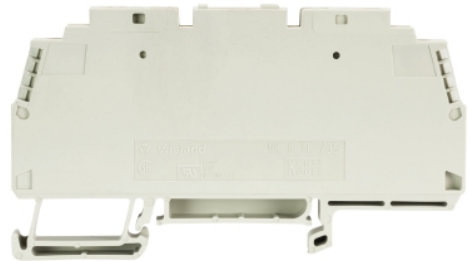


## Data sheet

Commercial Art.No.: 56.106.0553.0

Measuring-disconnecting terminal WK 6 TK/35

Current transformer disconnect terminal blocks with screw connection for mounting on TS 35, nominal cross section 6 mm<sup>2</sup>, width 8 mm, color gray



Certificates / Approvals



## Technical data

### General

Nominal cross section	6 mm <sup>2</sup>
Color	Grey
Number of levels	1
Number of clamp positions per level	2
Width/grid dimension	8 mm
Insulating housing	PA666
Inflammability class of insulation material acc. with UL94	V0
Mounting method	DIN rail (top hat rail) 35/7.5 mm
Terminal blocks for electrical installations	Yes

### Technical data

Rated current	32 A
Rated voltage	500 V
Rated impulse voltage	6 kV
Pollution degree	3
Closing plate required	No
Type of insulation material	Thermoplastic
Length	87 mm

### Connection Data

Connection type 1	Screw connection
Connection type 2	Screw connection
Minimum cross section solid	0.5 mm <sup>2</sup>
Maximum cross section solid	10 mm <sup>2</sup>
Minimum cross section fine stranded	0.5 mm <sup>2</sup>
Maximum cross section fine stranded	6 mm <sup>2</sup>
Wire strip length	12 mm
Torque conductor mounting	0.8 Nm

### Technical Data UL/CSA

Cross section UL	20-8 AWG
------------------	----------

Voltage UL	600 V
Current factory wiring	45 A
Current field wiring	45 A
Cross section CSA	20-8 AWG
Voltage CSA	300 V
Current CSA	45 A

**Note**

Integrated test socket	No
------------------------	----

**Classification**

ECLASS 11	
ECLASS 8.1	27141126
ETIM 7.0	EC000902
ETIM 6.0	EC000902
ETIM 5.0	EC000902
ETIM 4.0	EC000902
ETIM 3.0	EC000902

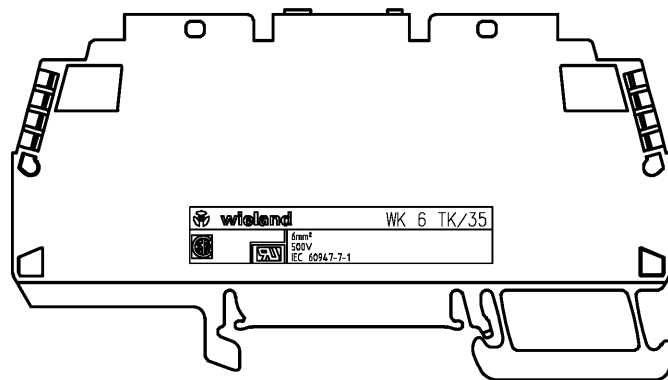
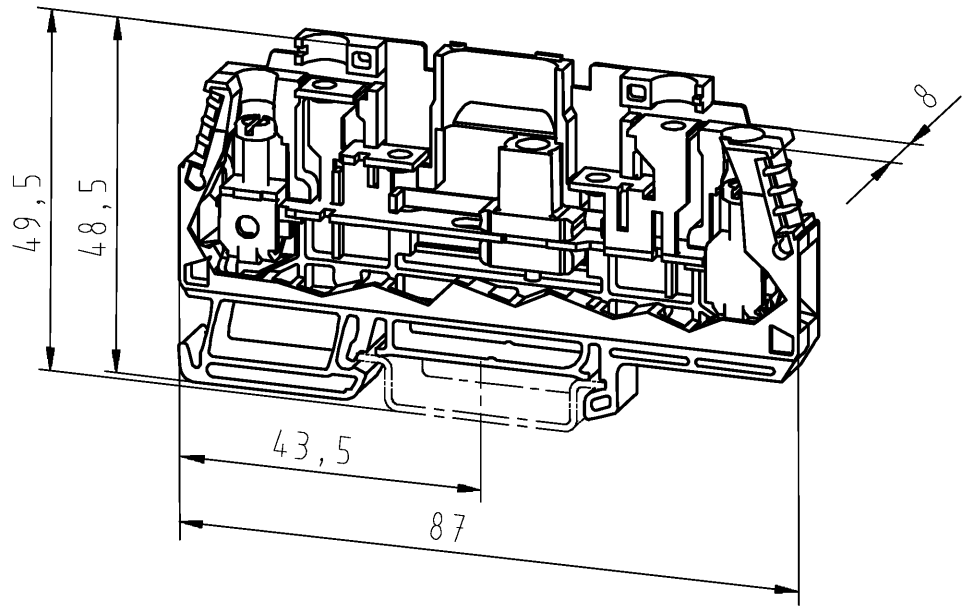
**Product compliance**

ROHS conformity status	Compliant
REACH-SVHC conformity status	Compliant

A Weitergabe sowie Vervielfältigung dieses Dokuments, Verwertung und Mitteilung seines Inhalts sind verboten, soweit nicht ausdrücklich gestattet.  
The reproduction, distribution and utilization of this document as well as the communication of its contents to others without express authorization is prohibited.

B These dimensions will be especially checked at delivery  
Only inspection dimensions  
With /E marked dimensions are only valid for internal use

Ansicht ohne Abdeckung  
view without plate



Technische Daten  
Technical Data

	VDE	UL	CSA
Bemessungsspannung V rated voltage	500	600	300
Bemessungsstrom A rated current	41	45	45
Anschlußbereich max. mm <sup>2</sup> /AWG connection range	10	8	8
Bemessungsquerschnitt 6mm <sup>2</sup> rated cross-section 6mm <sup>2</sup>			
Brennbarkeitsklasse UL 94 V-0 flamability rating UL 94 V-0			
Verschmutzungsgrad 3/Überspannungskategorie III pollution degree 3/overvoltage category III			

D Diese Maße werden bei Abnahme besonders geprüft  
Ausschließlich Prüfmaße  
Mit /E gekennzeichnete Maße sind nur für interne Zwecke gültig

Weitere Daten siehe KATALOG oder eKatalog  
additional data see CATALOG or eCATALOG  
www.wieland-electric.com  
eshop.wieland-electric.com

Tolerierung Size ISO 14405 © / Tolerance system Size ISO 14405 ©.  
principle the deviations of form and parallelism are limited by the size tolerances). ja/yes  Stoffverbots- und Deklarationsliste nach WN 5020.010 ist einzuhalten.  
Conformity with Wieland document WN 5020.010 e (list of prohibited / declarable hazardous substances) to be declared!

Freitoleranz nach General tolerance CAD - Zeichnung, keine manuellen Änderungen CAD - drawing, no manual modifications allowed 1. Verwendung: First Use: Blatt: 1 von 1 Sheet: of 1

Werkstoff / Material	Tag/Date	Name	Zeichnung Nr. / Drawing No.	Index
Farbe: grau, ähnl. RAL 7032 colour: grey, sim. to RAL 7032	13.05.2003	Schnitt	56.106.0553.0 01K	a
Maßstab / Scale 1:1	gezeichnet drawn	geprüft checked	Maße in mm / Dimensions are in mm	
Vol. mm <sup>3</sup> / ofl./Srf. mm <sup>2</sup>	Normgepr. Stand. check	Ersatz für / Replacement for:		

Änderung / Revision	www.wieland-electric.com	Type WK6 TK/35	Benennung/Titel MESS-TRENNKLEMME test-disconnect-terminal
a 26.11.2019 / Index Datum / Blatt Date / Sheet			