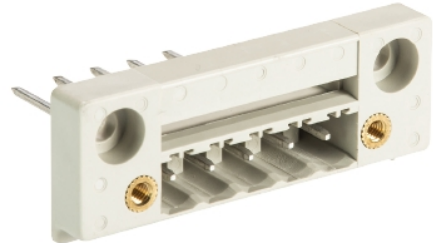


Data sheet

Commercial Art.No.: 25.313.0553.0

Panel header 8213 S / 5 DFWW M

Feed Through-Pin Header, 5 -pole, with wire-wrap connection, without marking, pitch: 5,08 mm, series: 8214 S / 5 DFWW M



Commercial Art.No.	25.313.0553.0
EAN	4015573343474
Order Unit	50

Certificates / Approvals



Technical data

General

Modular spacing	5.08 mm
Connection type	Soldering connection
Soldering process	None
Packaging	Carton
Number of poles	5
Number of levels	1
Marking	No
Fastening	Flange
Mating direction towards (circuit) board	None

Technical data

Rated current	6.5 A
Overvoltage Category I	1000 V
Overvoltage Category II	400 V
Overvoltage Category III	250 V
Rated impulse voltage	4 kV

Technical Data UL/CSA

Voltage UL	300 V
Current field wiring	6.5 A
Current factory wiring	6.5 A
Voltage CSA	300 V
Current CSA	6.5 A

Other

Type of insulation material	Thermoplastic
-----------------------------	---------------

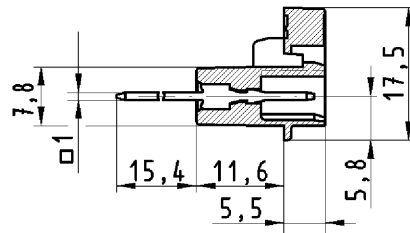
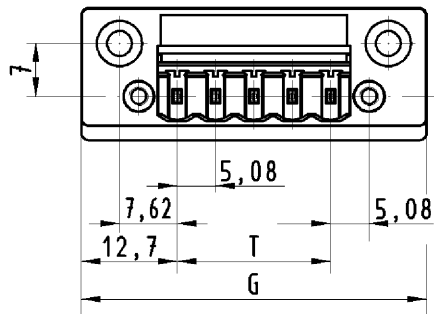
Color	Grey
Height	17.5 mm
Length	45.72 mm
Depth	17.1 mm
Material contact base	CuSn
Material contact surface	Sn

Classification

ECLASS 8.1	27440402
ETIM 7.0	EC002637
ETIM 6.0	EC002637
ETIM 5.0	EC002637
ETIM 4.0	EC002637

Product compliance

ROHS conformity status	Compliant/Exempted
ROHS exceptions	III-6(c)
REACH-SVHC conformity status	Duty-To-Declare
REACH-SVHC substances	Lead
REACH-SVHC CAS numbers	7439-92-1



für folgende Tabellen-Zchnng.:

25.303.0253.0 8213 S/... DFWW
25.313.0253.0 8213 S/... DFWW M

STIFTLLEISTE DURCHFÜHRUNG

25.313.0253.0 10W

16.11.2007 SCJ

M 1:1