



## Data sheet

Commercial Art.No.: 02.125.4329.8

Female contact D 1,6- 0,75-1,0 QMM

Female contact, turned Ø 1,6 mm, 0,75-1 mm<sup>2</sup>, AWG 18, Ag



Commercial Art.No.	02.125.4329.8
EAN	4015573450707
Order Unit	100

Certificates / Approvals



## Technical data

### General

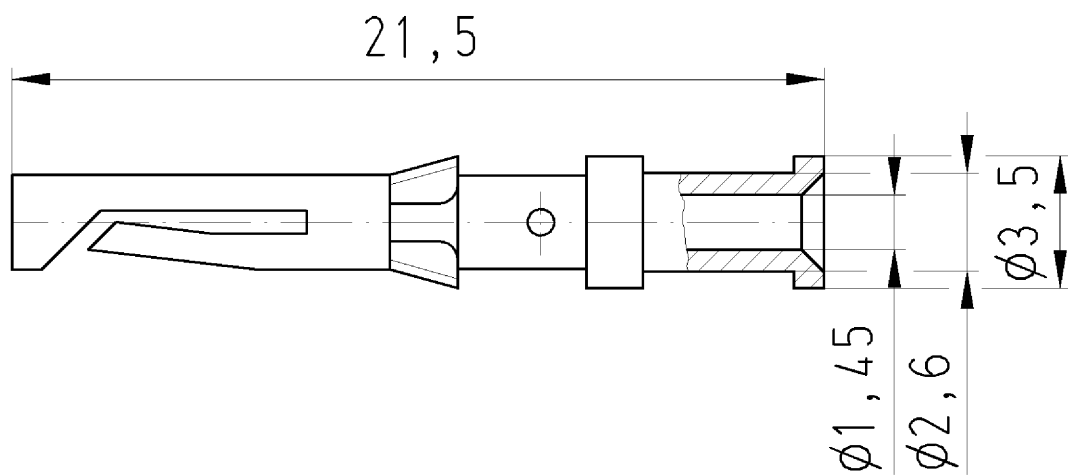
Model	Bus connection
Wire strip length	8 mm
Min. conductor cross section flexible wire	0.75 mm <sup>2</sup>
Max. conductor cross section flexible wire	1 mm <sup>2</sup>
Min. UL/CSA wire diameter flexible wire	18 AWG
Max. UL/CSA wire diameter flexible wire	18 AWG
Connection type	Crimp
Material	Brass
Massive contact	Yes
Contact pin diameter	1.6 mm
Surface	Silver-plated
Inflammability class of insulation material acc. with UL94	Other
Contact resistance	≤ 5 mOhm

### Classification

ECLASS 11	
ECLASS 8.1	27440204
ETIM 7.0	EC000796
ETIM 6.0	EC000796
ETIM 5.0	EC000796
ETIM 4.0	EC000796

### Product compliance

ROHS conformity status	Compliant/Exempted
ROHS exceptions	III-6(c)
REACH-SVHC conformity status	Duty-To-Declare
REACH-SVHC substances	Lead
REACH-SVHC CAS numbers	7439-92-1



Buchsenkontakt  
02.125.4329.8

Zeichnungsnummer  
02.125.4329.8.010W  
Buchsenkontakt

22.08.2008  
Hoffmann Angelika  
M 5:1