



[About us](#) | 
 [Investor relations](#) | 
 [News](#) | 
 [Careers](#) | 
 [Login](#) | 
 [Legal](#) | 
 [Site index](#) | 
 [eNews](#) | 
 [RSS feed](#)


## Home

## Products : DACs

### Products

[DACs](#)

[ADCs](#)

[myZone™ ANC](#)

[CODECs](#)

[Audio Hubs](#)

[Imaging ADCs](#)

[S/PDIF Transceivers](#)

[True Mics](#)

[Power Management](#)

[Audio Amplifiers](#)

[Sonaptic Sound™](#)

[Product archive](#)

[Applications](#)

[Technology](#)

[Support](#)

[Order online](#)

[Samples online](#)

[Advanced search](#)

[Parametric search](#)

[Contact us](#)

[English](#)

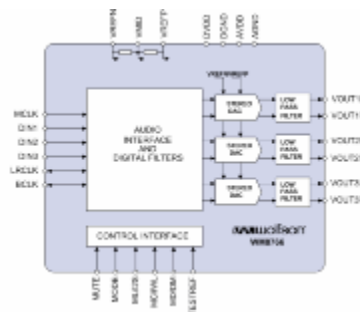
[日本語](#)

[中文](#)

[한국어](#)

[Top](#)

## WM8766 : 6-channel DAC with volume control



### DESCRIPTION

The WM8766 is a multi-channel audio I/DVD and surround sound processing a home hi-fi, automotive and other audio equipment.

Three stereo 24-bit multi-bit sigma delta used with oversampling digital interpolate Digital audio input word lengths from 16 sampling rates from 8kHz to 192kHz ar Each DAC channel has independent di and mute control.

The audio data interface supports I<sup>2</sup>S, I right justified and DSP digital audio forr

The device is controlled either via a 3 w interface or directly using the hardware These interfaces provide access to feal channel selection, volume controls, mu emphasis and power management facil device is available in a 28-pin SSOP.

### FEATURES

- ▶ 6-Channel DAC
- ▶ Audio Performance
- ▶ 103dB SNR ('A' weighted @ 48kHz) DAC
- ▶ DAC Sampling Frequency: 8kHz - 192kHz
- ▶ 3-Wire SPI Serial or Hardware Control Interface
- ▶ Programmable Audio Data Interface Modes
- ▶ I<sup>2</sup>S, Left, Right Justified or DSP
- ▶ 16/20/24/32 bit Word Lengths
- ▶ Three Independent stereo DAC outputs with independent digital volume controls
- ▶ Master or Slave Audio Data Interface
- ▶ 2.7V to 5.5V Analogue, 2.7V to 3.6V Digital Supply Operation
- ▶ 28 pin SSOP Package

[About us](#) | 
 [Investor relations](#) | 
 [News](#) | 
 [Careers](#) | 
 [Login](#) | 
 [Legal](#) | 
 [Site inde](#)