



Product Number: 950-SLS/06
Plug-in Screw Connector System for Printed Circuit Boards
TYPE 950-SLS
5 mm spacing - 2 to 24 poles



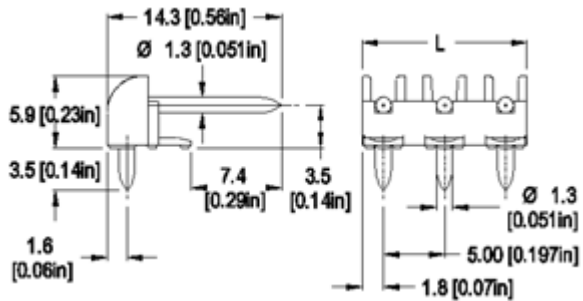
950-SLS



One possible variation of assembly



RoHS WEEE Pb free surface compliant



Dimensions: mm (in.)

Length of Connector (L)

$L = (\text{No. of Poles} \times \text{Center to Center Spacing}) - 1.5 \text{ mm}$

When locating connector, allow 0.5 mm clearance around it for process-induced variations.

Description

- Pinstrip
- Plug-In Direction Parallel to PCB and Wire Entrance Perpendicular to PCB when plugged with 950-FL-DS

Technical Data

Center to Center Spacing: 5 mm (0.197 in.)

Recommended Hole Diameter in PC Board: 1.6 mm (0.063 in.)

Material

Molding: PBT GF (glass fiber reinforced), self extinguishing UL 94, V-0, color black

Temperature limits:

Short Time: 200°C (392°F)

Continuous: RTI 105°C (221°F)

Low Limit: -40°C (-40°F)

Comparative Tracking Index: CTI≥600V

Oxygen Index Rating: 32%

Solder Pin: solder side: 1.3 mm (0.052 in.), plug-in side: 1.3 mm (0.052 in.), Tin plated copper alloy