

Printview: COMPACT splicing connectors for all wire types; 2-conductor terminal block; with operating levers; Max. operating temperature 85°C - Item No.: 221-412

**WAGO**® online catalog / eShop

**COMPACT splicing connectors for all wire types; 2-conductor terminal block; with operating levers; Max. operating temperature 85°C**



Item No.: 221-412

COMPACT splicing connectors for all wire types; 2-conductor terminal block; with operating levers; Max. operating temperature 85°C

### Marking

RoHS ✓  
Compliant

### Business data

|                      |               |
|----------------------|---------------|
| Supplier             | WAGO          |
| Item no.             | 221-412       |
| GTIN / EAN           | 4050821808435 |
| Content              | 1             |
| Order amount         | 100           |
| Customer item number |               |

### Notes

### Technical data

#### Miscellaneous

|                                   |             |
|-----------------------------------|-------------|
| Total number of connection points | 2           |
| Total number of potentials        | 1           |
| Color                             | transparent |
| Ratings according to 1            | EN 60664    |
| Pollution degree (1)              | 2           |
| Rated voltage EN (1) [V]          | 450 [V]     |
| Rated surge voltage (1) [kV]      | 4 [kV]      |
| Nominal current [A]               | 32 [A]      |

Printview: COMPACT splicing connectors for all wire types; 2-conductor terminal block; with operating levers; Max. operating temperature 85°C - Item No.: 221-412

| Technical data                |  |
|-------------------------------|--|
| Connection technology (1)     | CAGE CLAMP®                                |
| Nominal cross section 1       | 4 mm <sup>2</sup>                          |
| Solid sizes 1                 | 0.2 ... 4 mm <sup>2</sup> / 24 ... 12 AWG  |
| stranded, connectable 1       | 0.2 ... 4 mm <sup>2</sup> / 24 ... 12 AWG  |
| Fine-stranded wires 1         | 0.14 ... 4 mm <sup>2</sup> / 24 ... 12 AWG |
| Strip length 1                | 11 mm / 0.43 in                            |
| Type of wiring                | Side-entry wiring                          |
| Flammability rating per UL 94 | V2   |
| Fire load [MJ]                | 0.026 [MJ]                                 |
| Weight [g]                    | 1.6 [g]                                    |
| Width                         | 13.1 mm / 0.516 in                         |
| Height                        | 8.3 mm / 0.327 in                          |
| Length                        | 18.6 mm / 0.732 in                         |
| Safety information 1          | In grounded power lines                    |

| Approbation |              |                  |             |             |                                       |
|-------------|--------------|------------------|-------------|-------------|---------------------------------------|
| Item No.    | Registration | Registration no. | Voltage [V] | Current [A] | Cross section [mm <sup>2</sup> , AWG] |
| 221-412     | CCA          | 2168803.01       | 450         | 32          | 0.20-4.00                             |

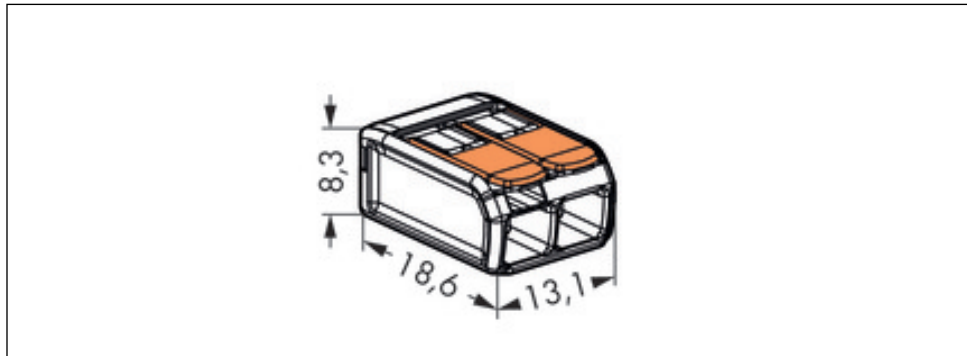
Printview: COMPACT splicing connectors for all wire types; 2-conductor terminal block; with operating levers; Max. operating temperature 85°C - Item No.: 221-412

---

## Images & drawings







### Address

WAGO Kontakttechnik GmbH & Co. KG

Hansastr. 27

32423 Minden

Telefon: 0571/887-0

Fax: 0571/887-169

<http://www.wago.com>

© WAGO Kontakttechnik GmbH & Co. KG

Technische Änderungen und Irrtümer vorbehalten.