

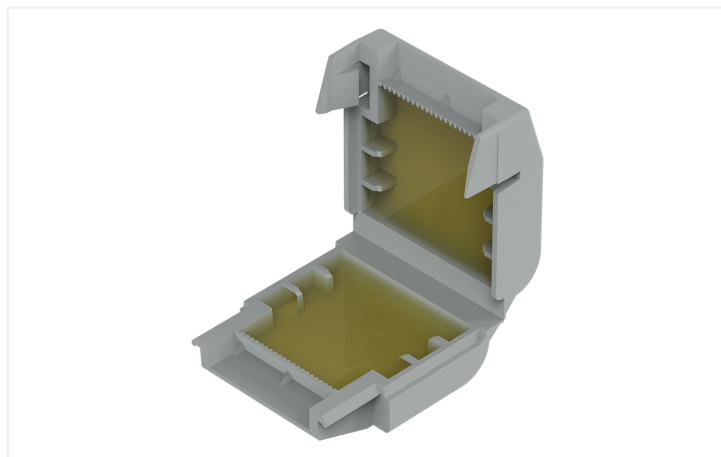
**Data Sheet | Item Number: 207-1331**

Gelbox; Branch; for cables; with gel; 221, 2x73 Series; max. 4 mm<sup>2</sup> connectors; without splicing connectors; Size 1; gray

<https://www.wago.com/207-1331>



Color: ■ gray



Note on Packaging Unit (PU) and Subpackaging Unit (SPU):

If you order a full PU, you will receive our eco-friendly, sustainable cardboard blisters packed in a shelf-ready box.

If you order a quantity smaller than a full PU, you will receive the eco-friendly, sustainable cardboard blisters without a shelf-ready box.

Please refer to the system description for the splicing connectors that can be used.

Your benefits:

- Easy, fast and safe to use
- Can be used immediately and accessed again later
- Silicon-free
- Label-free
- Suitable for indefinite storage
- The complete system consisting of WAGO's gelboxes and splicing connectors has been VDE-tested and IPX8-certified.

## Connection data

### Connection 1

Actuation type	Locking system
----------------	----------------

## Physical data

Width	32 mm / 1.26 inches
Height	17.8 mm / 0.701 inches
Depth	33.6 mm / 1.323 inches

## Mechanical data

Design	Size 1
Mounting type	Flying leads
Protection type	IPX8
Suitable	für Verbindungsklemmen 4 mm <sup>2</sup>

## Material data

Note (material data)	<a href="#">Information on material specifications can be found here</a>
Color	gray
Housing material	Polypropylene
Fire load	0 MJ
Weight	12 g

## Environmental requirements

Ambient temperature (operation)	-55 ... +85 °C
Ambient temperature (storage)	0 ... +40 °C

## Commercial data

ETIM 8.0	EC001170
ETIM 7.0	EC001170
PU (SPU)	48 (4) pcs
Country of origin	DE
GTIN	4055143997799
Customs tariff number	85389099990

### Environmental Product Compliance

RoHS Compliance Status Compliant, No Exemption

### Approvals / Certificates

#### General approvals



Approval	Standard	Certificate Name
VDE VDE Prüf- und Zertifizierungsinstitut	EN 60998	400051938

#### Declarations of conformity and manufacturer's declarations

Approval	Standard	Certificate Name
EU-Declaration of Conformity WAGO GmbH & Co. KG	-	-
UK-Declaration of Conformity WAGO GmbH & Co. KG	-	-

### Downloads

#### Environmental Product Compliance

Compliance Search
Environmental Product Compliance 207-1331 <a href="#">↓</a>

### Documentation

System Description		
System Description 207 Series Gel boxes	pdf 1156.45 KB	<a href="#">↓</a>
System Description 207 Series Gel boxes	pdf 1191.37 KB	<a href="#">↓</a>

Bid Text		
207-1331	xml 3.58 KB	<a href="#">↓</a>
207-1331	docx 20.35 KB	<a href="#">↓</a>

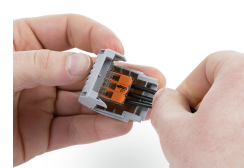
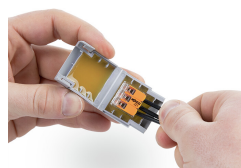
### CAD/CAE-Data

CAD data
2D/3D Models 207-1331 <a href="#">↓</a>

CAE data
ZUKEN Portal 207-1331 <a href="#">↓</a>

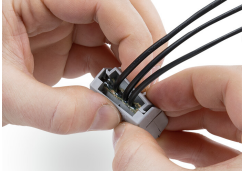
### Installation Notes

#### Installation



Open the Gelbox at the side latches.      Place the wired connector in the Gelbox.      Place the wired connector in the Gelbox.      Close the Gelbox.

Installation



Close latch securely.

Re-accessible:

- Open the Gelbox.
- Remove the gel.
- Rewire with new components.



Lift the flap and pull the cover perforation forward.



Press in the perforation on the sides.



Tear off the cover from the perforation.



As a counter display: Bend the rear flap at the fold, straighten it and fix it in the cardboard cut-out



If the flap is not required, tear off from the perforation.