



MODEL: M21A-0101

**TRU 21.5" DESKTOP MONITOR
SPECIFICATION**

Version 1.0

Date 05/20/2011

REVISION HISTORY

Version #	Implemented By	Revision Date	Approved By	Approval Date	Reason
1.0	Scott Ippel	05/20/2011			Initial Release

Touch Revolution is committed to continuous improvement of its product designs and performance. This document is therefore subject to change without notice. Please contact a customer representative to insure that you have the most current specification. Products are not intended for use in safety-critical or military/aerospace applications, and customer is responsible for all legal and regulatory requirements associated with use in such applications.

(c) Copyright 2010
TPK U.S.A. LLC
All Rights Reserved

TABLE OF CONTENTS

1	GENERAL SPECIFICATIONS.....	1
1.1	Display Specifications.....	1
1.2	Physical Specifications.....	2
1.3	Electrical Specifications.....	2
1.4	Touch Specifications.....	2
1.5	Environmental Specifications	3
1.6	Miscellaneous Specifications.....	3
2	MECHANICAL DRAWINGS.....	4
2.1	Overview Geometry	4
2.2	Mounting Options	5

1 GENERAL SPECIFICATIONS

1.1 DISPLAY SPECIFICATIONS

Characteristic	Value		Comment
LCD Size/Type	21.5" Diagonal TFT Active Matrix Panel		
Aspect Ratio	16:9		
Active Area	Horizontal	476.6 mm	
	Vertical	268.1 mm	
Pixel Pitch	Horizontal	.294 mm	
	Vertical	.294 mm	
Panel Resolution	1920 X 1080		Native
Display Modes	VGA 640 X 480 (60/66/70/72/75 Hz)		
	VGA 720 X 400 (70 Hz)		
	SVGA 800 X 600 (60/70/72/75 Hz)		
	XGA 1024 X 768 (60/70/75 Hz)		
	WXGA+ 1440 X 900 (60/75 Hz)		
	SXGA 1280 X 1024 (60/75 Hz)		
	WSXGA 1680 X 1050 (60 Hz)		
	1920 X 1080 (60 Hz)		
Display Color	16.7 Million		6 bits + HI-FRC
Contrast Ratio	1000:1		
Brightness	270 nits		Typical
Response Time	5 ms		Typical
Viewing Angle	Horizontal	170°	Typical
	Vertical	160°	
Video Input Format	RGB Analog 0.7V peak to peak		
Video Sync Format	Separated H&V Sync / Composite Sync / Sync-on Green		
Video Signal Input	D-sub 15 pin female (Analog) and DVI		

1.2 PHYSICAL SPECIFICATIONS

Characteristic	Value		Comment
Dimensions (Including Stand)	Width	538.5 mm	See Drawings in Section 2.1
	Height	338.8 mm	
	Depth	287.2 mm	
Net Weight	10.5 kg		
Shipping Weight	14.8 kg		

1.3 ELECTRICAL SPECIFICATIONS

Characteristic	Value		Comment
Power Supply	AC Input 100 ~ 240 V		
Power Consumption	Operating	42 W	Typical Value
	Sleep	3 W	
	Off	1 W	

1.4 TOUCH SPECIFICATIONS

Touch Technology		Projected Capacitive	
Touch Interface		USB (Type B)	
Multi-Touch Support		At least 2 unambiguous points	
Maximum Report Rate		75 points per second	
OS Supported	Native Support	Multi-Touch	Windows 7
		Single Touch	Windows Vista and Prior Versions of Windows (HID)
	Driver Support	Multi-Touch	All Windows, Linux (Ubuntu), Mac OS X, QNX Neutrino RTOS

1.5 ENVIRONMENTAL SPECIFICATIONS

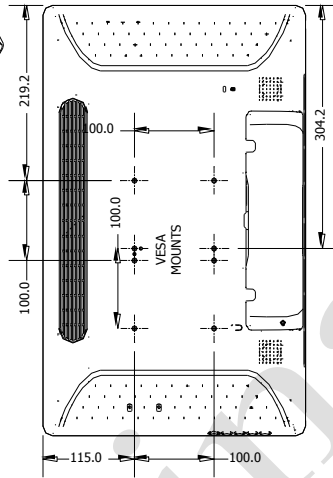
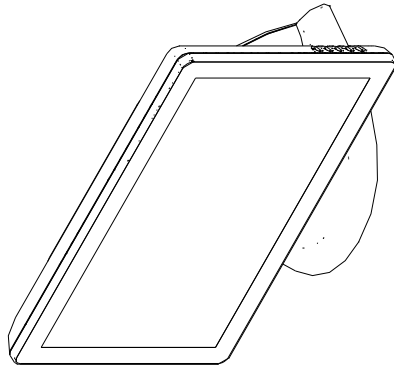
Condition		Specification
Temperature	Operating	0°C ~ +40°C
	Storage	-20°C ~ +60°C
Humidity	Operating	20% ~ 80%
	Storage	10% ~ 90%

1.6 MISCELLANEOUS SPECIFICATIONS

OSD Keys	Control Key	Power On/Off, Select, Down, Up
	OSD Options	Contrast, Brightness, Auto Adjust, Left/Right, Down/Up
		Horizontal Size, Fine, OSD Left/Right, OSD Down/Up
		OSD Timeout, Factory Reset, Language, RGB, Audio
Audio		2 Watt Speakers / 2 Channels
Plug & Play		DDC 2B Compatible
Compliance		TUV, CE, UL, CUL, FCC-B, RoHS, IPX1

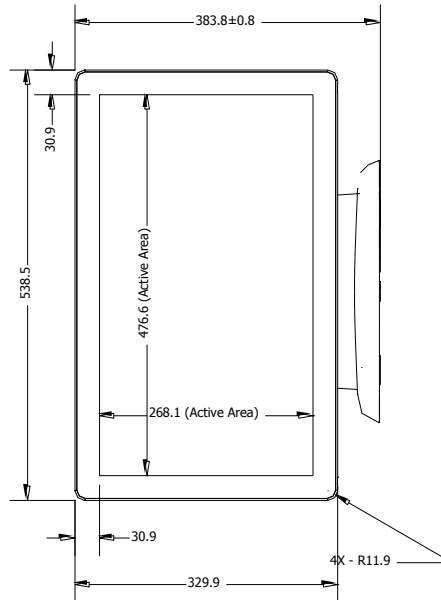
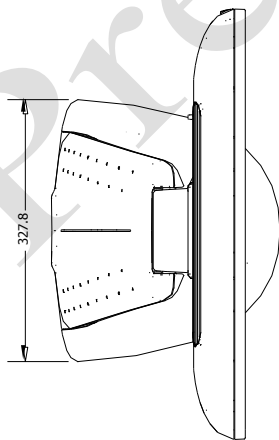
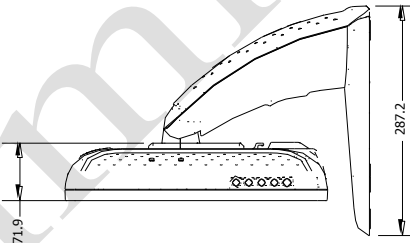
2 MECHANICAL DRAWINGS

2.1 OVERVIEW GEOMETRY



Tolerance Table	
Dimension Range	Tolerance (mm)
Under 25 mm	0.1
25.1 - 100 mm	0.2
100.1 - 250 mm	0.4
250.1 - 400 mm	0.8
400.1 - 500 mm	1.5
500.1 - 630 mm	2.0
630.1 - 800 mm	2.5

Note:
For the VESA mounts, the distance between the back cover surface and the bottom of the screw hole is 8 mm. Please use four M4 screws with the proper length to mount the monitor.



2.2 MOUNTING OPTIONS

