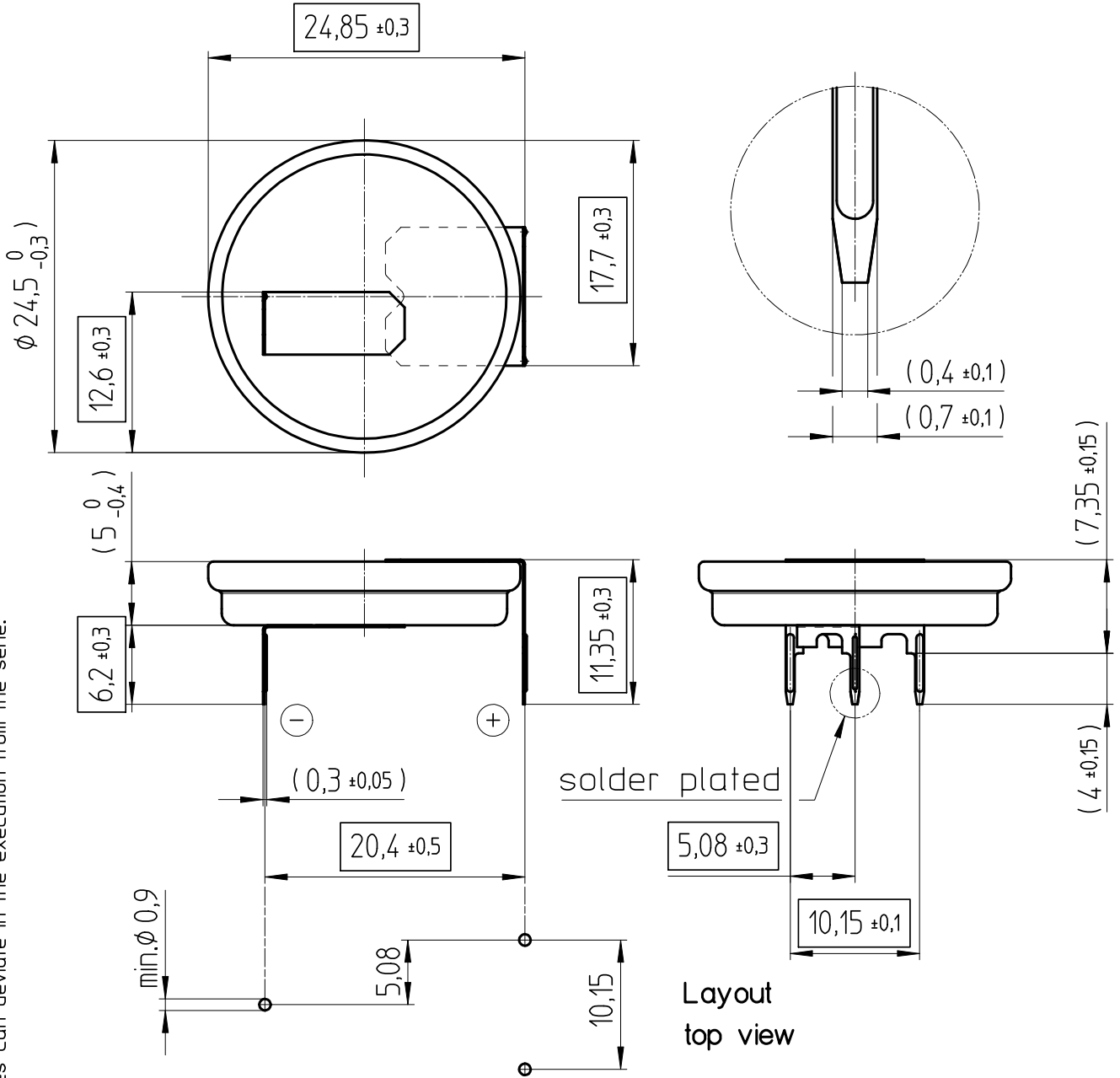


- Samples can deviate in the execution from the serie.



Tab material: Stainless steel

- Dimensions and tolerances can be specified only after the testing of the devices for the mass production definitely

All framed values will be used for dimension checking !

The Products of Renata SA are neither designed nor authorized for use in certain areas of application of environment.
For further details we refer to our webpage: www.renata.com/downloads/restriction_of_use

Rev. ①	13.09.2019	SRi	Rev. ☉	.	.		Customer's Approval		
Rev. ☉	.	.	Rev. ☉	.	.		Date		
Rev. ☉	.	.	Rev. ☉	.	.		Signature		
Titel: CR2450NRH1-LF						Scale 2:1	Drawn	05.01.05	SRi
							Checked	13.09.19	HSn
							Approved	16.09.19	MDi
renata batteries						CH-4452 Itingen Switzerland		3.8736.4-1	