



NOTICE: THE INFORMATION AND DESIGN CONTAINED HEREIN IS THE PROPERTY OF PULSE WHO RESERVES ALL RIGHTS THERETO.

NOTES: UNLESS OTHERWISE SPECIFIED

- 1. THIS COMPONENT CONFORMS TO UL60950. UL FILE NO. E216117

	WARNING:	THIS COMPONENT IS RECOGNIZED BY ONE OR MORE SAFETY AGENCIES SUCH AS UL, VDE, CSA AND/OR TUV. ALL ENGINEERING CHANGES MUST HAVE PRIOR APPROVAL BY THE DESIGN CENTER QUALITY DEPARTMENT FOR SAFETY AGENCY COMPLIANCE.	ECN APPROVAL:
			QA APPROVAL:
			DATE:

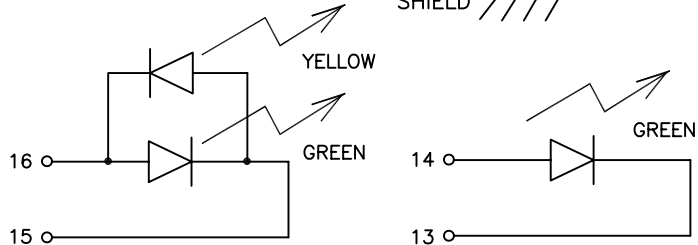
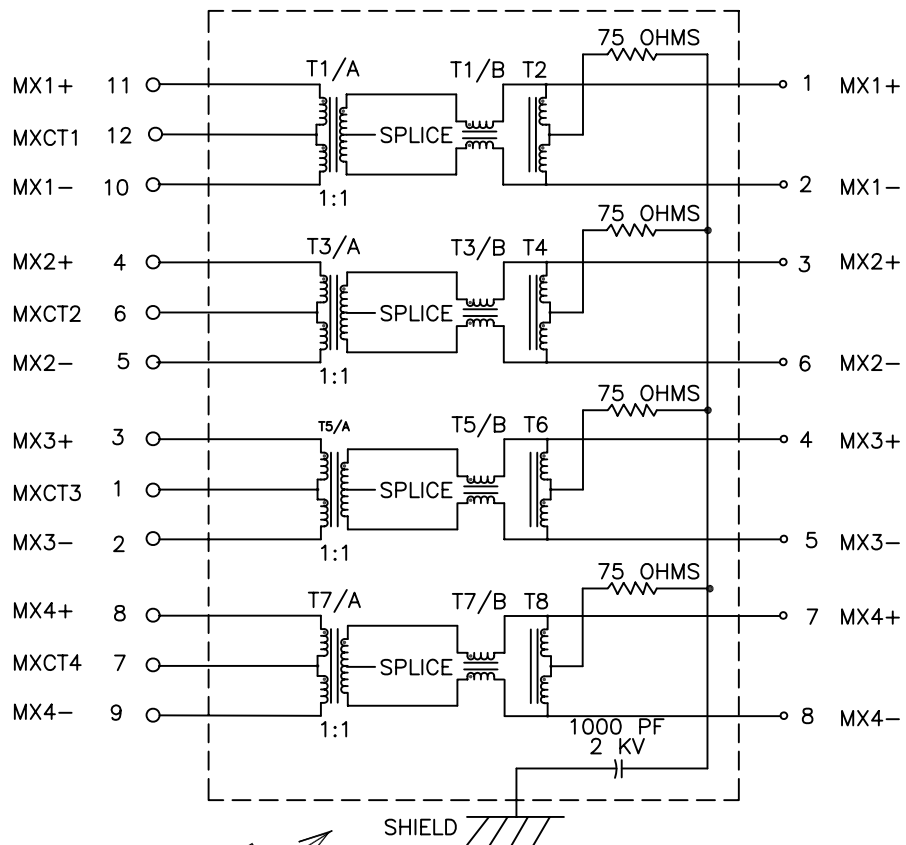
	NOTICE:	THIS IS A RoHS COMPLIANT COMPONENT/PRODUCT. ALL ENGINEERING CHANGES MUST HAVE PRIOR APPROVAL BY THE DESIGN CENTER.
	RoHS	

- 3. PLASTIC HOUSING: THERMOPLASTIC FLAMMABILITY RATING UL 94V0
- 4. CONTACT BASE MATERIAL: COPPER ALLOY
- 5. CONTACT UNDERPLATE: 30-50 uINCHES NICKEL
- 6. CONTACTS PLATING: 30 uNCH GOLD
- 7. SOLDER TAIL PLATING MATERIAL: 100% TIN, MATTE FINISH
- 8. METAL SHIELD: NICKEL PLATING ON COPPER ALLOY.
- 9. SOLDERABILITY: CONFORMS TO ANSI/J-STD-002, IPC/EIA J-STD-003A.
- 10. OPERATING TEMPERATURE: -0°C TO +70°C
- 11. STORAGE TEMPERATURE: -20°C TO +125°C
- 12. JEDEC MOISTURE: LEVEL 1

		DATASHEET	
TITLE CONN,RJ45,1X1,1GD,1:1,TY			
SIZE	CAGE CODE	DWG. NO.	REV.
B	01961	JK0654218ZNL	M11
SCALE	NONE	CADD FILE	SHEET 1 OF 6
		JK0654218ZNL-1	

JK0654218ZNL

NOTICE: THE INFORMATION AND DESIGN CONTAINED HEREIN IS THE PROPERTY OF PULSE WHO RESERVES ALL RIGHTS THERETO.



SCHEMATIC

ELECTRICAL CHARACTERISTICS:
(FOR REFERENCE ONLY. USED FOR CUSTOMER INFORMATION.)

Electrical @ 25°C

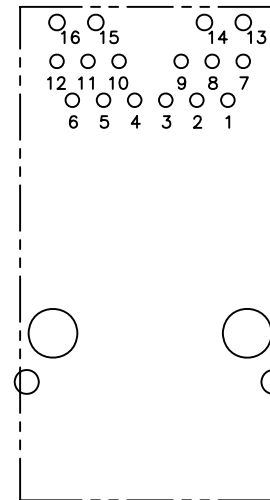
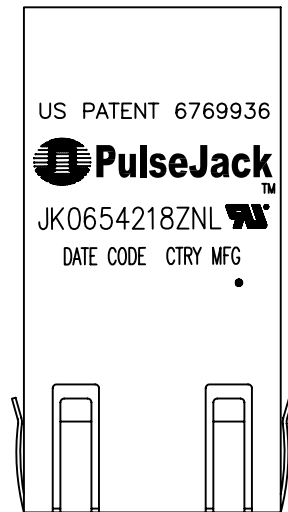
PARAMETER	SPECIFICATIONS	
	100 KHz	1-125 MHz
INSERTION LOSS	-1.2 dB MAX	-0.2-0.002*f ^{1.4} dB MAX
	.1-40 MHz	40-100 MHz
RETURN LOSS (Z OUT = 100 OHM ±15%)	-16 dB MIN	-10+20*LOG ₁₀ (f/80 MHz) dB MIN
	INDUCTANCE (OCL) (MEDIA SIDE, 0°C-70°C) 350 uH MIN (MEASURED AT 100 KHz, 100 mVRMS AND WITH 8 mA DC BIAS)	
CROSSTALK, ADJACENT CHANNELS	1 MHz	10-100 MHz
	-50 dB MIN	-55+22*LOG ₁₀ (f/10) dB MIN
COMMON MODE REJECTION RATIO	2 MHz	30-200 MHz
	-50 dB MIN	-15+20*LOG ₁₀ (f/200) dB MIN
DC RESISTANCE, 1/2 WINDING	.65 OHMS MAX	
DC RESISTANCE IMBALANCE	±.065 OHMS MAX (CENTER TAP SYMMETRY)	
INPUT - OUTPUT ISOLATION	1500 VRMS MIN @ 60 SECONDS	

NOTE: f IS FREQUENCY IN MHz.

SIZE	CAGE CODE	DWG. NO.	REV.
B	01961	JK0654218ZNL	M11
SCALE	CADD FILE	SHEET	
NONE	JK0654218ZNL-2	2 OF 6	

JK0654218ZNL

NOTICE: THE INFORMATION AND DESIGN CONTAINED HEREIN IS THE PROPERTY OF PULSE WHO RESERVES ALL RIGHTS THERETO.

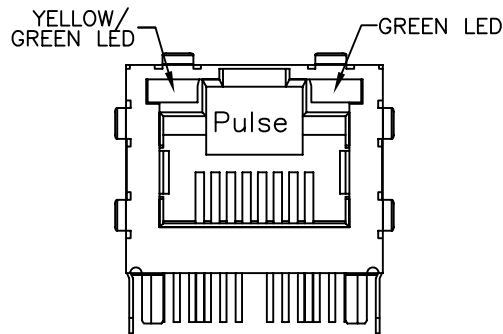


FRONT OF CONNECTOR

PCB PINOUT

COMPONENT SIDE SHOWN

TOP VIEW

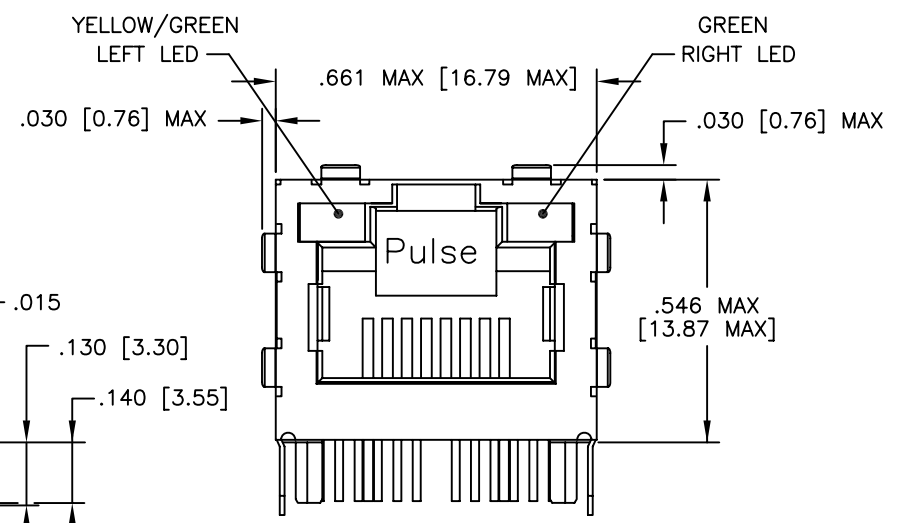
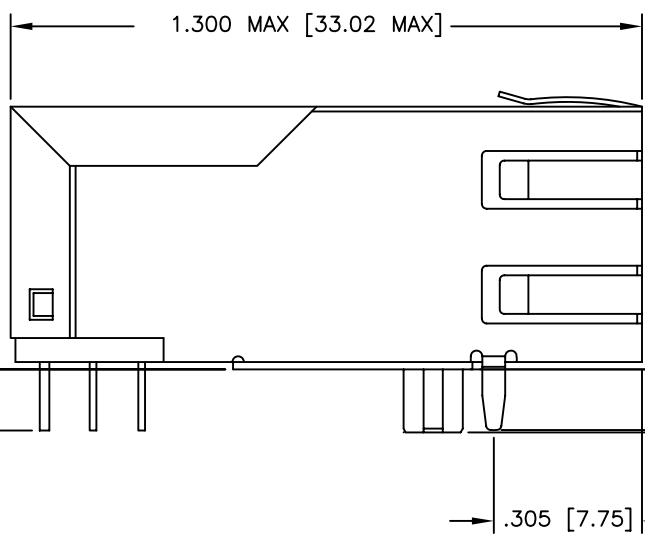
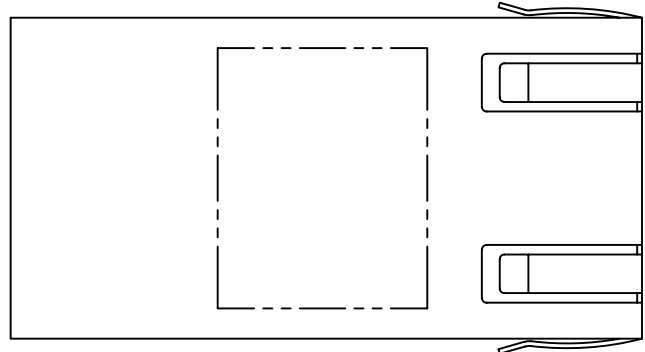


FINAL OULINE

SIZE	CAGE CODE	DWG. NO.	REV.
B	01961	JK0654218ZNL	M11
SCALE	CADD FILE	SHEET	
NONE	JK0654218ZNL-3	3 OF 6	

JK0654218ZNL

NOTICE: THE INFORMATION AND DESIGN CONTAINED HEREIN IS THE PROPERTY OF PULSE WHO RESERVES ALL RIGHTS THERETO.



UNLESS OTHERWISE SPECIFIED, ALL DIMENSIONS ARE IN INCHES TOLERANCES ARE:

DECIMALS .XXX ±0.010 ANGLES ± 1°

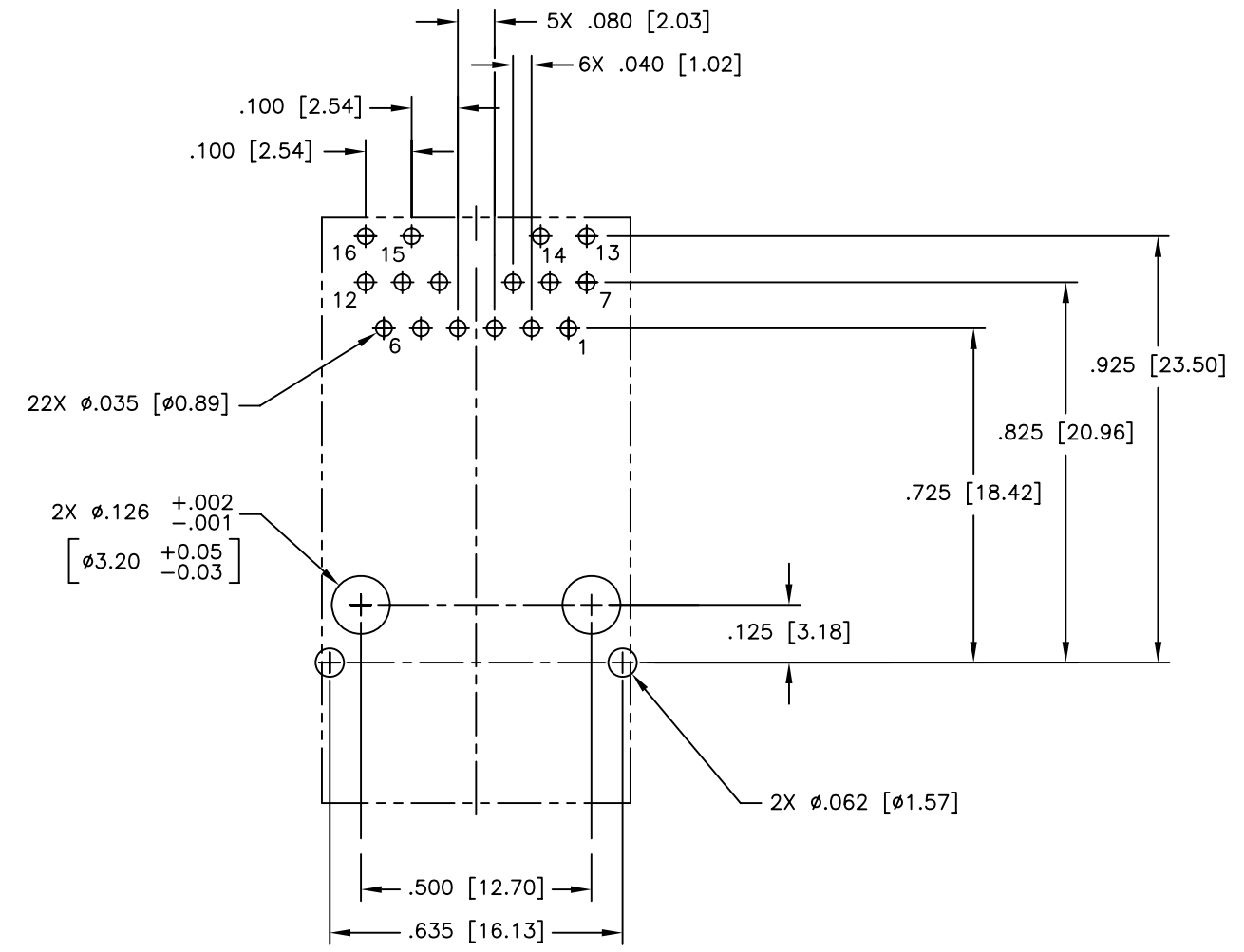
PS-2196.001-K

DO NOT SCALE DRAWING

SIZE	CAGE CODE	DWG. NO.	REV.
B01961		JK0654218ZNL	M11
SCALE	CADD FILE	JK0654218ZNL-4	SHEET 4 OF 6
NONE			

120C72004

JK0654218ZNL
 NOTICE: THE INFORMATION AND DESIGN CONTAINED HEREIN IS THE PROPERTY OF PULSE WHO RESERVES ALL RIGHTS THERETO.



FRONT OF CONNECTOR
 SUGGESTED PCB LAYOUT
 (COMPONENT SIDE SHOWN)

DIMENSIONAL TOLERANCE:
 .XXX ±.003 [X.XX ±0.08]

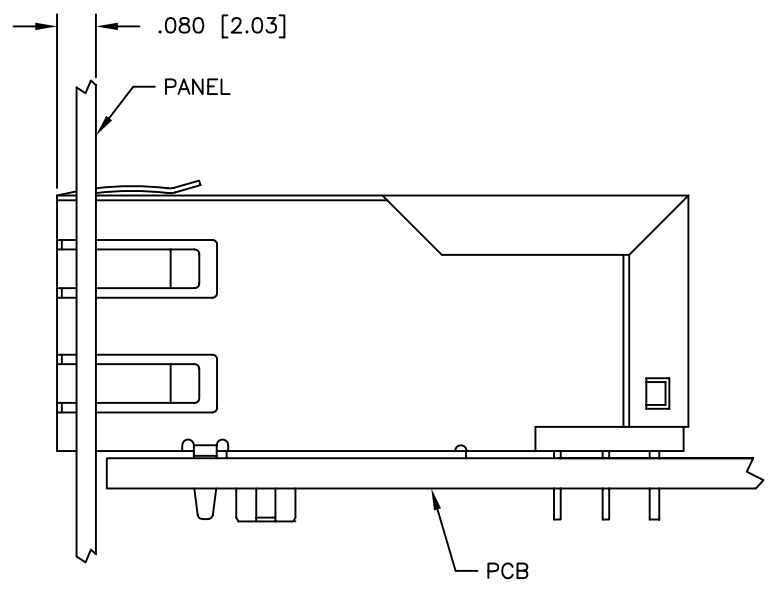
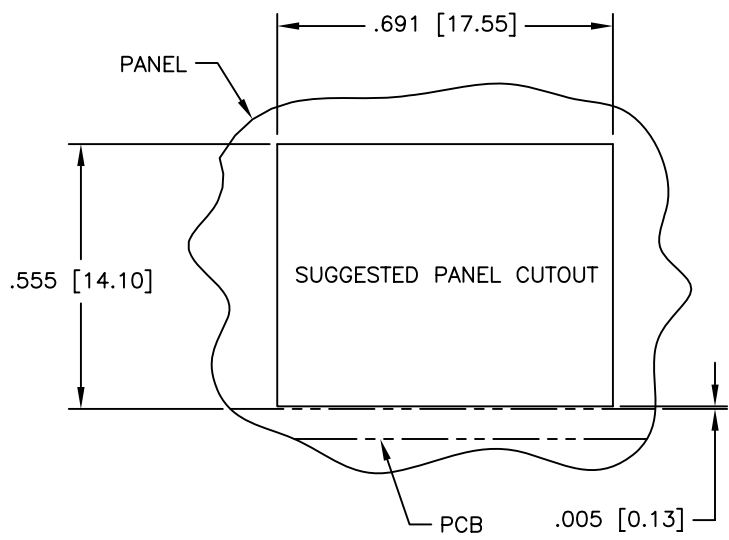
UNLESS OTHERWISE SPECIFIED, ALL DIMENSIONS ARE IN INCHES
 TOLERANCES ARE:
 DECIMALS ANGLES
 .XXX ±.010 ±1°

PS-2196.001-K
 DO NOT SCALE DRAWING

SIZE	CAGE CODE	DWG. NO.	REV.
B	01961	JK0654218ZNL	M11
SCALE	CADD FILE	JK0654218ZNL-5	SHEET 5 OF 6
NONE			

JK0654218ZNL

NOTICE: THE INFORMATION AND DESIGN CONTAINED HEREIN IS THE PROPERTY OF PULSE WHO RESERVES ALL RIGHTS THERETO.



SUGGESTED PANEL CUTOUT

120C72004

UNLESS OTHERWISE SPECIFIED, ALL DIMENSIONS ARE IN INCHES TOLERANCES ARE:

DECIMALS .XXX ±.010 ANGLES ± 1°

PS-2196.001-K

DO NOT SCALE DRAWING

SIZE B01961

DWG. NO.

JK0654218ZNL

REV. M11

SCALE NONE

CADD FILE

JK0654218ZNL-6

SHEET

6 OF 6