

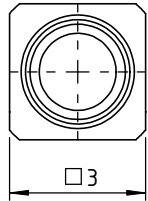
D

C

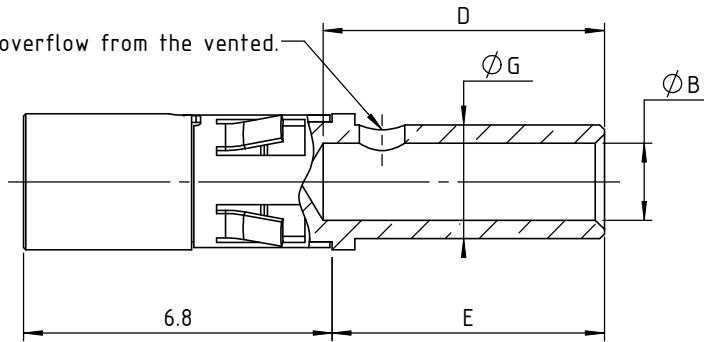
B

A

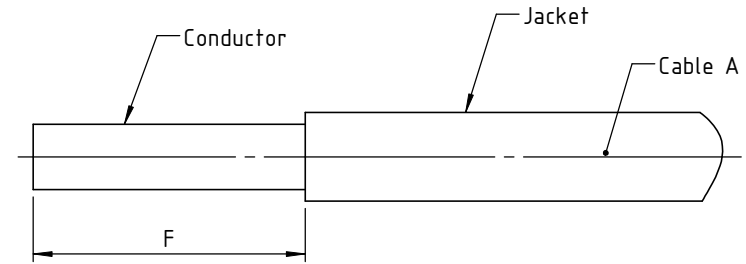
If soldering,
the solder must overflow from the vented.



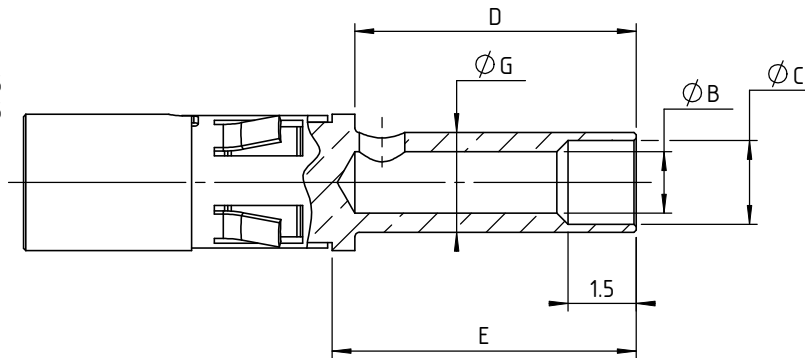
30-4310
30-4315
30-4320



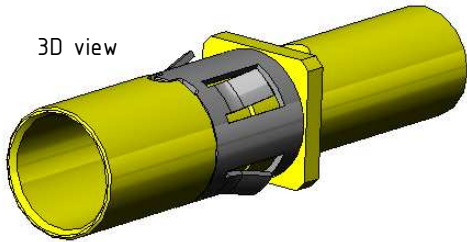
Recommended stripping :



30-4305
30-4305



3D view



TECHNICAL FEATURES for 30 HP CONTACTS

MATERIAL

- Body: Copper alloy / Ni + Au 0.5µ
- Retaining clip: Beryllium alloy / Ni 3µ

MECHANICAL

- Endurance: 500 cycles min. up to 2500.
- Insertion force: From 0.60 to 5N per contact
- Extraction force: From 0.50 to 2N per contact
- Secure overlapping: 1.30 mm
- Contact replacement: 5 cycles in insulator

ELECTRICAL

- Intensity: See table (depending on cable)
- Contact resistance: max. 6 mΩ
- Maximum voltage (sea level): 1000V (RMS)
- Operating voltage (sea level): 180 V AC/500 mA

30-43XX	Ampere max.	Cable A					ØB	ØC	Lenght D hole	Lenght E body	Lenght F conductor	ØG
		AWG20	AWG18	AWG16	AWG14	AWG12						
30-4305	5	X					1.1 mm	1.65 mm	6.2 mm	6.7 mm	4.5 mm	2.2 mm
30-4308	8		X				1.35 mm	1.85 mm				
30-4310	10	X	X	X			1.7 mm	NO	6 mm	6 mm	2.5 mm	3 mm
30-4315	15				X		2 mm					
30-4320	20					X	2.6 mm	5.5 mm	6 mm	5.3 mm	3.3 mm	

Tools recommended

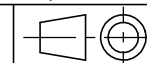
Recommended hand crimp tool AF8	16459
Recommended positionner for HP30	C16460

Crimping following cable instruction IC30HP02

 www.nicomatic.com Mail : nicomatic@nicomatic.fr Tel : +33 (0)4.50.36.13.85	2	28/09/10	C.G.	A.V.	E.M.
	Iss	Date	Drawn	Checked	Approved
Item : High power contact series 30 female on cable					

This document and drawings, sketches, and schematic drawings are the property of the NICOMATIC company, and no parts thereof may be reproduced and used without the written consent of the owner. Law dated 11.03.1902

Catalogue Reference : **30-43XX**



General tolerance ±0.2

Scale 6:1

Page 1/1

D

A4