

Type2BP UWB module

UWB Module

Ultra-small, high quality and lower power

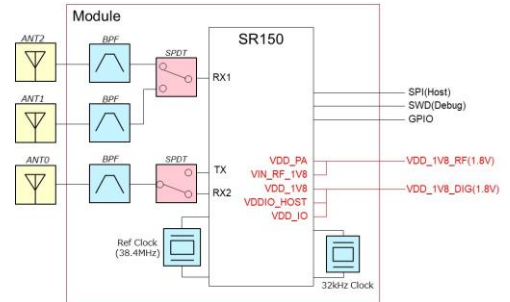
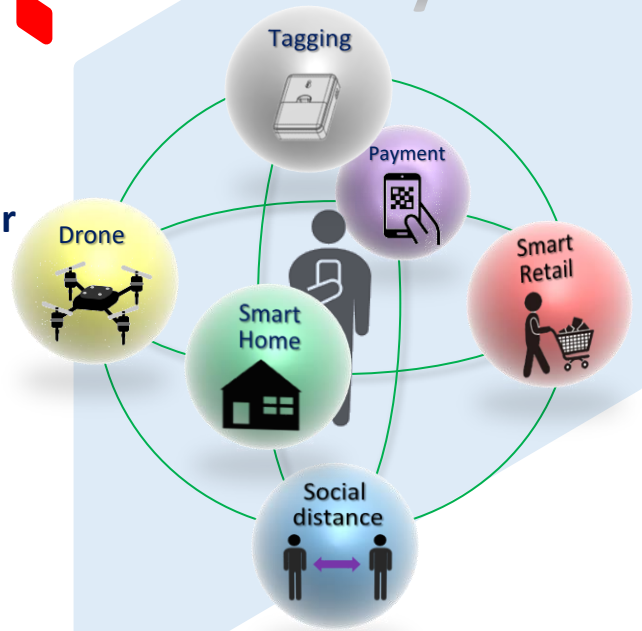
Module features channels 5 & 9, low current consumption. Ideally suited for IoT devices and applications which integrate UWB feature.

Features

- Chipset : NXP Trimension SR150
- UWB Channel 5, 9 support
- Interface : SPI
- 3 Antenna support (3D AoA or 2D AoA support)
- Reference clock and sleep clock embedded
- BPF (Band pass filter) integrated for regulatory certification
- Package: Resin mold + Conformal shield
- RoHS: This component can meet with RoHS compliance.

Benefits

- Smallest/highly integrated UWB module available in the market
- Tx power and Xtal calibrated for each device
- Evaluation board available for quick development start
- Design guide available for easy UWB adoption to IoT device
- FCC/IC, ETSI, TELEC Certified



P/N	LBUA0VG2BP-741
Main Chipset	NXP SR150
CPU Core	ARM Cortex-M33
RF technology	UWB Ch 5 & 9
Dimensions	6.6 x 5.8 x 1.2(max) mm
Package type	LGA
Supply Voltage (V)	1.8V
Target Accuracy	Ranging accuracy : +/- 10[cm] AoA accuracy : +/- 5[deg], within ±60°
Operating Temperature	-30 to 85 deg.C