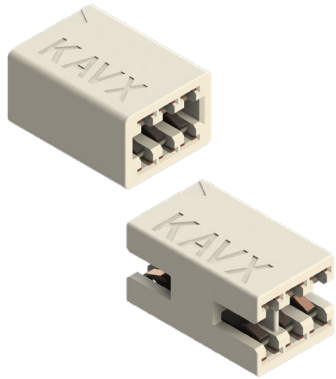


# LINEAR CARD EDGE WITH SPRING CONTACT 9159-7X0



## General Description



KYOCERA AVX Interconnect continues to develop unique connectors to fill the gap in the market. The newest addition to KYOCERA AVX's broadening line of one piece card edge connectors is the 2p-12p linear card edge version with spring contact 9159-700/760, which is extension of popular linear card edge versions 9159-000 and 9159-060. This new connector is with spring gold (or tin) plated BeCu contacts and provide high electrical and mechanical performance suitable for harsh environment like automotive. There are available two versions – closed side 9159-700 and open side 9159-760. Optionally is available plating option Sn.

The proven contact system has easy installation without soldering, enhanced reliability, signal integrity and 3A/contact current rating. The connector is designed for mating PCB board with 1.5mm (+/- 0.15mm) thickness and gold (or tin) plated pads.

### APPLICATIONS

Provides a one piece connector solution for linear PCB mating in applications :

- Automotive Lighting
- Transportation Lighting
- LED Lighting
- Industrial

### FEATURES AND BENEFITS

- Ruggedized linear card edge
- 3 Amps per contact current rating meets robust application requirements
- Gold (or tin) plated (nickel underplate) BeCu contact system for high reliability in harsh environments
- High electrical and mechanical performance
- Easy installation

### ELECTRICAL

- Current Rating: See Table Below
- Voltage Rating: 150VAC (RMS) or DC Equivalent

Series	Positions	Current (Amps)	
		UL	cUL
9159-760	4-8	2	2
9159-760	10-12	1.5	1.5
9159-700	4-8	2	1.7
9159-700	10-12	1.5	1.5

### ENVIRONMENTAL

- Operating Temperature: -40°C to +130°C
- Storage Temperature: -40°C to +80°C

### MECHANICAL

- Insulator Material : High temperature UL94V-0 rated
- Contact Material : Beryllium Copper Alloy
- Plating: Gold / Tin over Nickel
- Durability: Tin= 20 Cycles, Gold= 1,000 Cycles

### HOW TO ORDER - CARD EDGE CONNECTOR DOUBLE ENDED-CLOSED SIDES

<b>00</b>	<b>9159</b>	<b>0XX</b>	<b>701</b>	<b>X</b>	<b>1</b>	<b>X</b>
Prefix	Series	Number of Positions (See Page 151)	Model 701 = Closed sides & 1.50 Thick P.C.B.	Housing Color 9 = White (Standard) 8 = Black (Special Order)	Packaging 1 = Bulk (1,000 Parts Per Bag)	Plating 1 = Gold Flash 6 = Lead-Free Tin

### HOW TO ORDER - CARD EDGE CONNECTOR DOUBLE ENDED-OPEN SIDES

<b>00</b>	<b>9159</b>	<b>0XX</b>	<b>761</b>	<b>X</b>	<b>1</b>	<b>X</b>
Prefix	Series	Number of Positions (See Page 152)	Model 761 = Open sides & 1.50 Thick P.C.B.	Housing Color 9 = White (Standard) 8 = Black (Special Order)	Packaging 1 = Bulk (1,000 Parts Per Bag)	Plating 1 = Gold Flash 6 = Lead-Free Tin

Safety Standards: UL 1977-File #E90723

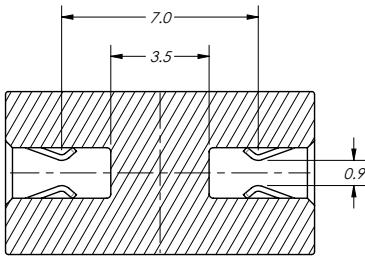
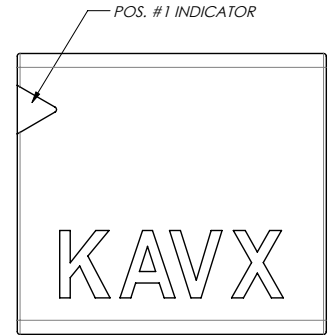
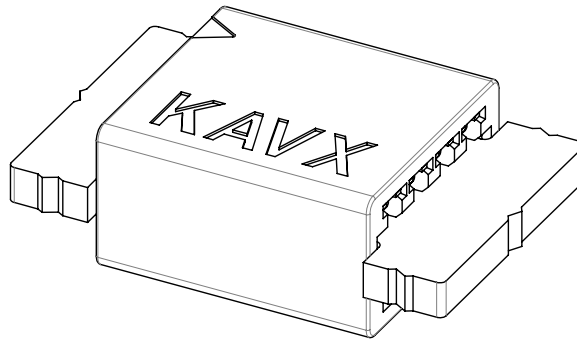
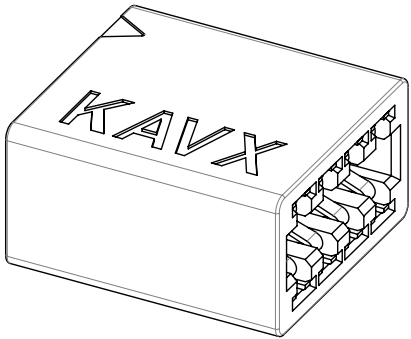


# Linear Card Edge with Spring Contact 9159-7X0

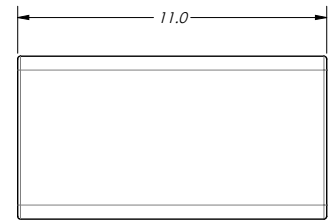
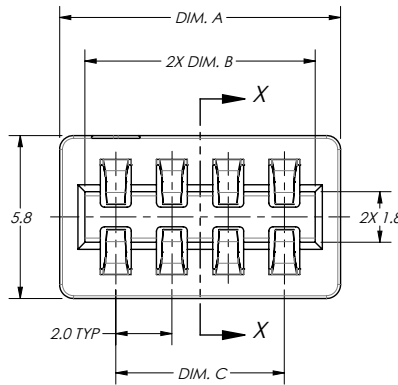
## Card Edge Connector Double Ended-Closed Sides



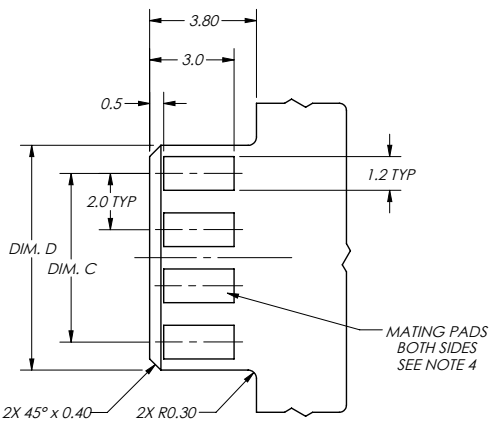
00-9159-0XX-701-X1X



SECTION X-X



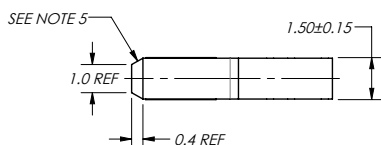
### PC BOARD LAYOUT



PARTNUMBER	SIZE	CONTACTS	DIM. A	DIM. B	DIM. C	DIM. D
00-9159-004-701-X1X	2 x 2	4	6.0	4.20	2.0	4.00
00-9159-006-701-X1X	2 x 3	6	8.0	6.20	4.0	6.00
00-9159-008-701-X1X	2 x 4	8	10.0	8.20	6.0	8.00
00-9159-010-701-X1X	2 x 5	10	12.0	10.20	8.0	10.00
00-9159-012-701-X1X	2 x 6	12	14.0	12.20	10.0	12.00

#### NOTES

1. HOUSING MATERIAL: HIGH TEMP. THERMOPLASTIC; FLAME RETARDANT PER UL94V-0; COLOR: SEE P.N. CODE.
2. CONTACT MATERIAL: HIGH STRENGTH COPPER ALLOY.
3. CONTACT PLATING: NICKEL UNDERPLATE ALL OVER; SEE P.N. CODE FOR CONTACT AREA PLATING.
4. PCB PADS TO MATCH CONTACT PLATING.
5. LEAD-IN CHAMFERS ARE STRONGLY RECOMMENDED.

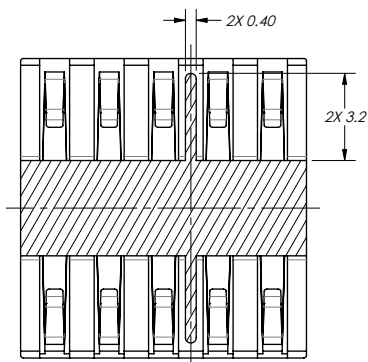
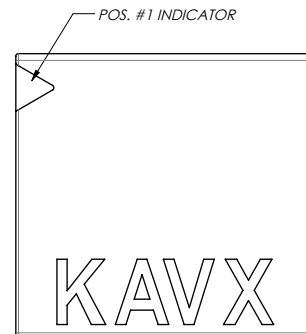
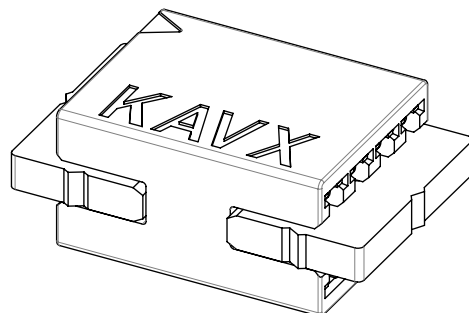
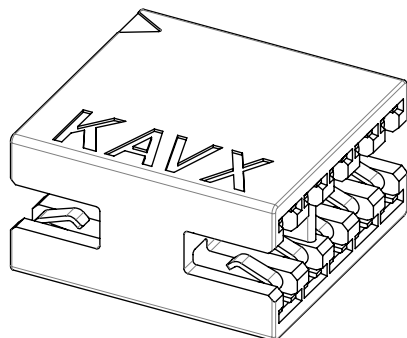


# Linear Card Edge with Spring Contact 9159-7X0

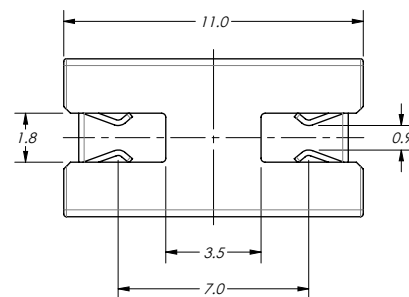
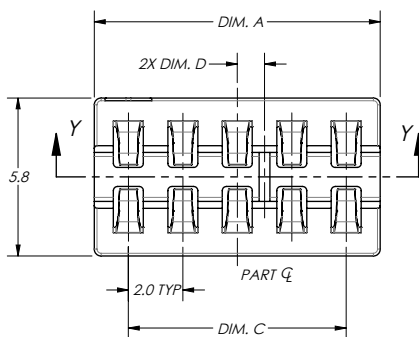
## CARD EDGE CONNECTOR DOUBLE ENDED-OPEN SIDES



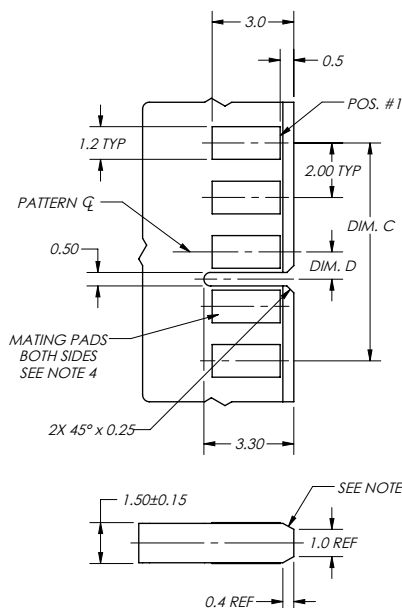
00-9159-0XX-761-X1X



SECTION Y-Y



### PC BOARD LAYOUT



PART NUMBER	SIZE	CONTACTS	DIM. A	DIM. C	DIM. D
00-9159-004-761-X1X	2 x 2	4	4.5	2.0	0.0
00-9159-006-761-X1X	2 x 3	6	6.5	4.0	1.0
00-9159-008-761-X1X	2 x 4	8	8.5	6.0	0.0
00-9159-010-761-X1X	2 x 5	10	10.5	8.0	1.0
00-9159-012-761-X1X	2 x 6	12	12.5	10.0	0.0

#### NOTES

1. HOUSING MATERIAL: HIGH TEMP. THERMOPLASTIC; FLAME RETARDANT PER UL94V-0; COLOR: SEE P.N. CODE.
2. CONTACT MATERIAL: HIGH STRENGTH COPPER ALLOY.
3. CONTACT PLATING: NICKEL UNDERPLATE ALL OVER; SEE P.N. CODE FOR CONTACT AREA PLATING.
4. PCB PADS TO MATCH CONTACT PLATING.
5. LEAD-IN CHAMFERS ARE STRONGLY RECOMMENDED.