

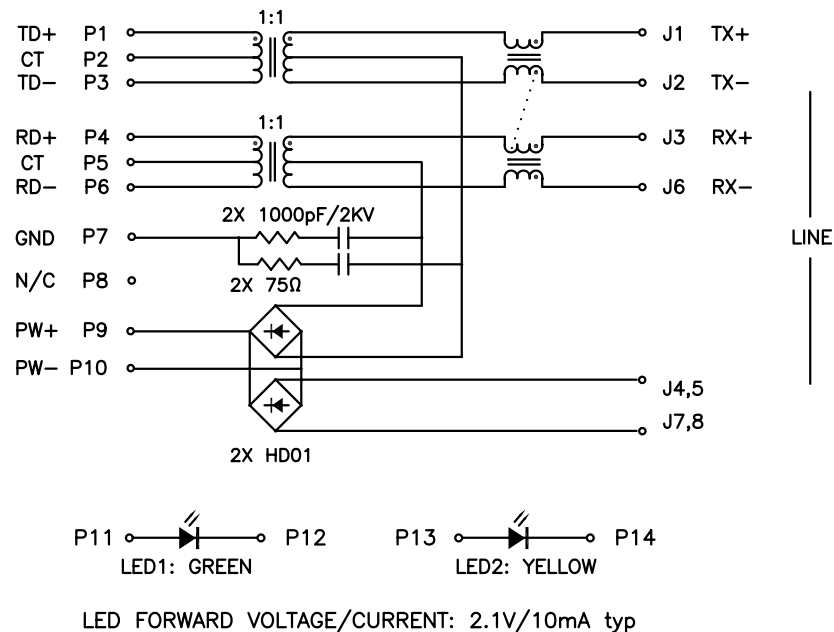
PART NO. : HFJT1-RP44-L12RL



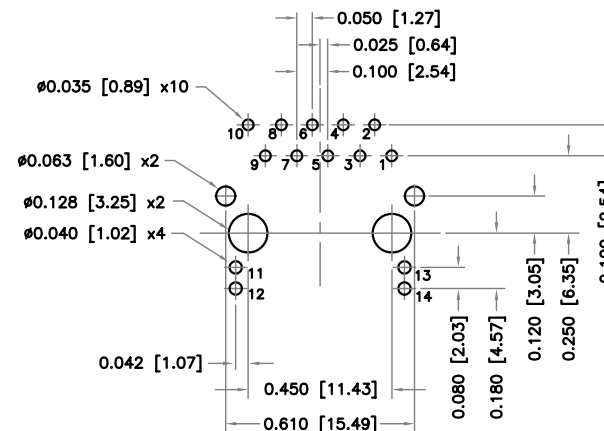
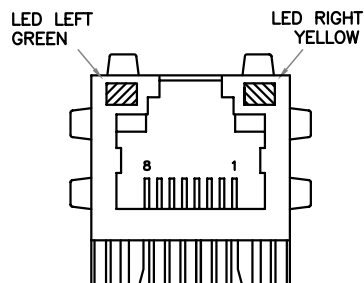
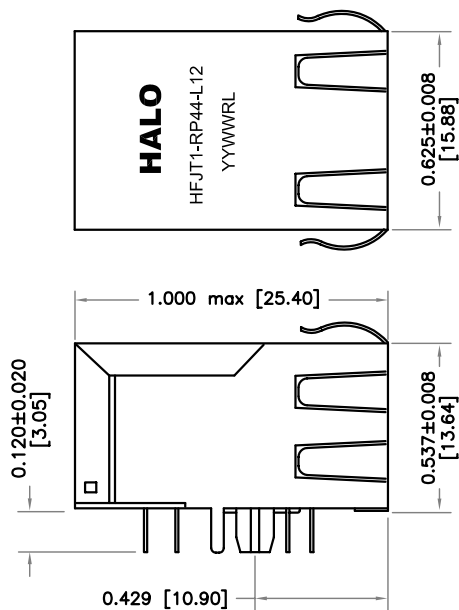
FASTJACK™ WITH 10/100BASE-TX MAGNETICS
 COMPLIANT TO IEEE802.3u STANDARDS
 DESIGNED FOR PoE, IEEE802.3af APPLICATIONS
 POWER ON USED OR UNUSED PAIRS FOR UP TO 350mADC
 LEAD-FREE/RoHS COMPLIANT
 COMPATIBLE TO LEAD-FREE WAVE SOLDERING PROCESS
 FOR THROUGH HOLE COMPONENTS
 OPERATING TEMPERATURE 0/70°C

ELECTRICAL SPECIFICATIONS @ 25° C

TURNS RATIO	
P1-P3:J1-J2,P4-P6:J3-J6	1CT:1 ±3%
OCL (100KHz,0.1Vrms,8mADC)	
P1-P3,P4-P6	350µH min
INSERTION LOSS	
0.1-100MHz	-1.1dB max
RETURN LOSS	
0.5-30MHz	-18dB min
40MHz	-15.5dB min
50MHz	-13.6dB min
60-80MHz	-12dB min
CROSSTALK 0.1-100MHz	
	-40dB typ
CMR 0.1-30MHz	
30-60MHz	-50dB typ
60-100MHz	-40dB typ
	-35dB typ
ISOLATION	
	1,500Vrms



HALO/PBL	TITLE FastJack™ TAB-UP		SIGNATURES		DATE	REV.	DESC.	DATE
	FOR FAST ETHERNET IEEE802.3af		DRAWN PETER LU		1/31/06	A		
	PART NO. HFJT1-RP44-L12RL		CHECKED					
	SCALE NONE		PAGE 1 OF 2		APPROVED			
CALIFORNIA, USA KOWLOON, HONG KONG SINGAPORE		FILE HFJT1-RP44-L12RL.DWG						



RECOMMENDED P.C. BOARD PATTERN (COMP. SIDE)

Housing Material: Polyester, Black UL94V-0
 Contacts: Phosphor Bronze 30µin Au plating over Ni
 Leads: Matte Sn over Ni plating
 Shield: Cu Alloy with Ni plating 40µin min
 Durability: 1000 mating cycles
 Dimensions: Inch [mm]
 Tolerances: ±0.008 inch if not specified

HALO/PBL	TITLE FastJack™ TAB-UP		SIGNATURES		DATE	REV.	DESC.	DATE
	FOR FAST ETHERNET IEEE802.3af		DRAWN PETER LU		1/31/06	A		
CALIFORNIA, USA KOWLOON, HONG KONG SINGAPORE	PART NO. HFJT1-RP44-L12RL		CHECKED					
	SCALE NONE	PAGE 2 OF 2	APPROVED					
			FILE HFJT1-RP44-L12RL.DWG					