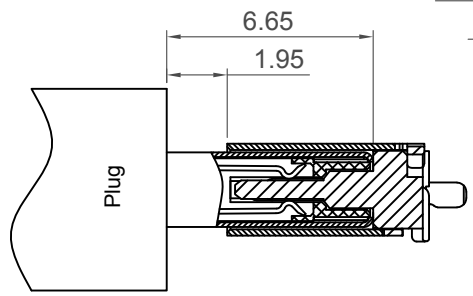
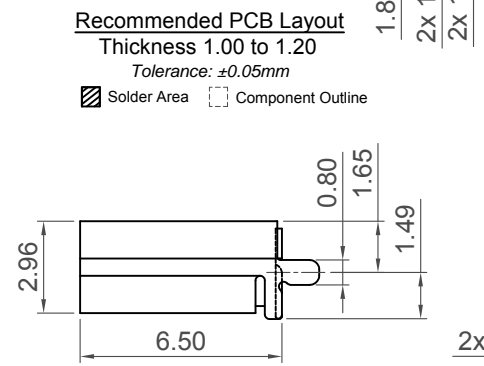
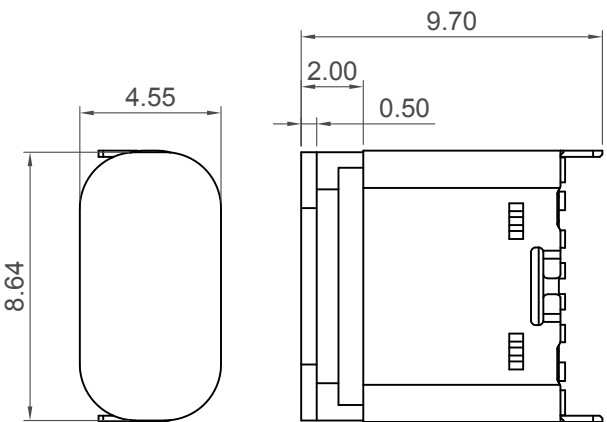


**Recommended PCB Layout**  
Thickness 1.00 to 1.20  
Tolerance: ±0.05mm

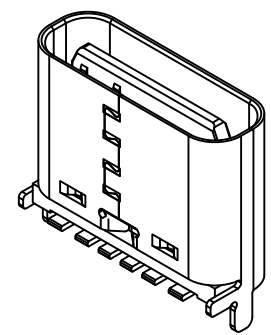
■ Solder Area □ Component Outline



Plug and Receptacle Mating View



Cap Information



Specifications

**Material**  
Insulator: LCP, UL 94V-0, Black  
Contact: Copper Alloy  
Shell: Stainless Steel  
Middle Plate: Stainless Steel

**Plating**  
Contact  
Contact Area: Gold Flash  
Solder Tails: 80u" min. Matte Tin over Nickel  
Shell: 50u" min. Nickel  
Middle Plate: Cleaning

**Electrical**  
Current Rating: 3.00A collectively for Vbus pins  
4.25A collectively for GND pins  
1.25A for B5 pin  
0.25A for A5 pin  
Voltage Rating: 20V DC  
Contact Resistance: 40mΩ max initial.  
50mΩ max after test  
Dielectric Withstanding Voltage: 100V AC  
Insulation Resistance 100MΩ min

**Mechanical & Environmental**  
Operating Temperature: -30°C to +85°C  
Mating Force: 5 to 20 N.  
Unmated Force: 6 to 20 N after test  
Durability: 10,000 cycles

Pin	Signal	Mating Sequence
A5	CC1	Second
A9	Vbus	First
A12	GND	First
B5	CC2	Second
B9	Vbus	First
B12	GND	First
SHELL		GND

Ordering Grid  
**USB4130** = **GF** = **C** Request Samples and Quotation  
 Contact Plating: GF = Gold Flash  
 Packing Options: C = Tape & Reel With Cap (600 per reel)

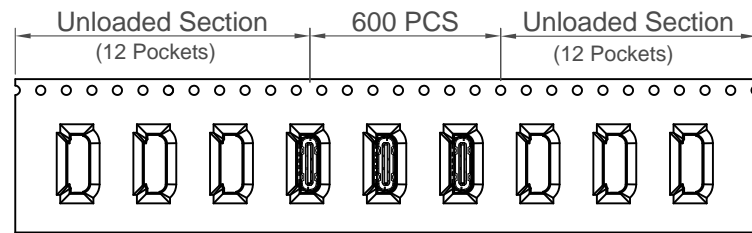
Part Number		Product Description	
USB4130		USB Type C Receptacle, Vertical, SMT, For Power charging only	
Drawing Date		26th November 2020	
By	CC	Tolerances (Except as Noted)	Units:
Detail	Drawing Release	Length	Metric (mm)
Revision	A	Angle	
Date	01/12/20	X.X ± 0.30	
		X.XX ± 0.25	
		X.XXX ± 0.10	



This drawing is confidential and copyright of Global Connector Technology, Ltd (GCT). This drawing must not be copied or disclosed without written consent. E & OE

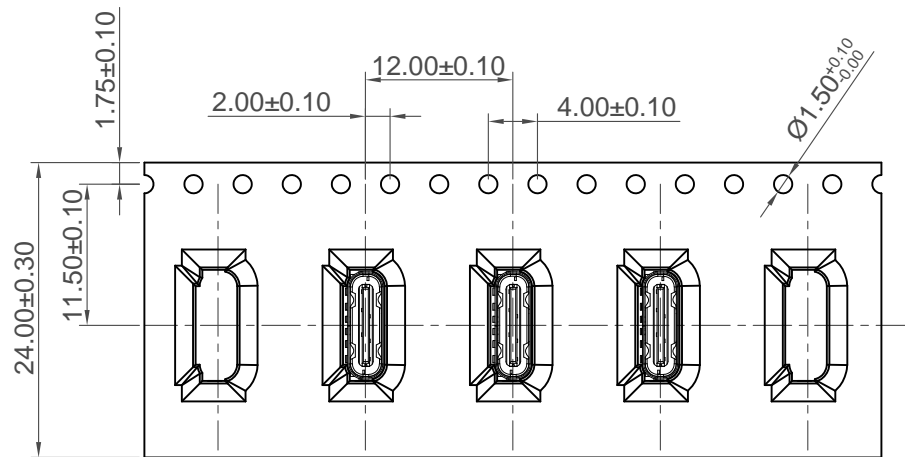
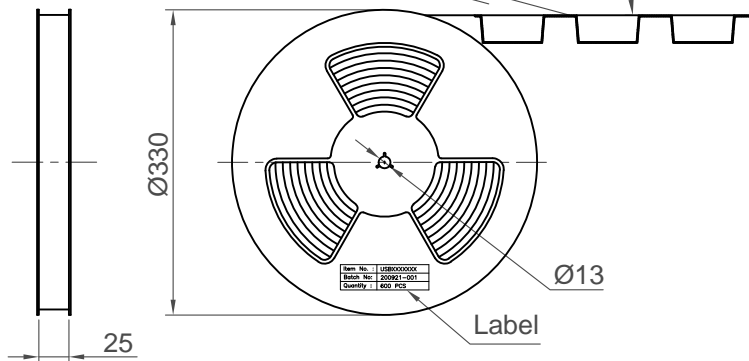


Not to Scale	Drawn By CC	Sheet No. 1/2
--------------	-------------	---------------

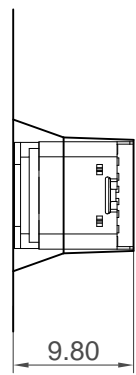
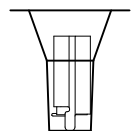


Direction of Unreeling

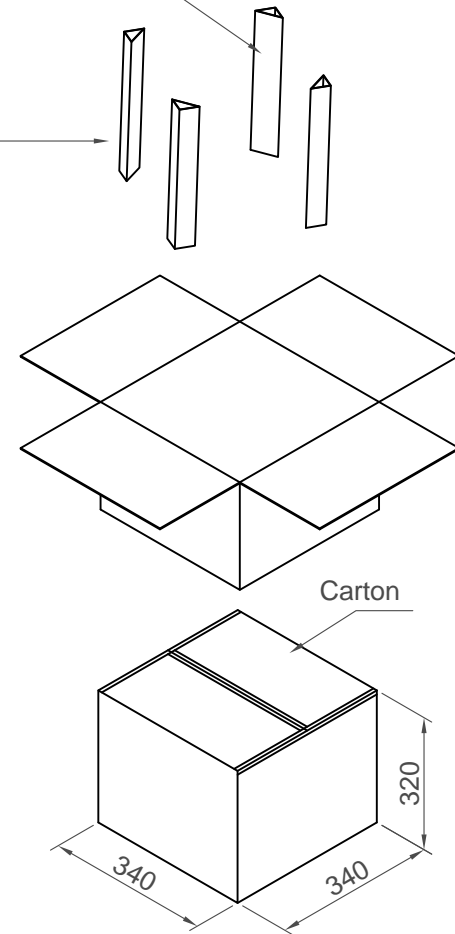
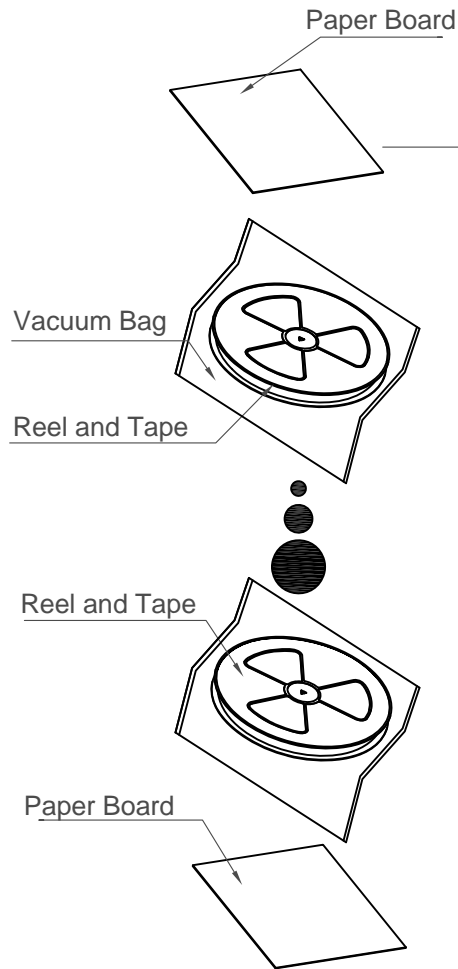
Peeling Angle 165°~180°



Direction of Unreeling



Folder Paper Board



Pcs / Reel	Reels / Carton	Total Quantity
600	10	6,000 pcs

Part Number		Product Description	
USB4130		USB Type C Receptacle, Vertical, SMT, For Power charging only	
Drawing Date		20th November 2020	
By	CC	Tolerances (Except as Noted)	Units:
Detail	Drawing Release	Length	Metric (mm)
Revision	A	Angle	
Date	01/12/20		



This drawing is confidential and copyright of Global Connector Technology, Ltd (GCT). This drawing must not be copied or disclosed without written consent. E & OE



Not to Scale Drawn By CC Sheet No. 2/2