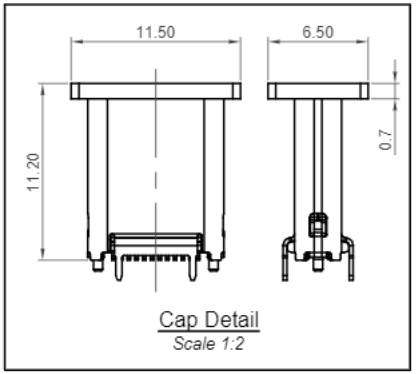
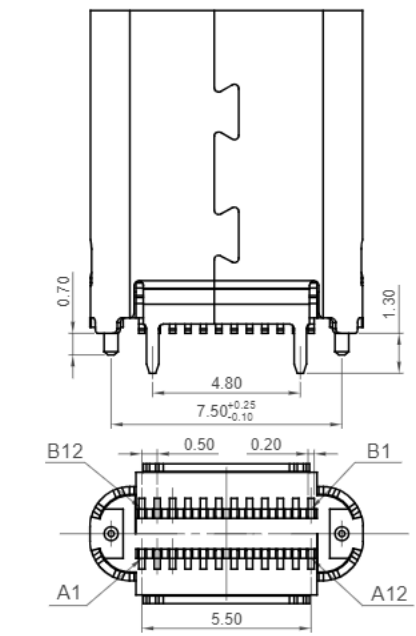
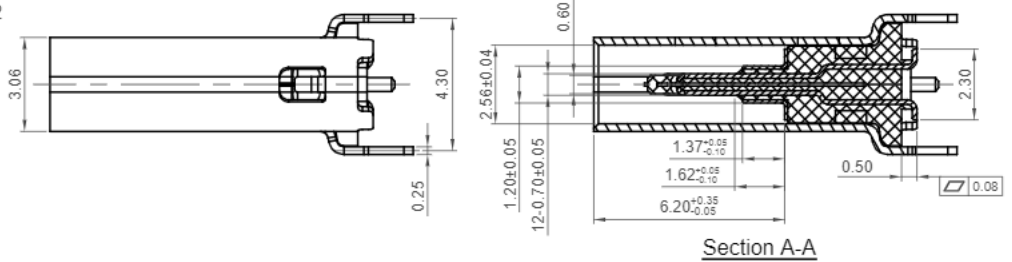
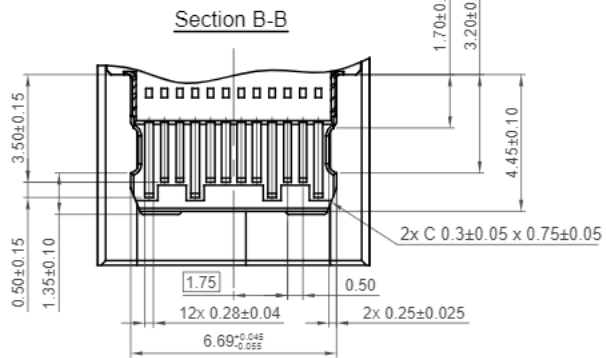


GCT USB4070 is designed and manufactured to be compatible with USB Type C specification latest release. Compliance testing for products conforming to the USB type-C cable and connector specification are currently under development by the USB-IF.



Pin	Signal	Mating Sequence	Pin	Signal	Mating Sequence
A1	GND	First	B12	GND	First
A2	SSTXp1	Second	B11	SSRXp1	Second
A3	SSTXn1	Second	B10	SSRXn1	Second
A4	Veus	First	B9	Veus	First
A5	CC1	Second	B8	SBU2	Second
A6	Dp1	Second	B7	Dn2	Second
A7	Dn1	Second	B6	Dp2	Second
A8	SBU1	Second	B5	CC2	Second
A9	Veus	First	B4	Veus	First
A10	SSRXn2	Second	B3	SSTXn2	Second
A11	SSRXp2	Second	B2	SSTXp2	Second
A12	GND	First	B1	GND	First
SHELL			GND	SHELL	

Specifications

Material
 Insulator: High Temp. Plastic UL 94V-0, Black
 Contact: High Grade Copper Alloy (T=0.15mm)
 Shell: Stainless steel (T=0.25mm)
 Inner Ground Cover Shell: Stainless Steel (T=0.10mm)
 Mid Plate: Stainless Steel (T=0.10mm)

Plating
 Contact: 30µ" Gold over 50µ" min. Nickel
 Solder Tails: 80µ" min. Matte Tin over 50µ" min. Nickel
 Shell: 50µ" min. Nickel
 Cover Shell: 80µ" min. Nickel
 Inner Ground Cover Shell: 50µ" min. Nickel

Electrical

Current Rating: 5.00A collectively for Veus pins
 6.25A collectively for GND pins
 1.25A for A5/B5 pin
 0.25A per pin for all other pins

Voltage Rating: 48V DC
 Power Rating: 240W
 Contact Resistance: 40mΩ max initial.
 50mΩ max after test
 Dielectric Withstanding Voltage: 100V AC
 Insulation Resistance 100MΩ min

Mechanical & Environmental

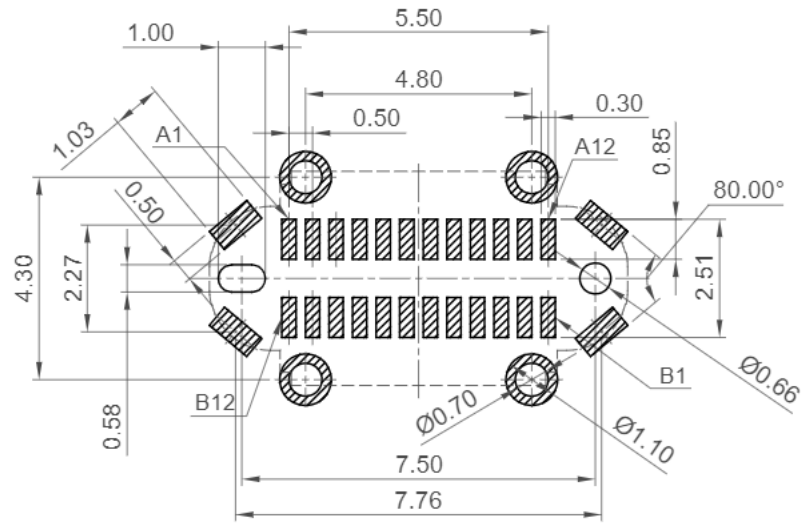
Operating Temperature: -40°C to +85°C
 Mating Force: 5 to 20 N.
 Unmated Force: 6 to 20 N after test
 Durability: 10,000 cycles

Ordering Grid

USB4070 - **30** - **C** Request Samples and Quotation

Contact Plating: 30 = 30µ" Gold
 Packing Options: C = Tape & Reel with Cap (400 per reel)

Part Number USB4070		Product Description USB 3.2 Gen2 Type C Receptacle		GCT www.gct.co
Drawing Date 5th May 2016		Vertical, SMT with Shell Stakes & Locating Pegs		
By Detail	CC USB4070 C PCN	Tolerances (Except as Noted) Length X. ± 0.50 X.X ± 0.30 X.XX ± 0.20 X.XXX ± 0.10	Units: Metric (mm)	RoHS COMPLIANT 2011/65/EU Deca-IDE
Revision Date	C8 15/06/23	± 2°	2x Angle Projection	
This drawing is confidential and copyright of Global Connector Technology, Ltd (GCT). This drawing must not be copied or disclosed without written consent. E & OE				Not to Scale
				Drawn By AJO
				Sheet No. 1/3

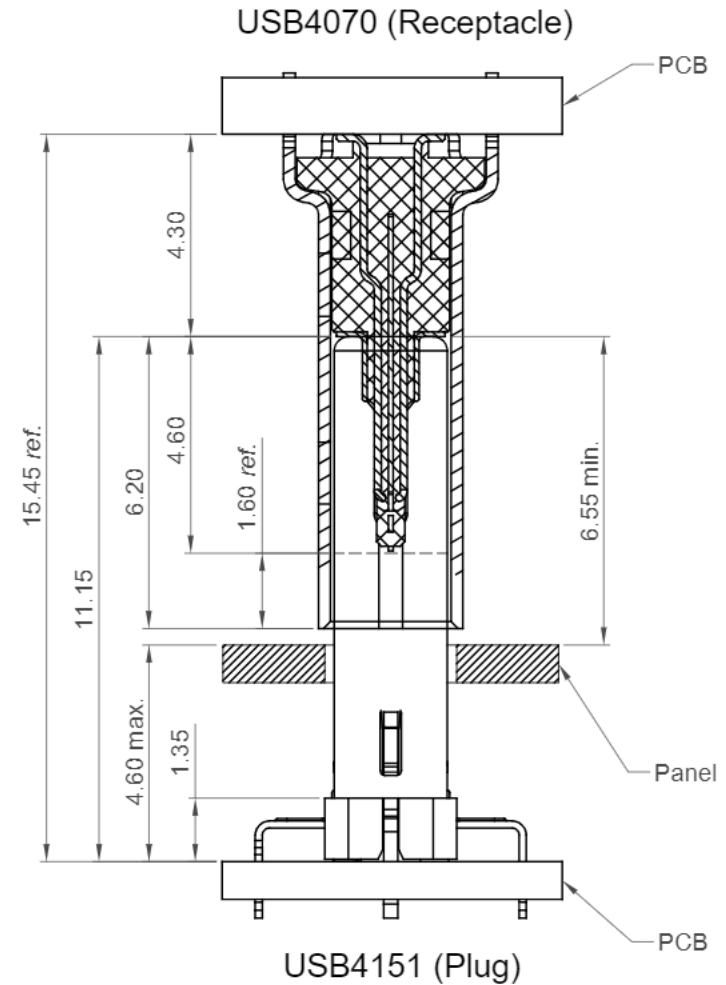
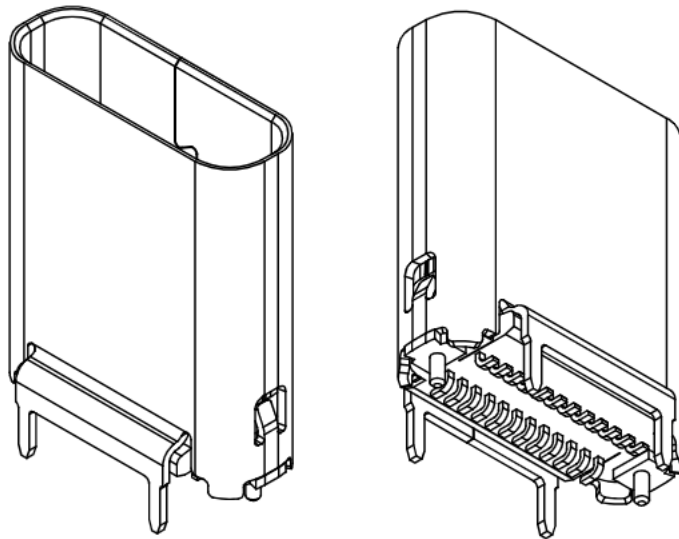


Recommended PCB Layout

as viewed from component side

Recommended PCB Thickness: 1.20mm Tolerance: $\pm 0.05\text{mm}$

Solder Area Component Outline



Plug and Receptacle Mating View

Part Number		Product Description		 www.gct.co
USB4070		USB 3.2 Gen2 Type C Receptacle		
Drawing Date		Vertical, SMT with Shell Stakes & Locating Pegs		
5th May 2016				 This drawing is confidential and copyright of Global Connector Technology, Ltd (GCT). This drawing must not be copied or disclosed without written consent. E & OE
By	CC	Tolerances (Except as Noted)	Units:	
Detail	USB4070 C PCN	Length X. ± 0.50 X.X ± 0.30 X.XX ± 0.20 X.XXX ± 0.10	Metric (mm)	
Revision	C8	Angle $\pm 2^\circ$	 2nd Angle Projection	
Date	15/06/23			Not to Scale Drawn By AJO Sheet No. 2/3

38.4
32.4

LABEL

Ø380

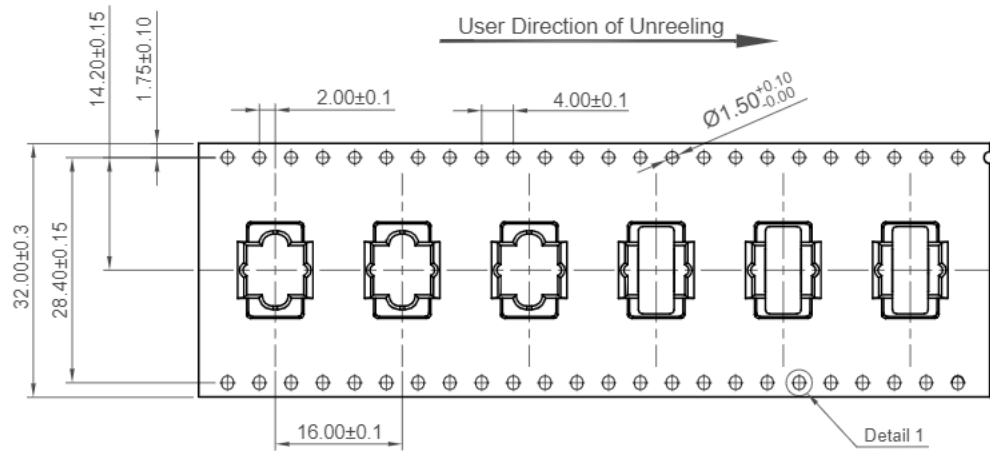
400 min.
Peeling Angle
165° ~ 180°

About 160mm long
Unloaded Section

Product Loaded Section

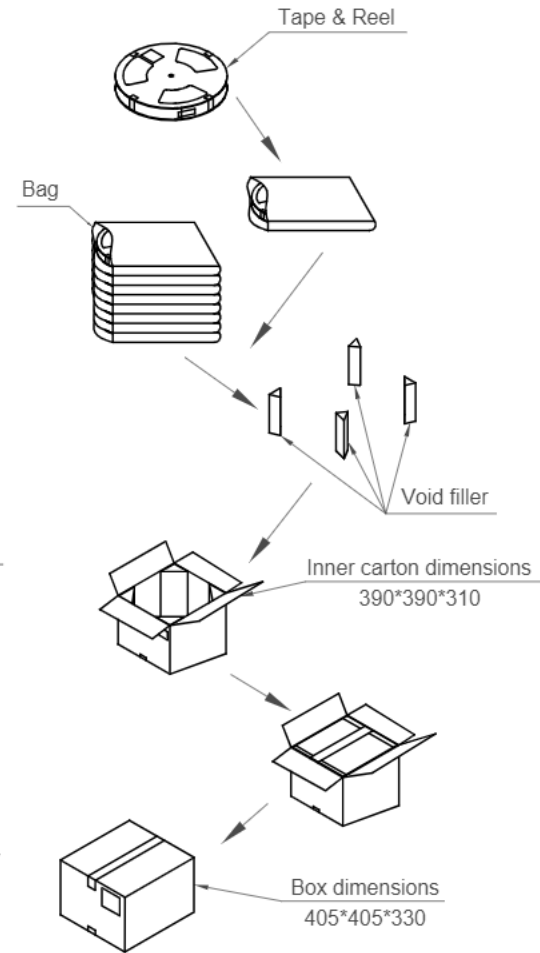
About 160mm long
Unloaded Section

User Direction of Unreeling



Detail 1

Detail 1
4:1



Pcs / Reel	Reels / Carton	Total Quantity
400	8	3,200 pcs

Note

- Material
Box: Fibreboard, corrugated, double wall.
Tape: Polystyrene, heat-resistant temperature: 120°C, Black colour.
Reel: Polystyrene, heat-resistant temperature: 70°C, Blue colour.
Bag: Polyethylene, heat-resistant temperature: 100°C.
- Peeling strength: 0.1 ~ 1.3 N (10 ~ 130 grams)
- Peeling speed: 300 mm/min.
- Each bag includes desiccant.

Part Number USB4070		Product Description USB 3.2 Gen2 Type C Receptacle Vertical, SMT with Shell Stakes & Locating Pegs	
Drawing Date 5th May 2016			
By CC	Tolerances (Except as Noted) Length	Units: Metric (mm)	 This drawing is confidential and copyright of Global Connector Technology, Ltd (GCT). This drawing must not be copied or disclosed without written consent. E & OE
Detail USB4070 C PCN	Angle		
Revision C8			
Date 15/06/23			

GCT
www.gct.co

Not to Scale
Drawn By
AJO
Sheet No.
3/3