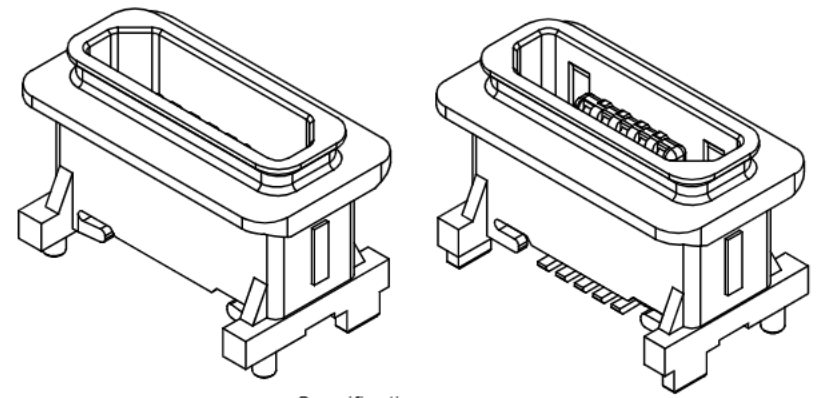


**Recommended PCB Layout**  
 As viewed from component side Tolerance:  $\pm 0.03\text{mm}$   
 Recommended PCB Thickness: 0.80mm  
 [Hatched Box] Solder Area [Dashed Box] Component Outline



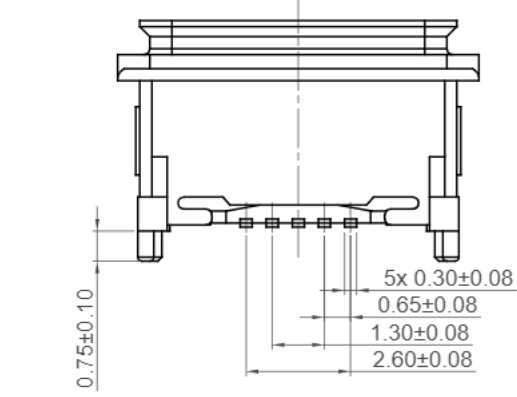
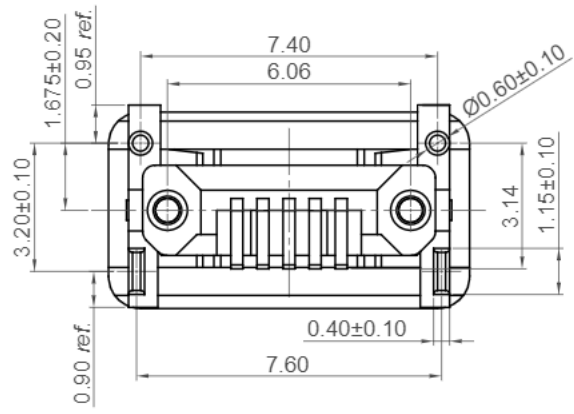
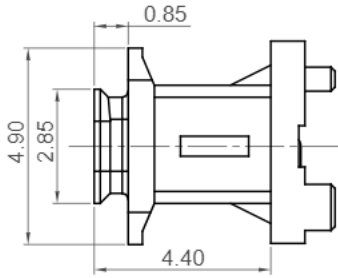
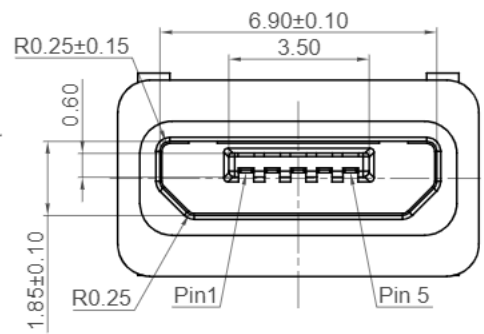
**Specifications**

**Material**  
 Insulator: High Temp. Plastic UL 94V-0, Black  
 Contact: Copper Alloy  
 Shell: Stainless Steel  
 Gasket: Silicone Rubber, Part No.: USBTJ-02B  
*(Gasket+Connector can be ordered separately or together as a KIT - USB3510-30-C-KIT)*

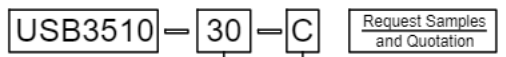
**Plating**  
 Terminal:  
 Contact area: 30 $\mu$ " Gold  
 Soldering tails: Gold Flash  
 Underplating: 50 $\mu$ " Min. Nickel  
 Shell: 50 $\mu$ " Min. Nickel over all

**Electrical**  
 Current Rating: Signal (Pins 2,3,4): 1.0A  
 Power (Pins 1,5): 1.8A  
 Voltage Rating: 30V AC  
 Contact Resistance: 30m $\Omega$  max.  
 Dielectric Withstanding Voltage: 100V AC  
 Insulation Resistance 1000M $\Omega$  min

**Mechanical & Environmental**  
 Operating Temperature: -30 $^{\circ}$ C to +85 $^{\circ}$ C  
 Mating Force: 35N max.  
 Unmated Force: 8N min.  
 Durability: 10,000 cycles  
 Ingress Protection Rating: IP67



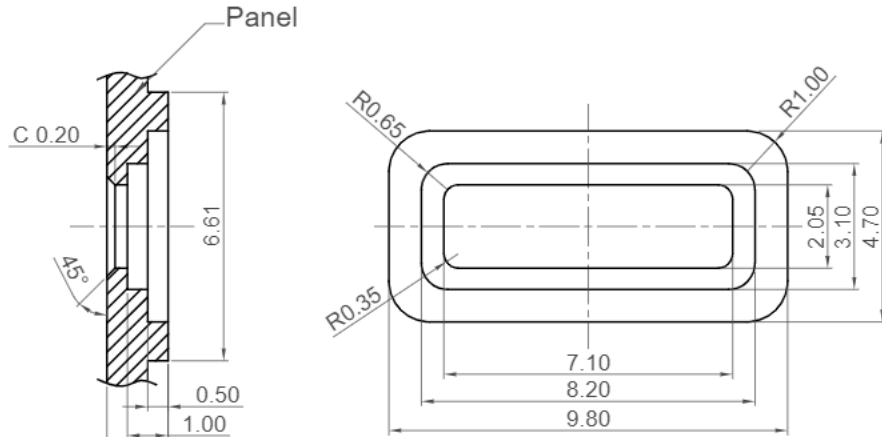
**Ordering Grid**



**Contact Plating**  
 30 = 30 $\mu$ " Gold

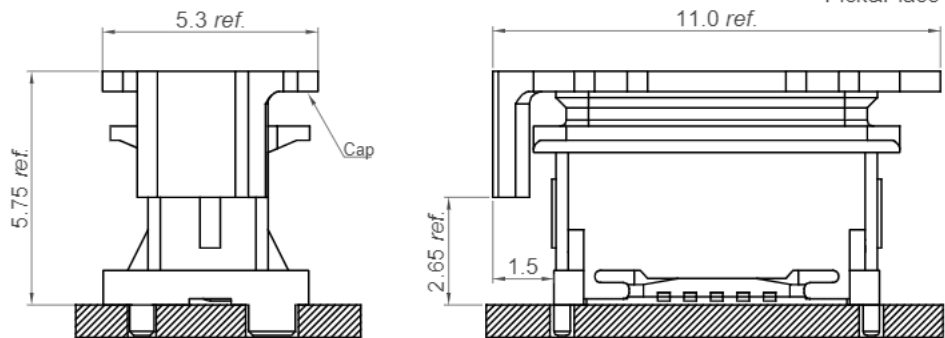
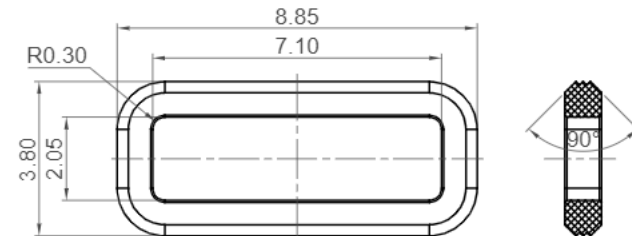
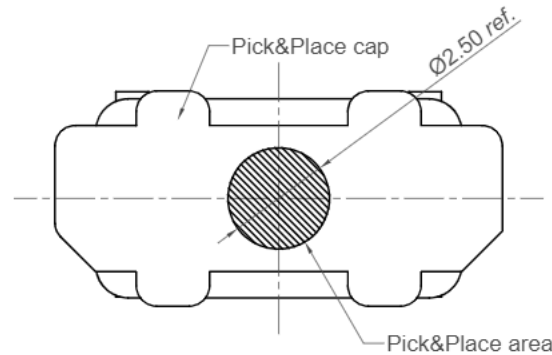
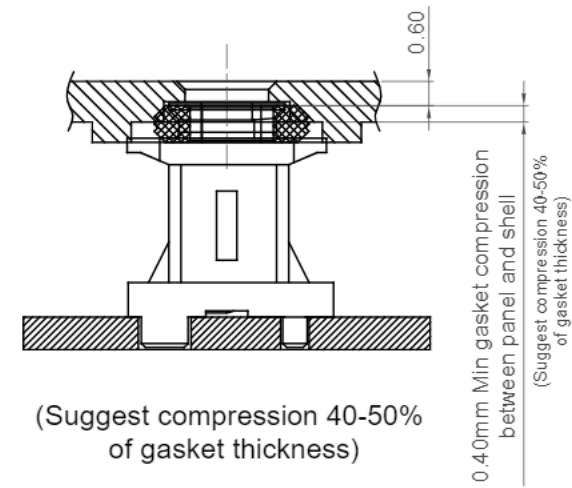
**Packing Options**  
 C = Tape & Reel With Cap (700 per reel)

Part Number USB3510		Product Description Micro USB Type B Receptacle, Vertical, IP67	
Drawing Date 31st July 2023			
By CC	Detail Drawing Release	Tolerances (Except as Noted) Length X. $\pm 0.50$ XX $\pm 0.30$ X.XX $\pm 0.20$ X.XXX $\pm 0.10$	Units: Metric (mm)
Revision Date	A 31/07/23	$\pm 1^{\circ}$	2nd Angle Projection
		<b>RoHS COMPLIANT 2011/65/EU</b>	<b>Deca-ROE</b>
		This drawing is confidential and copyright of Global Connector Technology, Ltd (GCT). This drawing must not be copied or disclosed without written consent. E & OE	
		 www.gct.co	
Not to Scale		Drawn By CC	Sheet No. 1/4

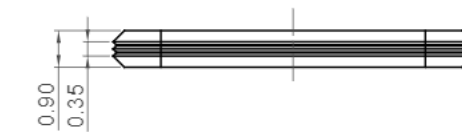


**Recommended Panel Spec**

Tolerance:  $\pm 0.05\text{mm}$



**PCB Mount & Cap Information**



**Recommended Waterproof Gasket Spec**

Gasket Part No.: USBTJ-02B

(Gasket+Connector can be ordered separately or together as a KIT - USB3510-30-C-KIT)

(See separated datasheet for specification)

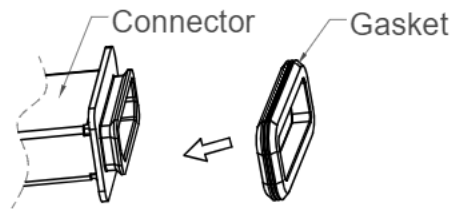
Part Number		Product Description	
USB3510		Micro USB Type B Receptacle, Vertical, IP67	
Drawing Date		31st July 2023	
By	CC	Tolerances (Except as Noted)	Units:
Detail	Drawing Release	Length X. $\pm 0.50$ X.X $\pm 0.30$ X.XX $\pm 0.20$ X.XXX $\pm 0.10$	Metric (mm)
Revision	A	Angle $\pm 1^\circ$	2nd Angle Projection
Date	31/07/23		



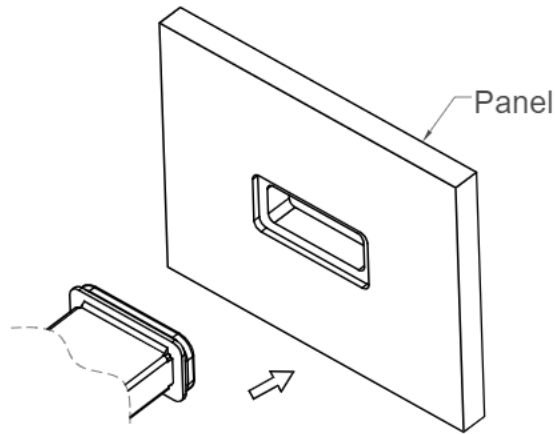
This drawing is confidential and copyright of Global Connector Technology, Ltd (GCT). This drawing must not be copied or disclosed without written consent. E & OE



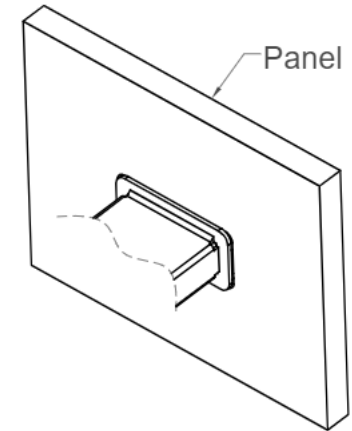
Not to Scale Drawn By CC Sheet No. 2/4



Step 1



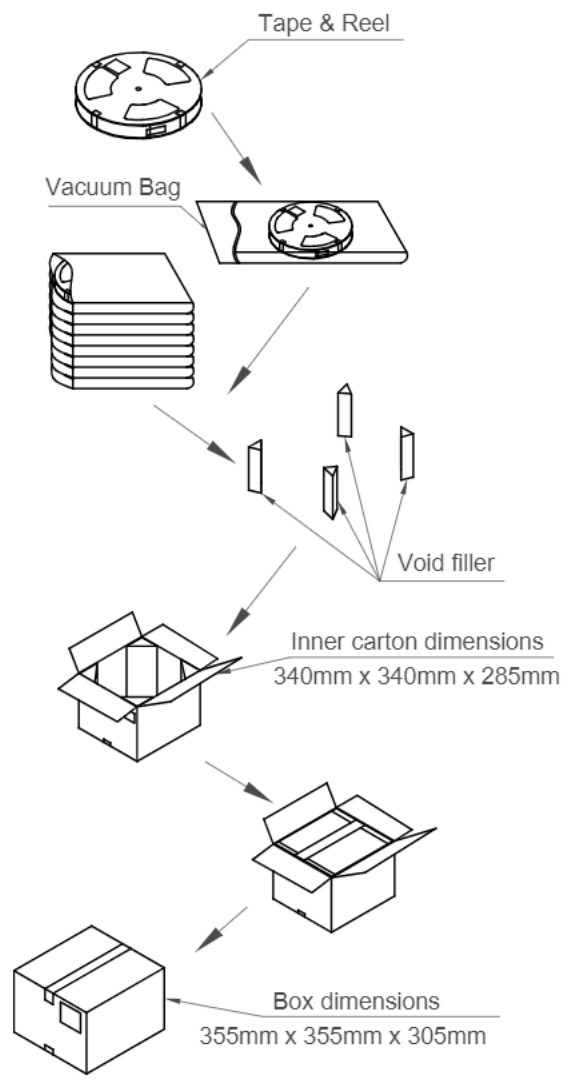
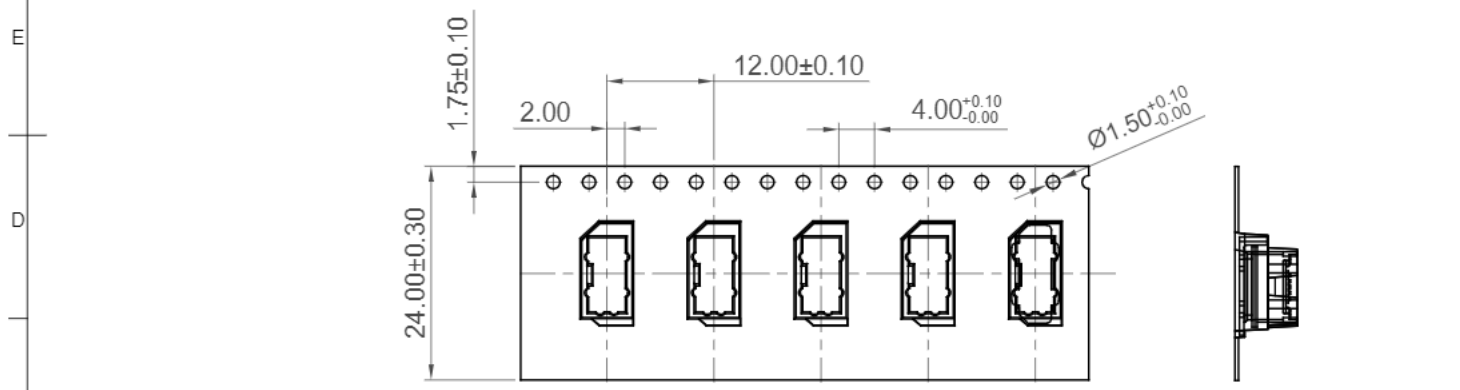
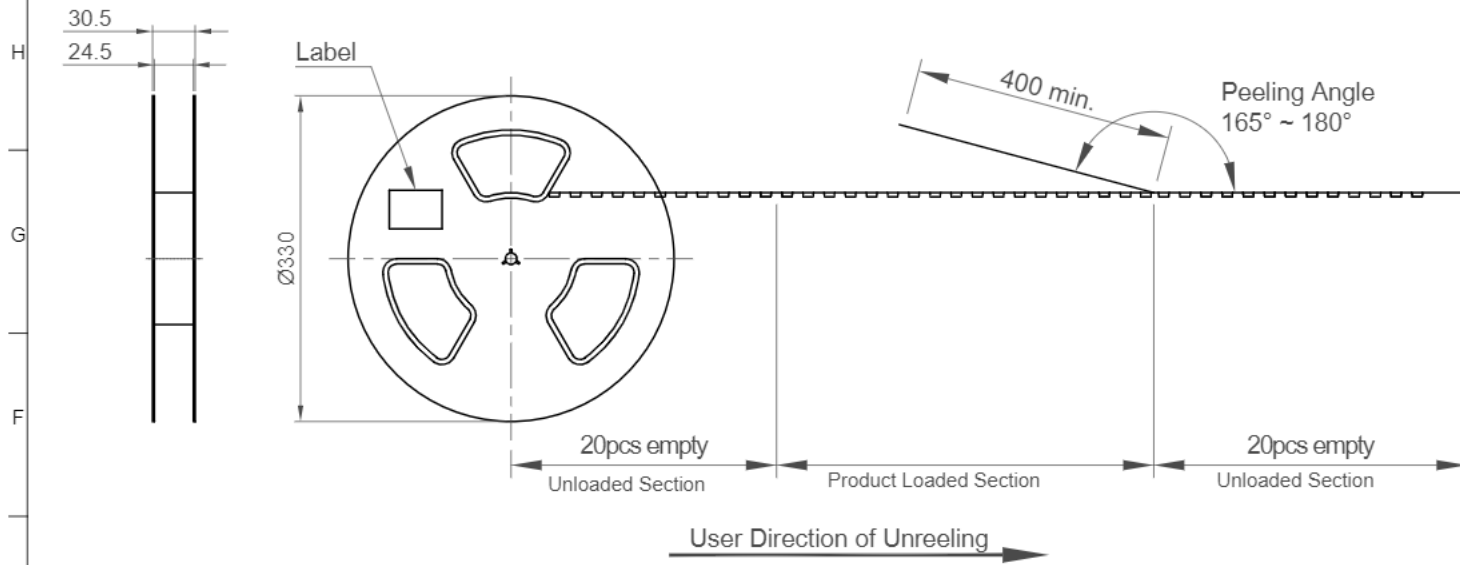
Step 2



Step 3

Assembly instruction for Gasket set after Reflow  
Available for Micro USB Waterproof Series

Part Number		Product Description		<b>GCT</b> www.gct.co
USB3510		Micro USB Type B Receptacle, Vertical, IP67		
Drawing Date		31st July 2023		
By	CC	Tolerances (Except as Noted)		<b>RoHS</b> COMPLIANT 2011/65/EU Deca-BDE
Detail	Drawing Release	Length	Angle	
Revision	A	X. ± 0.50	± 1°	© This drawing is confidential and copyright of Global Connector Technology, Ltd (GCT). This drawing must not be copied or disclosed without written consent. E & OE
Date	31/07/23	X.X ± 0.30		
		X.XXX ± 0.10	Units: Metric (mm)	
		2nd Angle Projection		Not to Scale
				Drawn By CC
				Sheet No. 3/4



Pcs / Reel	Reels / Carton	Total Quantity
700	9	6300

Notes:  
 Peeling off force of top tape: 0.1-1.3N (Peeling direction as shown)

Materials:  
 Carrier Tape: Polystyrene (PS)  
 Top Tape: PE  
 Reel Tape: Polystyrene (PS)  
 Bag: PE

Part Number USB3510		Product Description Micro USB Type B Receptacle, Vertical, IP67	
Drawing Date 31st July 2023			
By CC	Detail Drawing Release	Tolerances (Except as Noted) Length	Units: Metric (mm)
Revision Date	A 31/07/23	Angle	2nd Angle Projection



This drawing is confidential and copyright of Global Connector Technology, Ltd (GCT). This drawing must not be copied or disclosed without written consent. E & OE



Not to Scale	Drawn By CC	Sheet No. 4/4
--------------	----------------	------------------