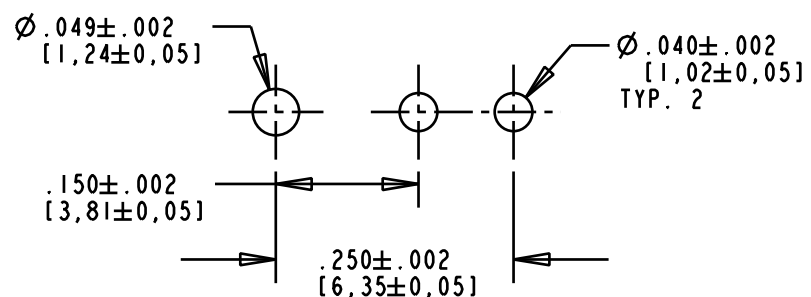
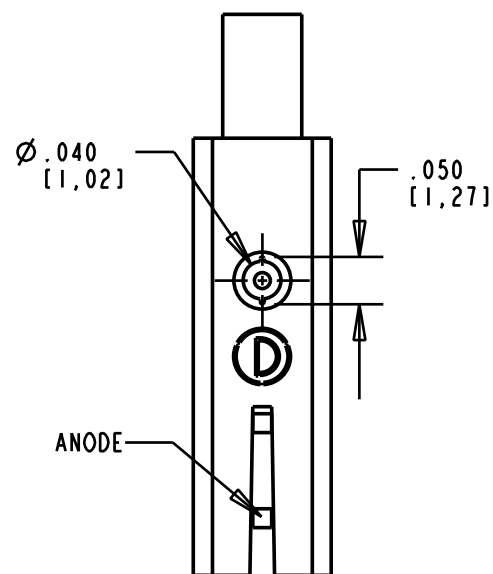
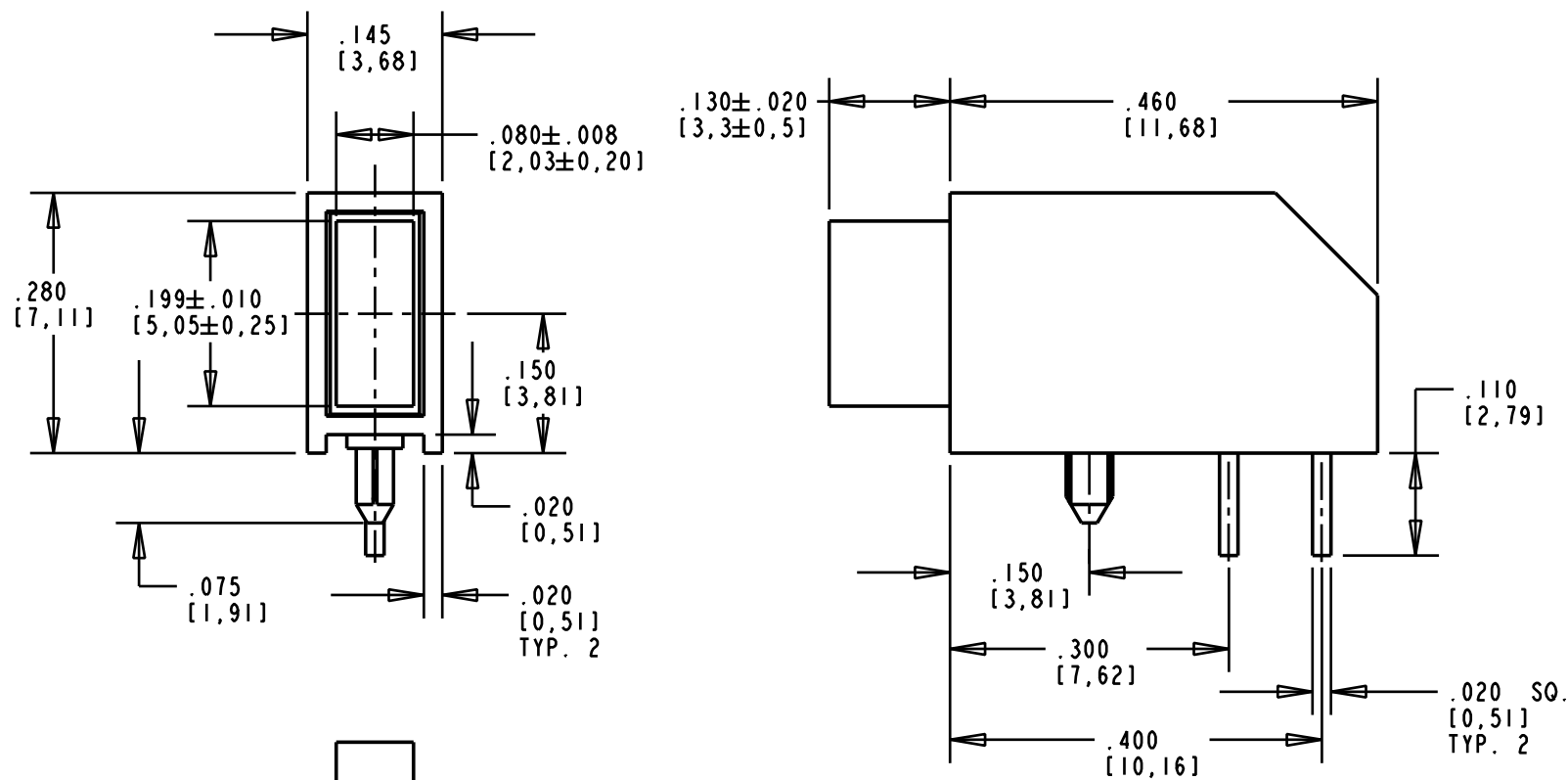


ABSOLUTE MAXIMUM RATINGS AT 25°C AMBIENT	UNITS	RED	YELLOW	GREEN	ORANGE
POWER DISSIPATION	mW	100	60	100	
DERATE LINEARLY FROM 50°C	mA/°C	0.4	0.25	0.4	0.5
CONTINUOUS FORWARD CURRENT	mA	30	20	30	25
PEAK FORWARD CURRENT (1/10 DUTY CYCLE, 0.1ms PULSE WIDTH)	mA	120	80	120	90
LEAD SOLDERING TEMPERATURE, 5 SEC., 1/16" FROM BODY	°C	260			
OPERATING TEMPERATURE	°C	-55 TO +100			
STORAGE TEMPERATURE	°C	-55 TO +100			

REV.	ECN NO.	REVISIONS	DRN.	CKD.	APP.	DATE
A	—	NEW RELEASE	L.R.		N.O.	8-14-95
B	—	REVISED ALL LED'S SPECS CHANGED .083+/- .005 TO .080 +/- .008; .199 +/- .005 TO .196 +/- .010; .135 TO .128. ADDED NOTE 1.	DC	N.O.	N.O.	1-27-00
C	—	ADDED P/N 566-0506 & ORANGE LED SPEC. PLUS PART NO. TO LED COLOR CHART.	DC	KD	NO	2-14-01
D	—	DIMENSION .130 WAS .128, .199 WAS .196	JAV			



RECOMMENDED HOLE PATTERN

DIALIGHT PART NO.	LED COLOR
566-0206	GREEN
566-0306	YELLOW
566-0406	RED
566-0506	ORANGE

OPERATING CHARACTERISTICS AT TA=25°C							
SYMBOL	PARAMETER	COLOR	MIN.	TYP.	MAX.	UNITS	TEST CONDITION
V _F	FORWARD VOLTAGE	RED		2.0	2.8	V	I _F = 20 mA
		YELLOW		2.1	2.8		
		GREEN		2.1	2.8		
		ORANGE	1.5	1.9	2.6		
V _R		ALL	5			V	I _R = 100µA
λ _{PK}	PEAK WAVELENGTH	RED		635		nm	MEASURED AT PEAK
		YELLOW		585			
		GREEN		565			
		ORANGE		600			
I _V	LUMINOUS INTENSITY	RED	3.0	7.4		mcd	I _F = 20 mA
		YELLOW	2.2	7.4			
		GREEN	2.2	7.4			
		ORANGE	3.4	7.5			

NOTES:

- DIALIGHT PART NO. 566-0206, 566-0306, 566-0406, 566-0506

THIS DRAWING AND THE CONTENTS HEREIN ARE CONFIDENTIAL AND THE SOLE PROPERTY OF DIALIGHT. REPRODUCTION OF THIS DRAWING OR CONSTRUCTION OF ANY PARTS WITHIN THIS DRAWING ARE FORBIDDEN WITHOUT THE WRITTEN CONSENT OF DIALIGHT.

SCALE 5:1	DRAWING NUMBER	REV
ALL DIM'S IN: INCHES (MM)	C-15978	D
TOLERANCES: UNLESS OTHERWISE SPECIFIED	TITLE	
FRACTIONS: ±1/64	MATERIAL	
DECIMALS (.XX): ±.020	Dialight 1501 ROUTE 34 SOUTH FARMINGDALE, NJ 07727	
DECIMALS (.XXX): ±.015		
ANGLES: ±3°	SHEET OF FAMILY TABLE:	
FINISH:	FSCM 83330	