

MATERIAL:

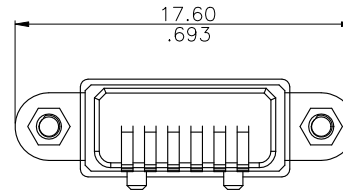
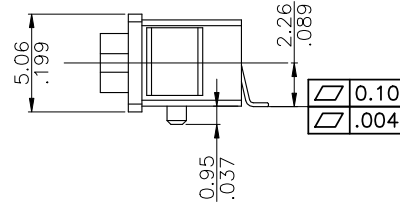
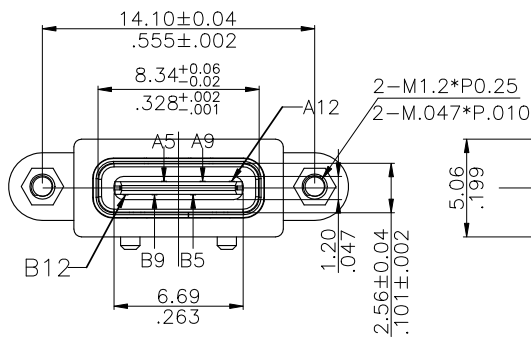
- 1.HOUSING: HIGH TEMPERATURE PLASTIC, BK
- 2.CONTACT: COPPER ALLOY
- 3.SHELL: STAINLESS STEEL
- 4.NUT: COPPER ALLOY

FINISH:

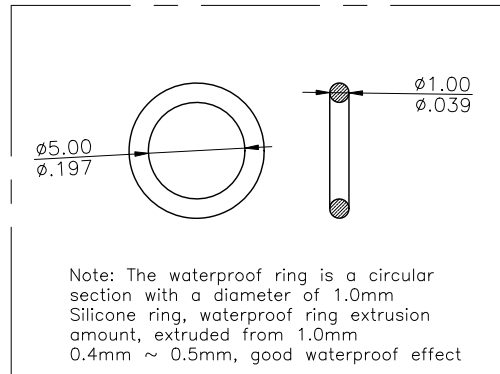
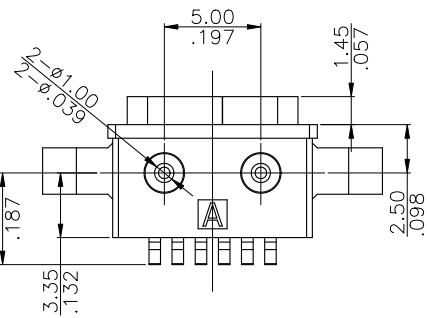
CONTACT: SEE ORDER INFORMATION
 WATERPROOF GRADE:IPX8

Ordering Code:

CU39 06 S * B G L R 025 -LF
 ① ② ③ ④ ⑤ ⑥ ⑦ ⑧ ⑨



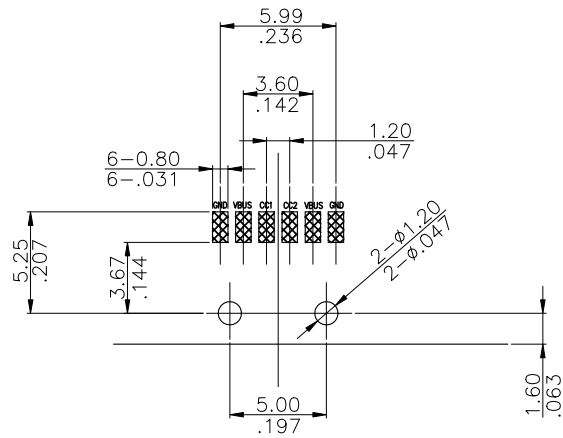
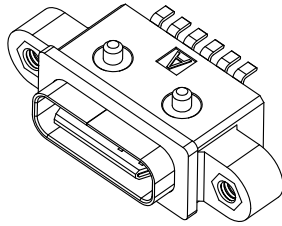
- ① Series No:CU39
- ② No. of Circuits:06Pin
- ③ Contact Type:S= Socket
- ④ Contact Plating Option:
W= Selective 3u" (0.076um)Gold plated on contact area and, Gold Flash plated on the other parts,Both of them area over 40u"Nickel
- ⑤ Shell Material & Plating:
B= Stainless Steel Ni Plated
- ⑥ Contact Material: G= Copper Alloy
- ⑦ Insulator Material & Color Option:
L= High temperature plastic , BK
- ⑧ Packing Option:R= Tape & Reel
- ⑨ -LF= For Lead Free IR Reflow Process



Note: The waterproof ring is a circular section with a diameter of 1.0mm
 Silicone ring, waterproof ring extrusion amount, extruded from 1.0mm
 0.4mm ~ 0.5mm, good waterproof effect

Lead Free Process RoHS Compliant

4					DATE	UNIT: mm / inch	TITLE: CU39 TYPE C/F 6 Pin	瀚荃股份有限公司 CviLux Corporation	
3				DRAWN BY: Ash	08/18-23'	TOLERANCE UNLESS OTHERWISE SPECIFIED	SMT TYPE WATERPROOF		
2				ENGINEER: Ash	08/18-23'	.X ± 0.30/.012 X' ± 2'	MATERIAL:		
1				CHECKED BY: Keny	08/18-23'	.XX ± 0.10/.004 .X' ± 1'	FINISH:		
SYM	NAME	DATE	REVISIONS	APPROVED BY: Keny	08/18-23'	.XXX ± 0.05/.002 .XX' ± 0.5'	DRAWING NO. CU39S25SA	PART NO. CU3906S*BGLR025-LF	
								SCALE 1 / 1	SHEET 1 OF 3



RECOMMENDED PCB LAYOUT(TOP VIEW)

THICKNESS T=1.0mm
 DEFAULT TOLERANCE+/-0.05

USB TYPE-C FULL-FEATURED RECEPTACLE INTERFACE PIN ASSIGNMENTS

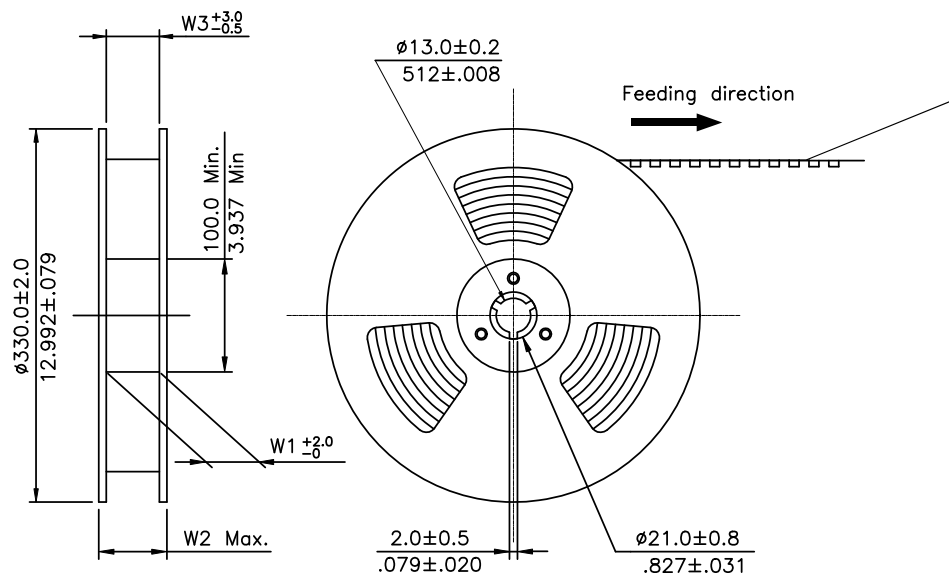
PIN	Signal Name	Description	PIN	Signal Name	Description
A1			B12	GND	Ground return
A2			B11		
A3			B10		
A4			B9	VBUS	Bus Power
A5	CC1	Configuration Channel	B8		
A6			B7		
A7			B6		
A8			B5	CC2	Configuration Channel
A9	VBUS	Bus Power	B4		
A10			B3		
A11			B2		
A12	GND	Ground return	B1		

Lead Free Process RoHS Compliant



瀚荃股份有限公司
 CviLux Corporation

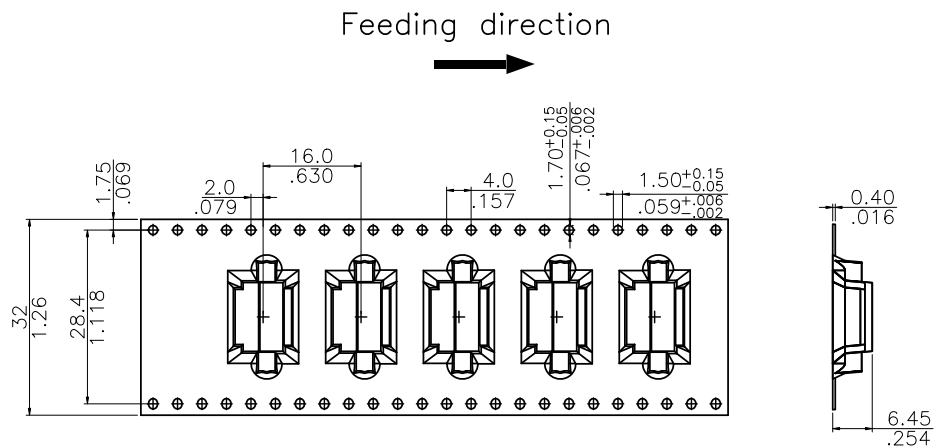
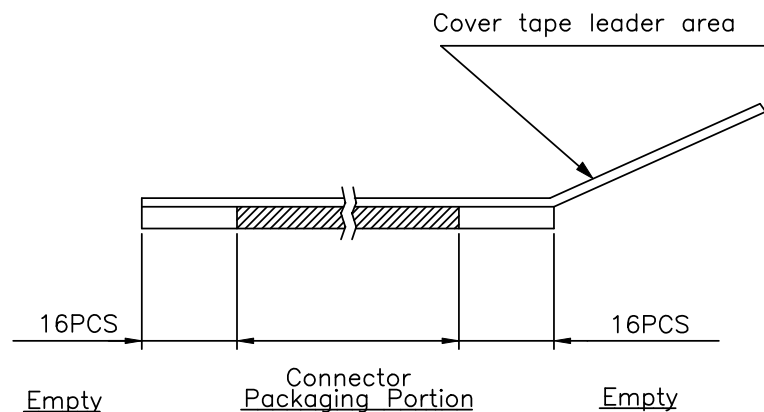
4					DATE	UNIT: mm / inch	TITLE: CU39 TYPE C/F 6 Pin	DRAWING NO. CU39S25SA PART NO. CU3906S*BCLR025-LF
3				DRAWN BY: Ash	08/18-23'	TOLERANCE UNLESS OTHERWISE SPECIFIED	SMT TYPE WATERPROOF	
2				ENGINEER: Ash	08/18-23'	.X ± 0.30/.012 X' ± 2'	MATERIAL:	
1				CHECKED BY: Keny	08/18-23'	.XX ± 0.10/.004 .X' ± 1'	FINISH:	
SYM	NAME	DATE	REVISIONS	APPROVED BY: Keny	08/18-23'	.XXX ± 0.05/.002 .XX' ± 0.5'		SCALE 1 / 1 SHEET 2 OF 3



NOTE :

- * Reel Material : HIPS
- * Carrier Material : Clear, Conductive Polystyrene Alloy
- * Cover Tape Material : Polyester
- * Cover Tape Peel Strength : 0.1N – 1.3N
- * Carrier camber is within 1mm in 250mm
- * All dimensions meet EIA-481-B requirements.
- * Quantity : 700 PCS/Reel

Dimension				Packing (Reel/Carton)
E	W1	W2	W3	
32(1.260)	32.5(1.280)	38(1.496)	32.5(1.280)	8



Lead Free Process RoHS Compliant

4					DATE	UNIT: mm / inch	TITLE: CU39 TYPE C/F 6 Pin SMT TYPE WATERPROOF
3				DRAWN BY: Ash	08/18-23'	TOLERANCE UNLESS OTHERWISE SPECIFIED	MATERIAL:
2				ENGINEER: Ash	08/18-23'		
1				CHECKED BY: Keny	08/18-23'	.XX ± .X' ± *	FINISH:
SYM	NAME	DATE	REVISIONS	APPROVED BY: Keny	08/18-23'	.XXX ± .XX' ± *	

瀚荃股份有限公司
CviLux Corporation

DRAWING NO.	CU39S25SA	PART NO.	CU3906S*BCLR025-LF
SCALE	1 / 1	SHEET	3 OF 3