

MATERIAL:
 1.HOUSING: High temperature plastic , BK
 2.CONTACT: COPPER ALLOY
 3.GUARD PLATE:STAINLESS STEEL
 4.SHIELD: STAINLESS STEEL

FINISH:
 CONTACT: SEE ORDER INFORMATION
 SHELL: NICKEL PLATING

Ordering Code:
 CU35 14 S * S A L A 001 -NH
 ① ② ③ ④ ⑤ ⑥ ⑦ ⑧ ⑨

- ① Series No.CU35
- ② No of Circuits:14Pin
- ③ S= Socket
- ④ Plating option:
 2= Gold flash over 50u" (1.27um) Nickel
 4= 30u"(0.76um)Gold plated over
 50u" (1.27um) Nickel
- ⑤ Shell Material & Plating:
 S= stainless steel
- ⑥ Contact Material: A=Copper Alloy
- ⑦ Insulator Material & Color option:
 L=High temperature plastic , BK
- ⑧ Packing A=Tray
- ⑨ -NH= For Lead Free wave or IR Reflow Processes & Halogen Free

SECTION "A-A"
 SCALE 1:1

CIVILUX CORP
 2022.05.19
 ISSUED

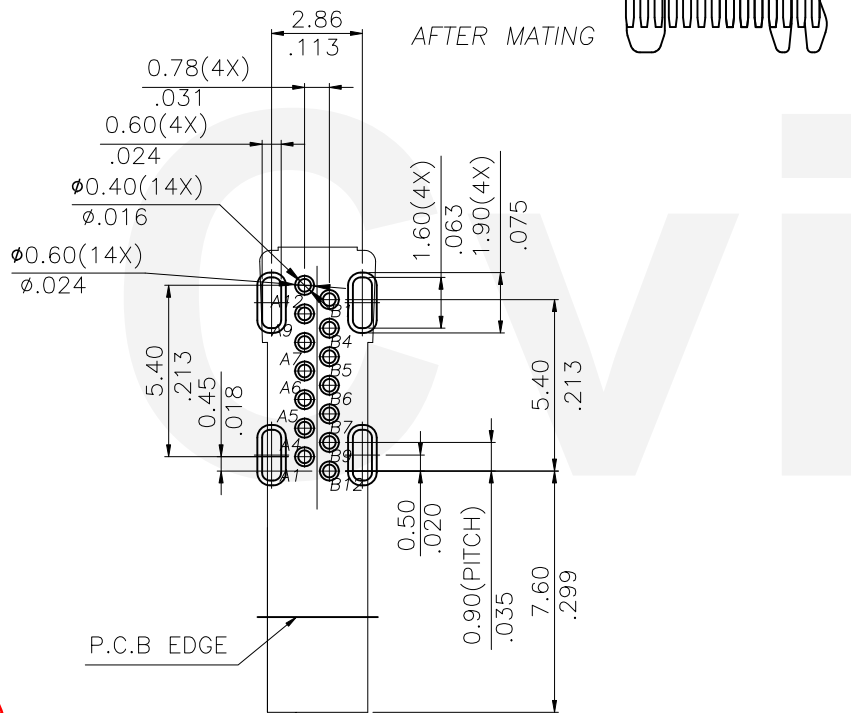
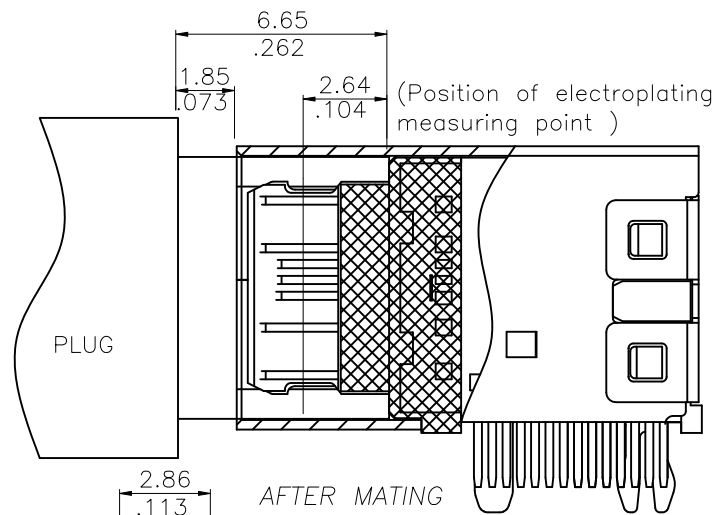
Halogen-Free

RoHS Compliant

④					DATE	UNIT: mm / inch	TITLE:
③						TOLERANCE UNLESS OTHERWISE SPECIFIED	CU35 TYPE C/F 14PIN DIP Side plug
②	Annie	2022.4.11	ECND122005 REVISIONS	DRAWN BY: Annie	5/10-22'	.X ± 0.25/010 .X' ± 4'	MATERIAL:
①	Annie	2021.7.20	ECND121024 REVISIONS	ENGINEER: Gavin	5/10-22'	.XX ± 0.20/008 .X' ± 2'	FINISH:
SYM	NAME	DATE	REVISIONS	CHECKED BY: Keny	5/10-22'	.XXX ± 0.10/004 .XX' ±	
				APPROVED BY: Keny	5/10-22'		

瀚荃股份有限公司
CviLux Corporation

DRAWING NO.	CU35S01SC	PART NO.	CU3514S*SALA001-NH
SCALE	1 / 1	SHEET	1 OF 3



RECOMMENDED PCB LAYOUT(TOP VIEW)
THICKNESS 1.6±0.10MM;DEFAULT TOLERANCE:±0.05

USB TYPE-C FULL-FEATURED RECEPTACLE INTERFACE PIN ASSIGNMENTS

PIN	Signal Name	Description	PIN	Signal Name	Description
A1	GND	Ground return	B12	GND	Ground return
A2			B11		
A3			B10		
A4	Vbus	Bus Power	B9	VBUS	Bus Power
A5	CC1	Configuration Channel	B8		
A6	Dp1	Positive half of the USB 2.0 differential pair-Position 1	B7	Dn2	Negative half of the USB 2.0 differential pair-Position 2
A7	Dn1	Negative half of the USB 2.0 differential pair-Position 1	B6	Dp2	Positive half of the USB 2.0 differential pair-Position 2
A8			B5	CC2	Configuration Channel
A9	VBUS	Bus Power	B4	VBUS	Bus Power
A10			B3		
A11			B2		
A12	GND	Ground return	B1	GND	Ground return

CVILUX CORP
2022.05.19
ISSUED

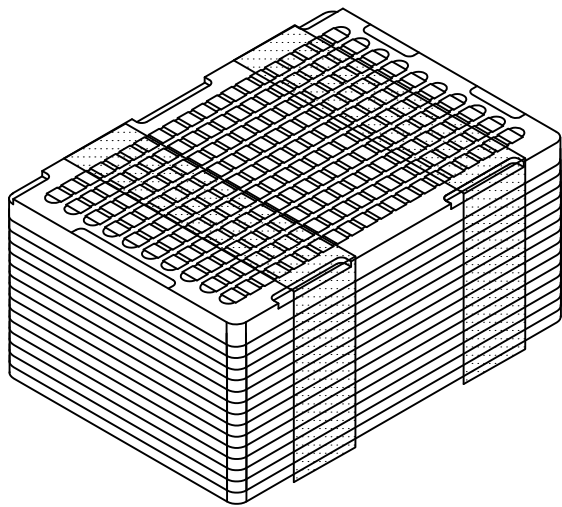
Halogen-Free **RoHS Compliant**

4					DATE	UNIT: mm / inch	TITLE:
3				DRAWN BY:	Annie	5/10-22'	CU35 TYPE C/F 14PIN DIP Side plug
2	Annie	2022.4.11	ECND122005 REVISIONS	ENGINEER:	Gavin	5/10-22'	MATERIAL:
1	Annie	2021.7.20	ECND121024 REVISIONS	CHECKED BY:	Keny	5/10-22'	FINISH:
SYM	NAME	DATE	REVISIONS	APPROVED BY:	Keny	5/10-22'	
						TOLERANCE UNLESS OTHERWISE SPECIFIED	
						.X ± 0.25/010	X' ± 4'
						.XX ± 0.20/008	.X' ± 2'
						.XXX ± 0.10/004	.XX' ±

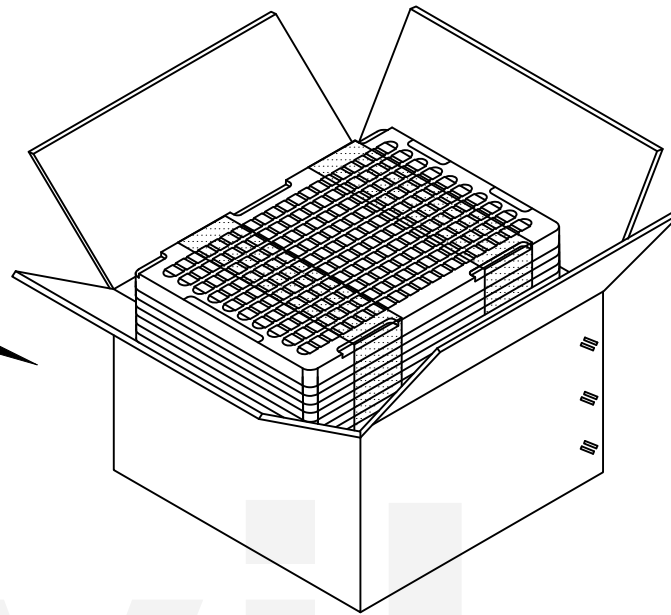
瀚荃股份有限公司
CviLux Corporation

DRAWING NO. **CU35S01SC** PART NO. **CU3514S*SALA001-NH**

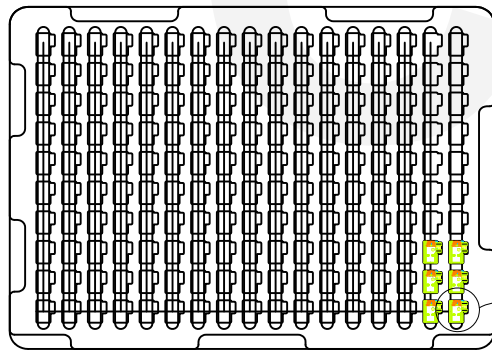
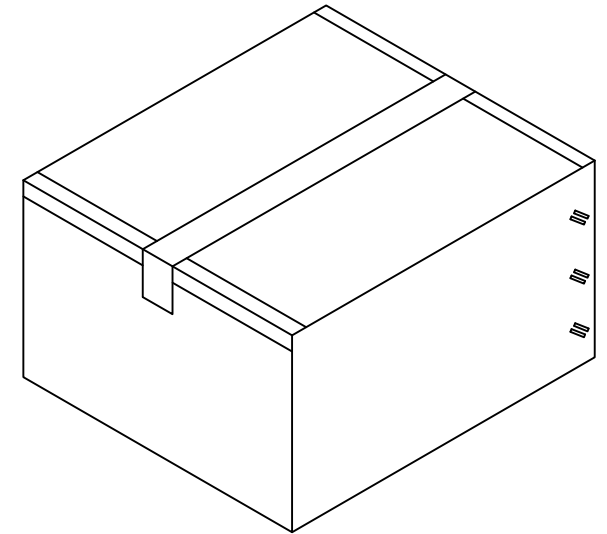
SCALE 1 / 1 SHEET 2 OF 3



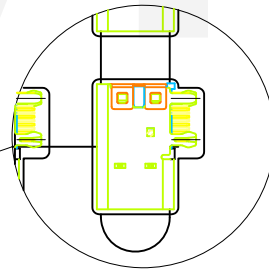
EACH BUNDLE WITH 40LAYERS



EACH CARTON WITH 6800 PCS PRODUCTS



170PCS/TRAY



CVILUX CORP

2022.05.19

ISSUED

Halogen-Free

RoHS Compliant

4					DATE	UNIT: mm / inch	TITLE:
3					DRAWN BY: Annie	5/10-22'	CU35 TYPE C/F 14PIN DIP Side plug
2	Annie	2022.4.11	ECND122005 REVISIONS	ENGINEER: Gavin	5/10-22'	TOLERANCE UNLESS OTHERWISE SPECIFIED	MATERIAL:
1	Annie	2021.7.20	ECND121024 REVISIONS	CHECKED BY: Keny	5/10-22'		
SYM	NAME	DATE	REVISIONS	APPROVED BY: Keny	5/10-22'	.X ±	.X' ± 1'
						.XX ±	.X' ±
						.XXX ±	.XX' ±



瀚荃股份有限公司
CviLux Corporation

DRAWING NO.	CU35S01SC	PART NO.	CU3514S*SALA001-NH
SCALE		SHEET	3 OF 3