

MATERIAL:
 1.HOUSING: LCP, GLASS FIBER FILLED, BK
 2.CONTACT: COPPER ALLOY (T=0.15mm)
 3.SHELL STAINLESS STEEL (T=0.30mm)
 FINISH:
 CONTACT: SEE ORDER INFORMATION
 SHELL: NICKEL PLATING

Ordering Code:

CU33 16 S * S B L R 003 - NH
 ① ② ③ ④ ⑤ ⑥ ⑦ ⑧ ⑨

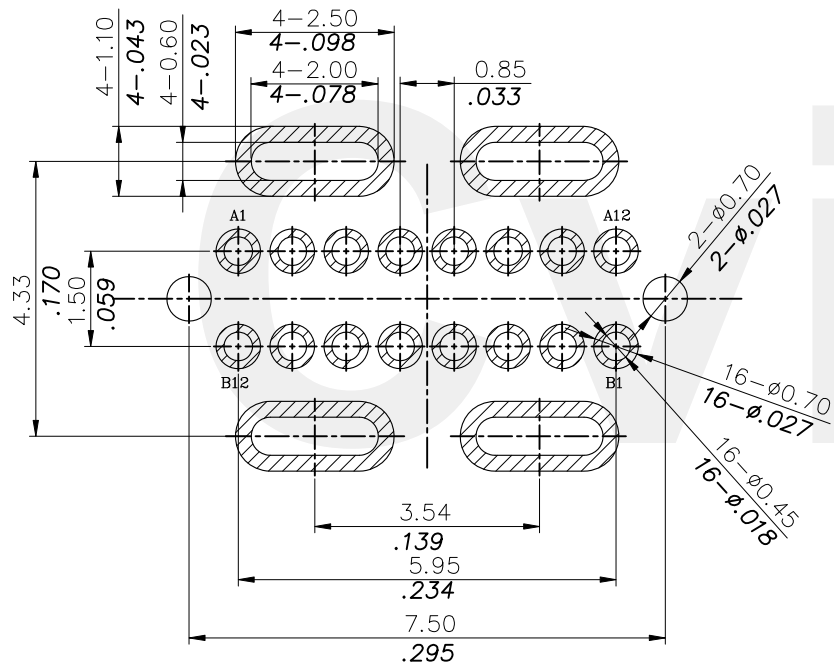
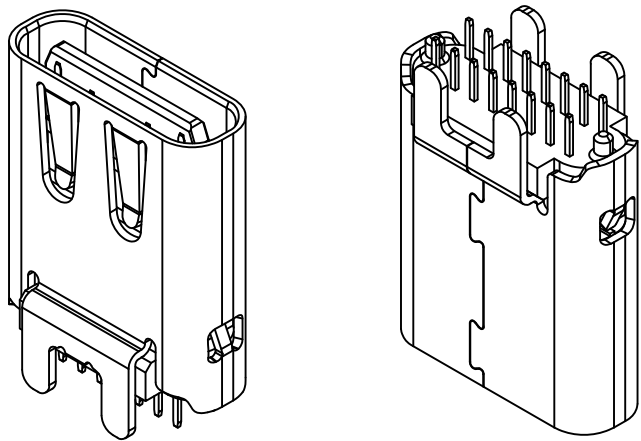
- ① Series No: CU33 VERTICAL TYPE
- ② No of Circuits: 16Pin
- ③ Contact type: S= Socket
- ④ Contact Plating option:
 2= Gold flash over 50u" (1.27um) Nickel
 3= 15u"(0.38um)Gold plated over 50u" (1.27um) Nickel
 4= 30u"(0.76um)Gold plated over 50u" (1.27um) Nickel
- ⑤ Shell Material & Plating: S=STAINLESS STEEL
- ⑥ Contact Material: B= COPPER ALLOY
- ⑦ Insulator Material & Color option:
 L= LCP Black
- ⑧ Packing: R= Tape & Reel
- ⑨ -NH: For Lead Free wave or IR Reflow Processes & Halogen Free

Halogen-Free RoHS Compliant

△	SYM	NAME	DATE	REVISIONS	APPROVED BY:	Kenny	07/20-21'
△4							
△3	Annie	7.20	CHANGE ECND121024	2021.08.12	DRAWN BY:	Annie	07/20-21'
△2	Annie	04/26-21'	Update plating spec	2021.08.12	ENGINEER:	Gavin	07/20-21'
△1	KEVIN	10/30-19'	Update package quantity		CHECKED BY:	Keny	07/20-21'
					APPROVED BY:	Kenny	07/20-21'

TITLE: CU33 TYPE C/F 16PIN H10.30mm VERTICAL TYPE		MATERIAL:		FINISH:	
DRAWING NO.	CU33S02SC	PART NO.	CU3316S*SBLR003-NH	SCALE	1 / 1
SHEET 1 OF 3					





RECOMMENDED P.C.B. LAYOUT (T:1.00mm)

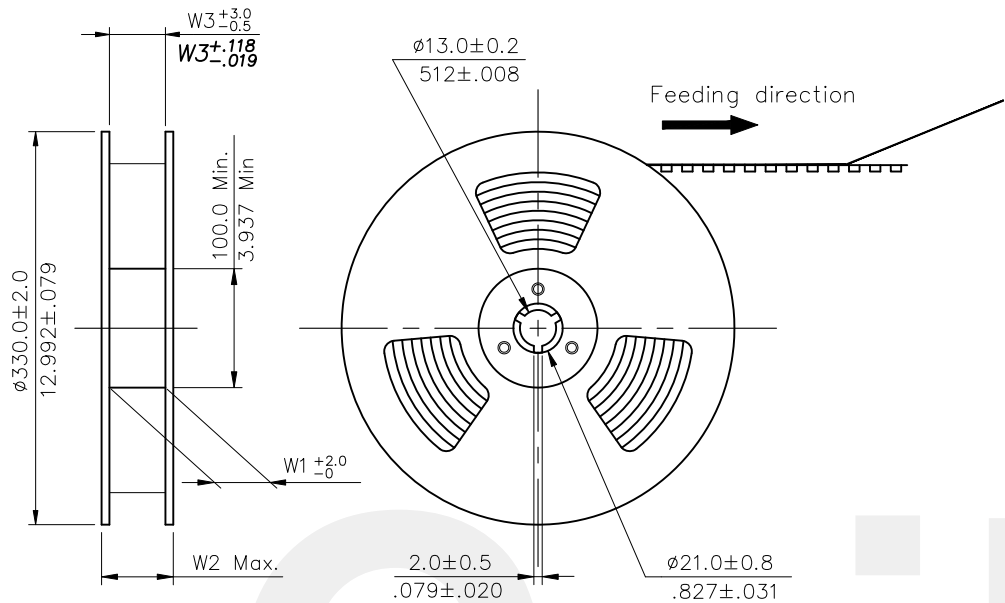
TOLERANCE UNSPECIFIED $\pm 0.05\text{mm}$

SCALE: 2:1

USB TYPE-C FULL-FEATURED RECEPTACLE INTERFACE PIN ASSIGNMENTS

PIN	Signal Name	Description	PIN	Signal Name	Description
A1	GND	Ground return	B12	GND	Ground return
A2	X		B11	X	
A3			B10		
A4	Vbus	Bus Power	B9	VBUS	Bus Power
A5	CC1	Configuration Channel	B8	SBU2	Sideband Use(SBU)
A6	Dp1	Positive half of the USB 2.0 differential pair-Position 1	B7	Dn2	Negative half of the USB 2.0 differential pair-Position 2 \triangle_j
A7	Dn1	Negative half of the USB 2.0 differential pair-Position 1	B6	Dp2	Positive half of the USB 2.0 differential pair-Position 2 \triangle_j
A8	SBU1	Sideband Use(SBU)	B5	CC2	Configuration Channel
A9	VBUS	Bus Power	B4	VBUS	Bus Power
A10	X		B3	X	
A11			B2		
A12	GND	Ground return	B1	GND	Ground return

\triangle_4					DATE	UNIT: mm / inch	TITLE:	瀚荃股份有限公司 CviLux Corporation
\triangle_3	Annie	7.20	CHANGE ECN 0121024	DRAWN BY: Annie	07/20-21'	TOLERANCE UNLESS OTHERWISE SPECIFIED	CU33 TYPE C/F 16PIN H10.30mm VERTICAL TYPE	
\triangle_2	Annie	04/26-21'	Update plating specification	ENGINEER: Gavin	07/20-21'	.X $\pm 0.25/010$.X' ± 4	MATERIAL:	DRAWING NO. CU33S02SC
\triangle_1	KEVIN	10/30-19'	Update package quantity	CHECKED BY: Keny	07/20-21'	.XX $\pm 0.20/008$.X' ± 2	FINISH:	PART NO. CU3316S*SBLR003-NH
SYM	NAME	DATE	REVISIONS	APPROVED BY: Keny	07/20-21'	.XXX $\pm 0.10/004$.XX' \pm		SCALE 2 / 1
								SHEET 2 OF 3

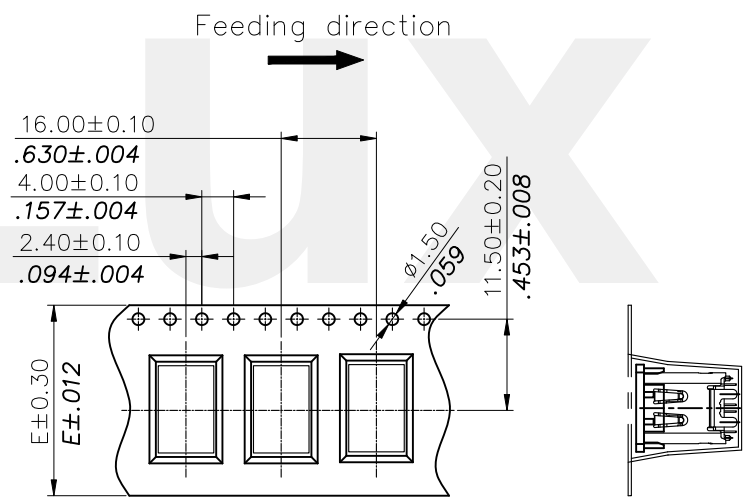
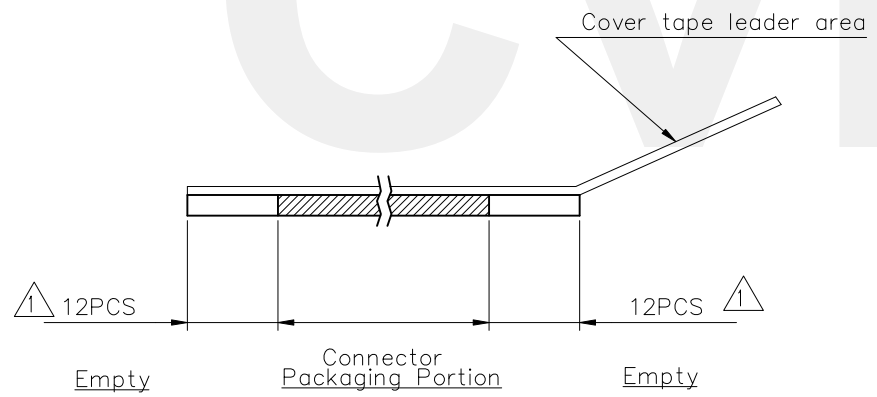



NOTE :

- * Reel Material : HIPS
- * Carrier Material : Black, Conductive Polystyrene Alloy
- * Cover Tape Material : Polyester
- * Cover Tape Peel Strength : 0.1N – 1.3N
- * Carrier camber is within 1mm in 250mm
- * All dimensions meet EIA-481-B requirements.

△* Quantity : 300 PCS/Reel

Dimension				Packing (Reel/Carton)
E	W1	W2	W3	
24.0(.945)	24.5(.965)	30.5(1.201)	24.5(.965)	10



△4					DATE	UNIT: mm / inch	TITLE:	 瀚荃股份有限公司 CviLux Corporation	
△3	Annie	7.20	CHANGE ECN 0110920UP 0121024	DRAWN BY: Annie	07/20-21'	TOLERANCE UNLESS OTHERWISE SPECIFIED	CU33 TYPE C/F 16PIN H10.30mm VERTICAL TYPE		
△2	Annie	04/26-21'	Update plating specification	ENGINEER: Gavin	07/20-21'	.X ±	MATERIAL:	DRAWING NO. CU33S02SC PART NO. CU3316S*SBLR003-NH	
△1	KEVIN	10/30-19'	Update package quantity	CHECKED BY: Keny	07/20-21'	.XX ±	FINISH:		
SYM	NAME	DATE	REVISIONS	APPROVED BY: Keny	07/20-21'	.XXX ±		SCALE	SHEET 3 OF 3