

NOTE1. PIN ASSIGNMENT (P.C.B PADS)

1	2	3	4	5	6	7	8	9	10	11	12
B12/A1	A4/B9	A5	B8	B7	A6	B6	A7	B5	A8	B4/A9	A12/B1
GND	Vbus	CC1	SBU2	D-	D+	D+	D-	CC2	SBU1	Vbus	GND

MATERIAL:

- 1.HOUSING: LCP, GLASS FIBER FILLED, BK
- 2.CONTACT: COPPER ALLOY
- 3.SHIELD: STAINLESS STEEL

FINISH:

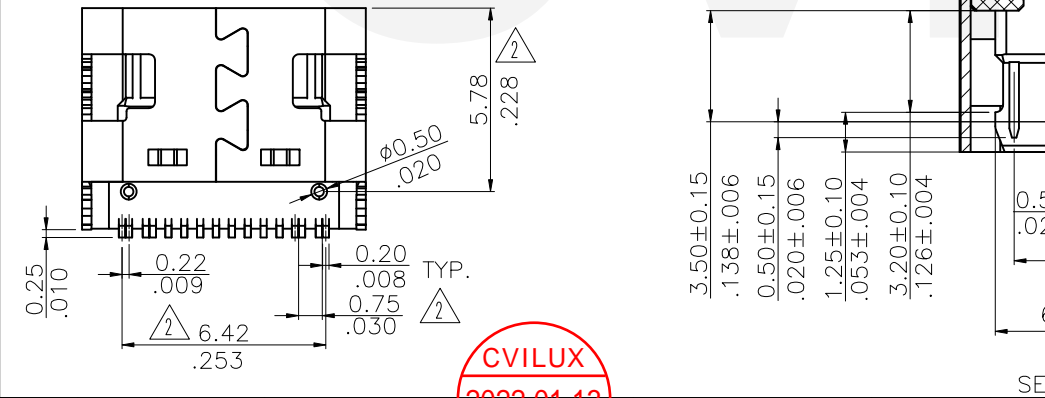
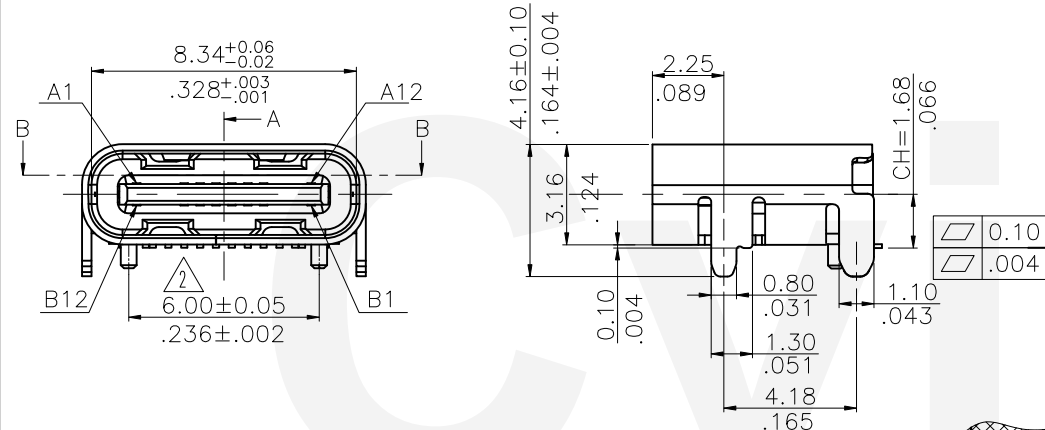
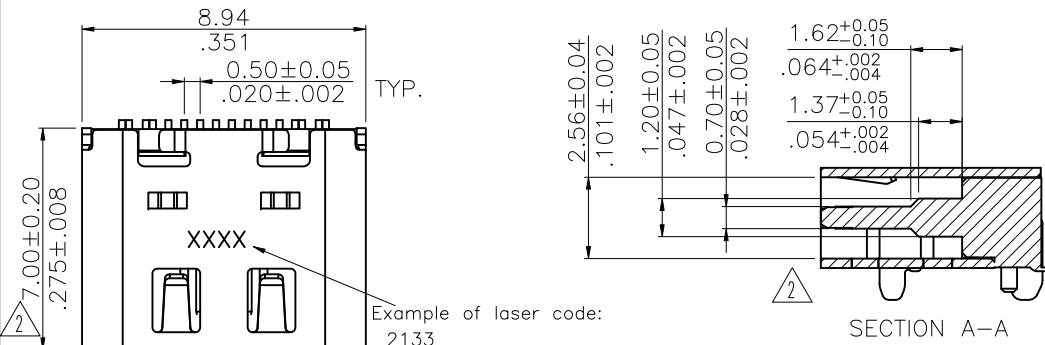
CONTACT: SEE ORDER INFORMATION

SHELL: NICKEL PLATING

Ordering Code:


CU32 16 S \* S D L R 013 -NH  
 ① ② ③ ④ ⑤ ⑥ ⑦ ⑧ ⑨

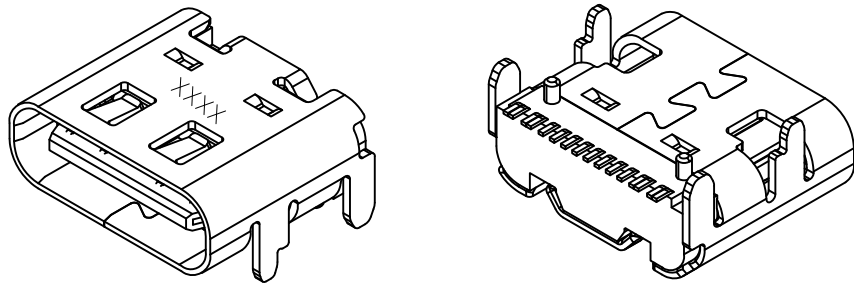
- ① Series No.CU32
- ② No of Circuits:16Pin
- ③ S= Socket
- ④ Plating option:  
 A= Gold Flash plated on Contact area,  
 Matte Tin plated on Solderails,  
 Nickel underplating over all
- 2= Gold flash over 50u" (1.27um) Nickel
- ⑤ Shell Material & Plating:  
 S=SUS 304 Ni Plated
- ⑥ Contact Material: D=Copper Alloy
- ⑦ Insulator Material & Color option:  
 L=Lcp Black
- ⑧ Packing R= Tape & Reel
- ⑨ -NH= For Lead Free wave or IR Reflow Processes & Halogen Free



**CIVILUX**  
 2022.01.13  
 ISSUED

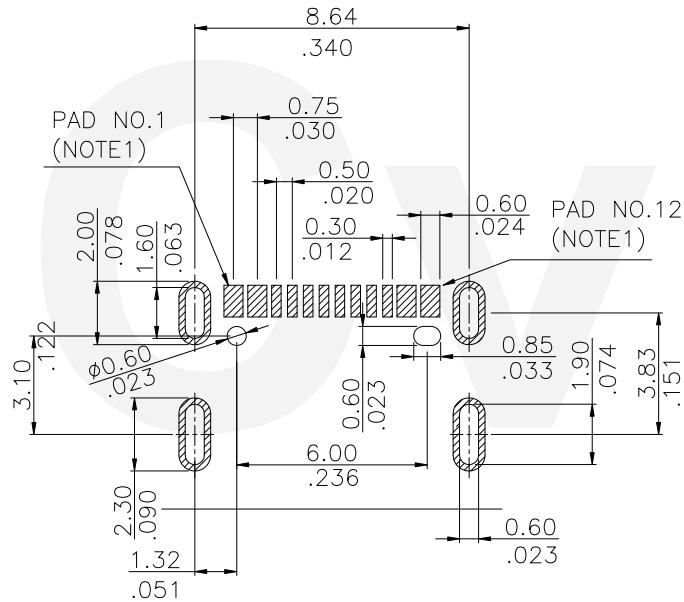
**Halogen-Free** **RoHS Compliant**

④					DATE	UNIT: mm / inch	TITLE: Type C/F 16 PIN CH=1.68mm SMT TYPE TOP MOUNT TYPE	 瀚荃股份有限公司 CviLux Corporation
③				DRAWN BY: Gavin	12/28-21'	TOLERANCE UNLESS OTHERWISE SPECIFIED	MATERIAL:	
②	Keny	10/16-21'	CHANGE ECRD121050	ENGINEER: Gavin	12/28-21'	.X ± 0.25/010 X' ± 4'	FINISH:	DRAWING NO. CU32S13SC PART NO. CU3216S*SDLR013-NH
①	Annie	7/20-21'	CHANGE ECND121024	CHECKED BY: Keny	12/29-21'	.XX ± 0.20/008 X' ± 2'		SCALE 1 / 1 SHEET 1 OF 3
SYM	NAME	DATE	REVISIONS	APPROVED BY: Keny	12/29-21'	.XXX ± 0.10/004 X' ±		



USB TYPE-C FULL-FEATURED RECEPTACLE INTERFACE PIN ASSIGNMENTS

PIN	Signal Name	Description	PIN	Signal Name	Description
A1	GND	Ground return	B12	GND	Ground return
A2	X		B11	X	
A3			B10		
A4	Vbus	Bus Power	B9	VBUS	Bus Power
A5	CC1	Configuration Channel	B8	SBU2	Sideband Use(SBU)
A6	Dp1	Positive half of the USB 2.0 differential pair-Position 1	B7	Dn2	Negative half of the USB 2.0 differential pair-Position 2
A7	Dn1	Negative half of the USB 2.0 differential pair-Position 1	B6	Dp2	Positive half of the USB 2.0 differential pair-Position 2
A8	SBU1	Sideband Use(SBU)	B5	CC2	Configuration Channel
A9	VBUS	Bus Power	B4	VBUS	Bus Power
A10	X		B3	X	
A11			B2		
A12	GND	Ground return	B1	GND	Ground return



RECOMMENDED P.C.B. LAYOUT (T:1.00mm)  
TOLERANCE ±0.05mm



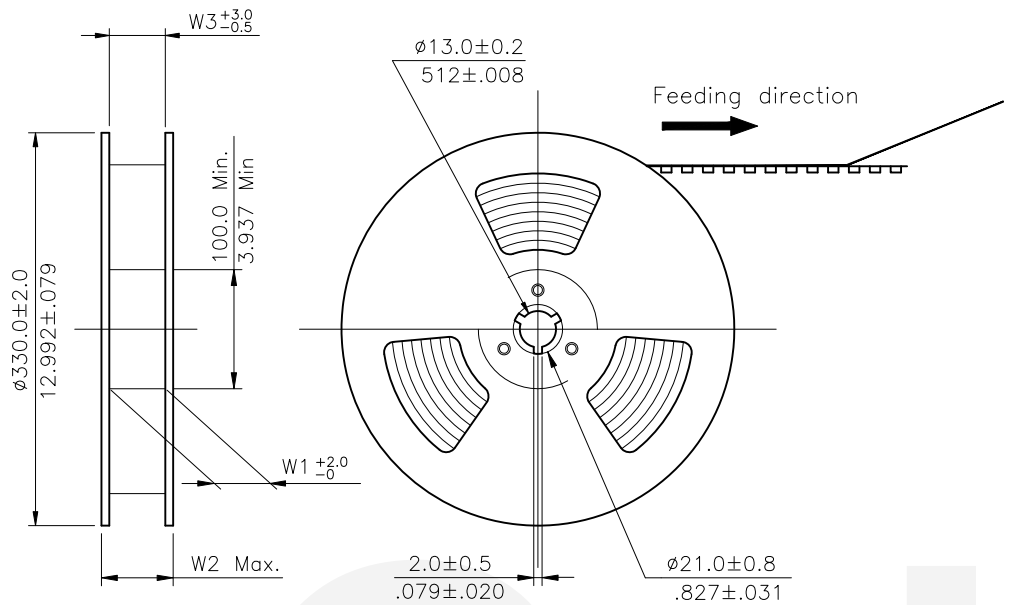
**Halogen-Free** **RoHS Compliant**

4					DATE	UNIT: mm / inch	TITLE: Type C/F 16 PIN CH=1.68mm SMT TYPE TOP MOUNT TYPE
3				DRAWN BY:	Gavin	12/28-21'	MATERIAL:
2	Keny	10/16-21'	CHANGE ECRD121050	ENGINEER:	Gavin	12/28-21'	
1	Annie	7/20-21'	CHANGE ECND121024	CHECKED BY:	Keny	12/29-21'	
SYM	NAME	DATE	REVISIONS	APPROVED BY:	Keny	12/29-21'	
						TOLERANCE UNLESS OTHERWISE SPECIFIED	
						.X ± 0.25/010	X' ± 4'
						.XX ± 0.20/008	X' ± 2'
						.XXX ± 0.10/004	.XX' ±



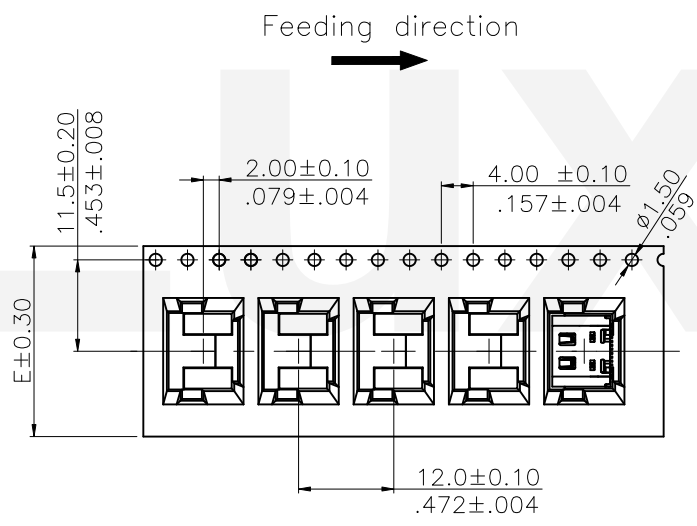
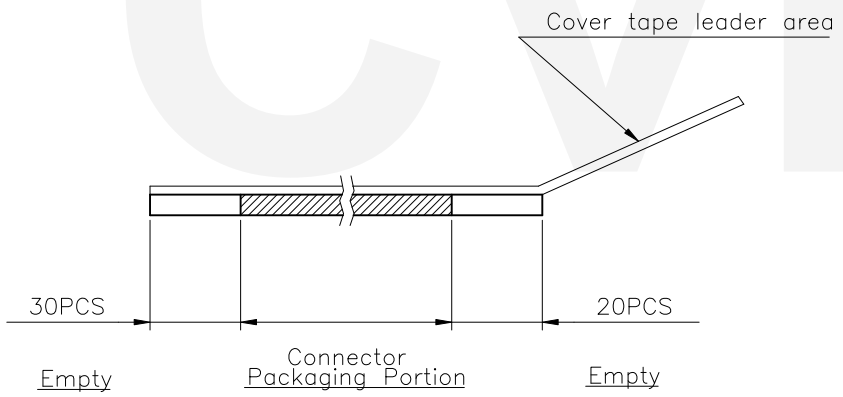
瀚荃股份有限公司  
CviLux Corporation

DRAWING NO.	CU32S13SC	PART NO.	CU3216S*SDLR013-NH
SCALE	1 / 1	SHEET	2 OF 3



- NOTE :
- \* Reel Material : HIPS
  - \* Carrier Material : Clear, Conductive Polystyrene Alloy
  - \* Cover Tape Material : Polyester
  - \* Cover Tape Peel Strength : 0.1N – 1.3N
  - \* Carrier camber is within 1mm in 250mm
  - \* All dimensions meet EIA-481-B requirements.
  - \* Quantity : 800 PCS/Reel

Dimension				Packing (Reel/Carton)
E	W1	W2	W3	
24.0(.945)	24.5(.965)	30.5(1.201)	24.5(.965)	10



**CVILUX**  
2022.01.13  
**ISSUED**

**Halogen-Free** **RoHS Compliant**

REV	SYM	NAME	DATE	REVISIONS	APPROVED BY:	DATE	UNIT: mm / inch	TITLE: Type C/F 16 PIN CH=1.68mm SMT TYPE TOP MOUNT TYPE
4							TOLERANCE UNLESS OTHERWISE SPECIFIED	MATERIAL:
3								
2	Keny	10/16-21'	CHANGE	ECRD121050	ENGINEER:	Gavin	.X ±	.X' ± 1'
1	Annie	7/20-21'	CHANGE	ECND121024	CHECKED BY:	Keny	.XX ±	.X' ±
					APPROVED BY:	Keny	.XXX ±	.XX' ±

**瀚荃股份有限公司**  
**CviLux Corporation**

DRAWING NO.	<b>CU32S13SC</b>	PART NO.	<b>CU3216S*SDLR013-NH</b>
SCALE		SHEET	3 OF 3