

MATERIAL:
 1.HOUSING: LCP, GLASS FIBER FILLED, BK
 2.CONTACT: COPPER ALLOY (T=0.15mm)
 3.MID PLATE: STAINLESS STEEL
 4.SHELL: STAINLESS STEEL .

FINISH:
 CONTACT: SEE ORDER INFORMATION
 SHELL: NICKEL PLATING

Ordering Code:

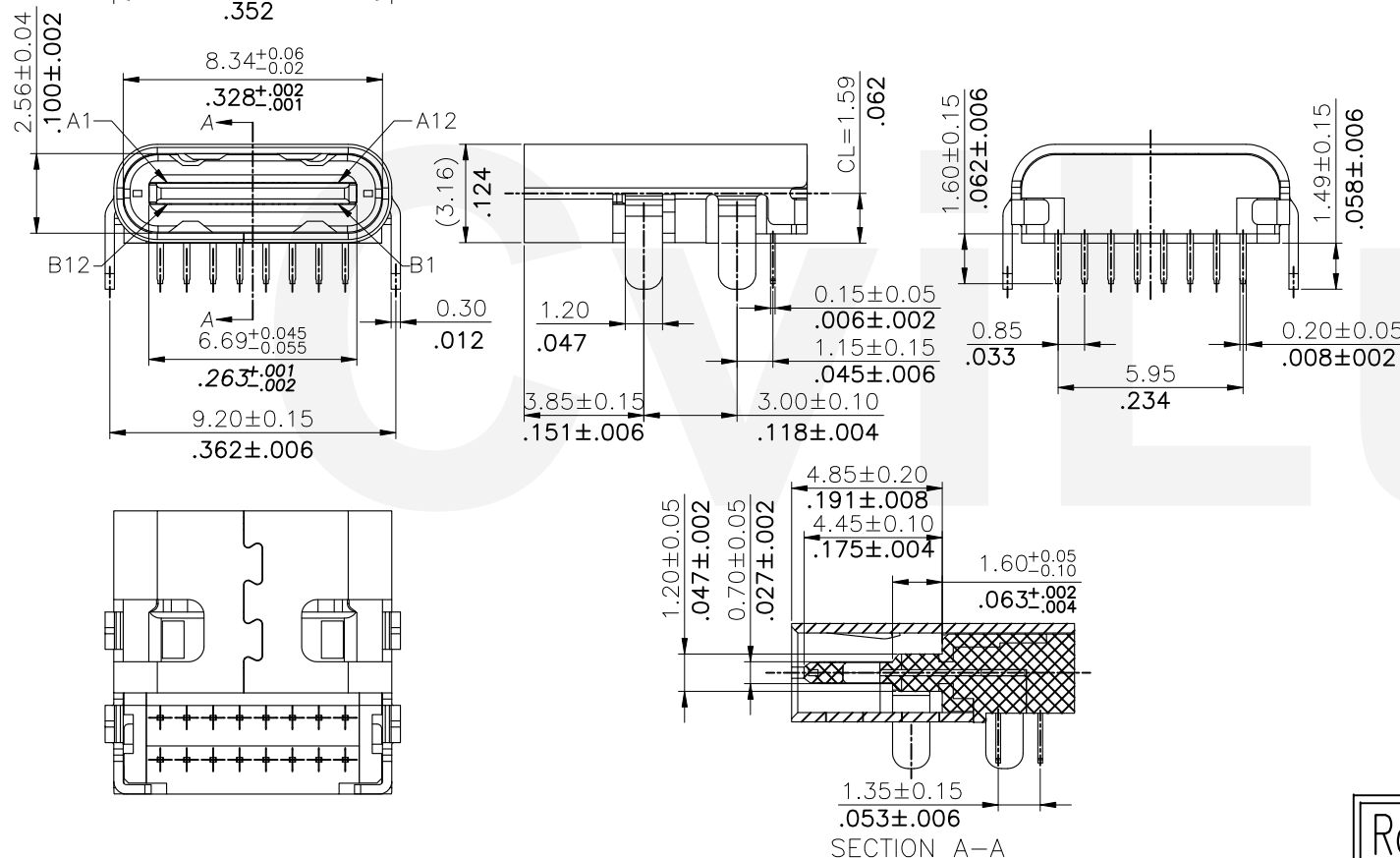
CU32 16 S * S B L R 004 -NH
 ① ② ③ ④ ⑤ ⑥ ⑦ ⑧ ⑨

- ① Series No:CU32
- ② No of Circuits:16Pin
- ③ Contact type:S= Socket
- ④ Contact Plating option:

A= Gold Flash plated on Contact area,
 Matte Tin plated on Solderails,
 Nickel underplating over all
 B= 15u" gold plated on Contact area,
 Matte Tin plated on Solderails,
 Nickel underplating over all
 C= 30u" gold plated on Contact area,
 Matte Tin plated on Solderails,
 Nickel underplating over all

2= Gold flash over 50u" (1.27um) Nickel


- ⑤ Shell Material & Plating:
S=STAINLESS STEEL
- ⑥ Contact Material: B=COPPER ALLOY
- ⑦ Insulator Material & Color option:
L= LCP Black
- ⑧ Packing Option: R= Tape & Reel
- ⑨ -NH: For Lead Free wave or IR Reflow
Processes & Halogen Free



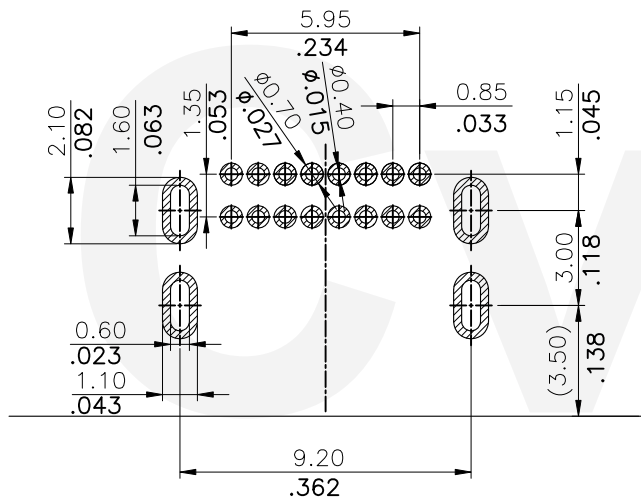
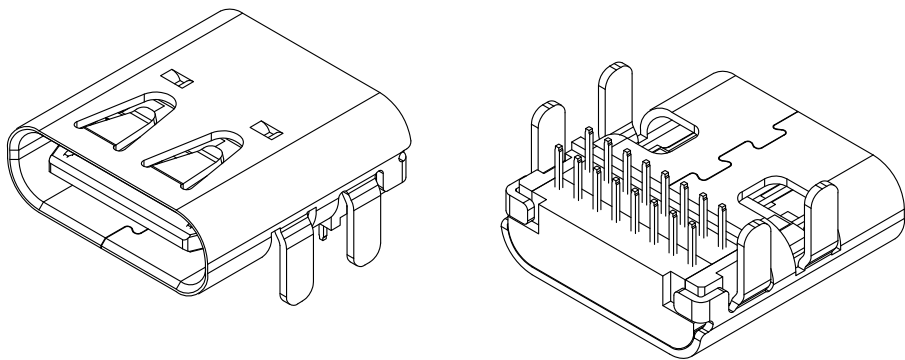
RoHS Compliant

Lead Free Process

Halogen-Free

4					DATE	UNIT: mm / inch	TITLE:	 瀚荃股份有限公司 Cvilux Corporation
3				DRAWN BY: Kevin	09/02-20'	TOLERANCE UNLESS OTHERWISE SPECIFIED	Type C/F 16 PIN CL=1.59mm DIP TYPE TOP MOUNT TYPE	
2				ENGINEER: Kevin	09/02-20'	.X ± 0.25/.010 X.* ± 4'	MATERIAL:	
1				CHECKED BY: Keny	09/02-20'	.XX ± 0.20/.008 X.* ± 2'	FINISH:	
SYM	NAME	DATE	REVISIONS	APPROVED BY: Keny	09/02-20'	.XXX ± 0.10/.004 XX* ±		DRAWING NO. CU32S04SA
								PART NO. CU3216S*SBLR004-NH
								SCALE 1 / 1
								SHEET 1 OF 3

CVILUX CORP
 2020.10.16
 ISSUED



RECOMMENDED P.C.B. LAYOUT (T:1.00mm)

TOLERANCE UNSPECIFIED $\pm 0.05\text{mm}$

USB TYPE-C FULL-FEATURED RECEPTACLE INTERFACE PIN ASSIGNMENTS

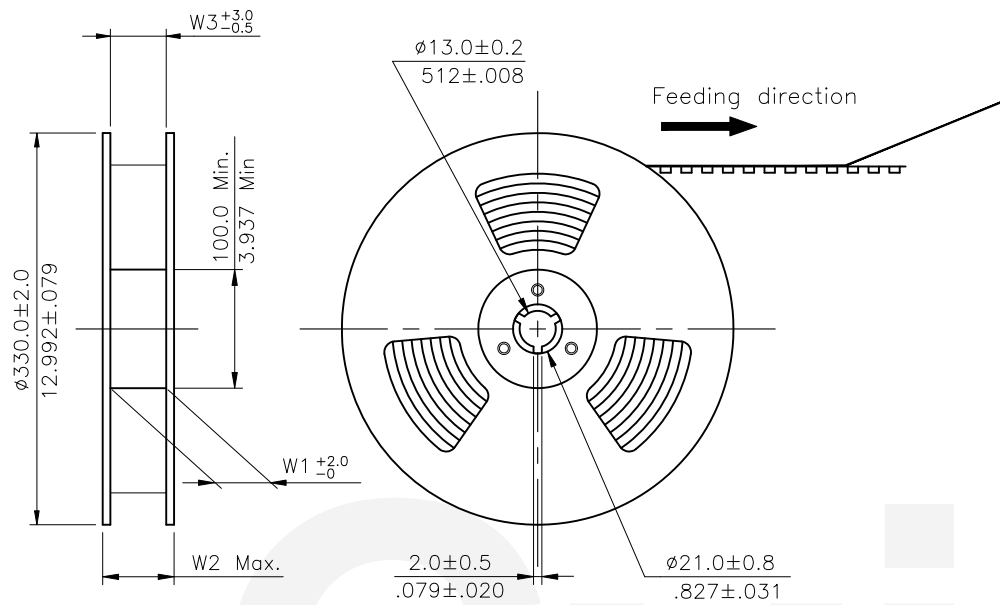
PIN	Signal Name	Description	PIN	Signal Name	Description
A1	GND	Ground return	B12	GND	Ground return
A2	X		B11	X	
A3			B10		
A4	Vbus	Bus Power	B9	VBUS	Bus Power
A5	CC1	Configuration Channel	B8	SBU2	Sideband Use(SBU)
A6	Dp1	Positive half of the USB 2.0 differential pair-Position 1	B7	Dn2	Positive half of the USB 2.0 differential pair-Position 2
A7	Dn1	Negative half of the USB 2.0 differential pair-Position 1	B6	Dp2	Negative half of the USB 2.0 differential pair-Position 2
A8	SBU1	Sideband Use(SBU)	B5	CC2	Configuration Channel
A9	VBUS	Bus Power	B4	VBUS	Bus Power
A10	X		B3	X	
A11			B2		
A12	GND	Ground return	B1	GND	Ground return

RoHS Compliant

Lead Free Process

Halogen-Free

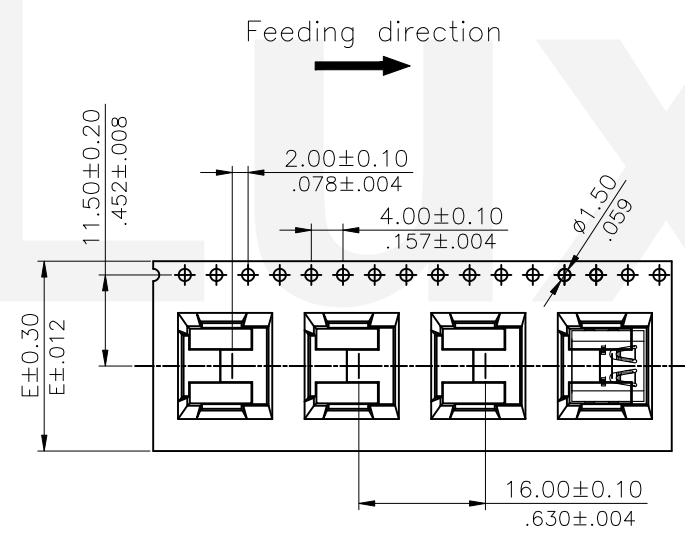
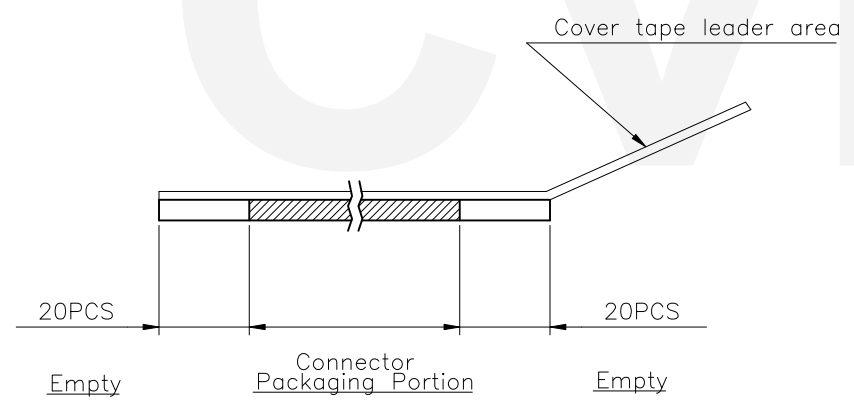
4				DATE	UNIT: mm / inch	TITLE:	 瀚荃股份有限公司 CviLux Corporation			
3				DRAWN BY: Kevin	09/02-20'	Type C/F 16 PIN CL=1.59mm DIP TYPE TOP MOUNT TYPE				
2				ENGINEER: Kevin	09/02-20'	MATERIAL:				
1				CHECKED BY: Keny	09/02-20'	FINISH:				
SYM	NAME	DATE	REVISIONS	APPROVED BY: Keny	09/02-20'					
							DRAWING NO.	CU32S04SA	PART NO.	CU3216S*SBLR004-NH
							SCALE	1 / 1	SHEET	2 OF 3



NOTE :

- * Reel Material : HIPS
- * Carrier Material : Black, Conductive Polystyrene Alloy
- * Cover Tape Material : Polyester
- * Cover Tape Peel Strength : 0.1N – 1.3N
- * Carrier camber is within 1mm in 250mm
- * All dimensions meet EIA-481-B requirements.
- * Quantity : 800 PCS/Reel

Dimension				Packing (Reel/Carton)
E	W1	W2	W3	
24.0(.945)	24.5(.965)	30.5(1.201)	24.5(.965)	10



RoHS Compliant

Lead Free Process

Halogen-Free

4				DATE	UNIT: mm / inch	TITLE:
3				DRAWN BY: Kevin	09/02-20'	Type C/F 16 PIN CL=1.59mm DIP TYPE TOP MOUNT TYPE
2				ENGINEER: Kevin	09/02-20'	MATERIAL:
1				CHECKED BY: Keny	09/02-20'	
SYM	NAME	DATE	REVISIONS	APPROVED BY: Keny	09/02-20'	FINISH:



瀚荃股份有限公司
CvILux Corporation

DRAWING NO.	CU32S04SA	PART NO.	CU3216S*SBLR004-NH
SCALE	1 / 1	SHEET	3 OF 3