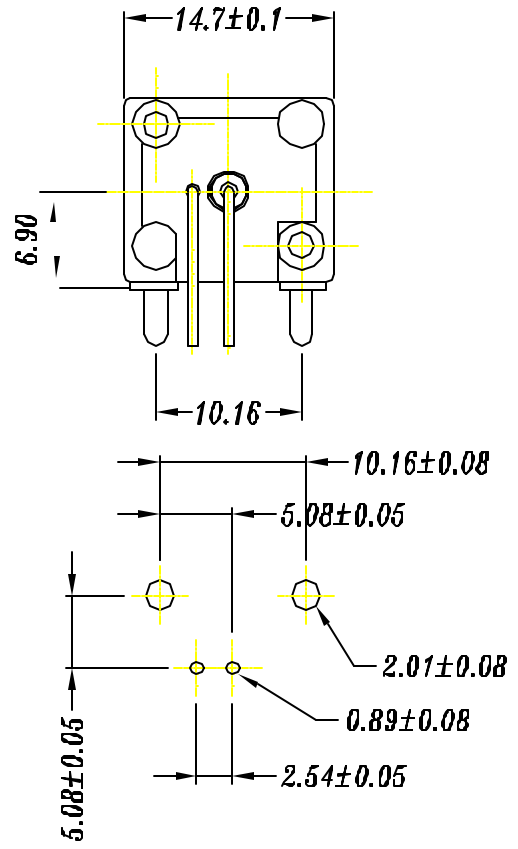
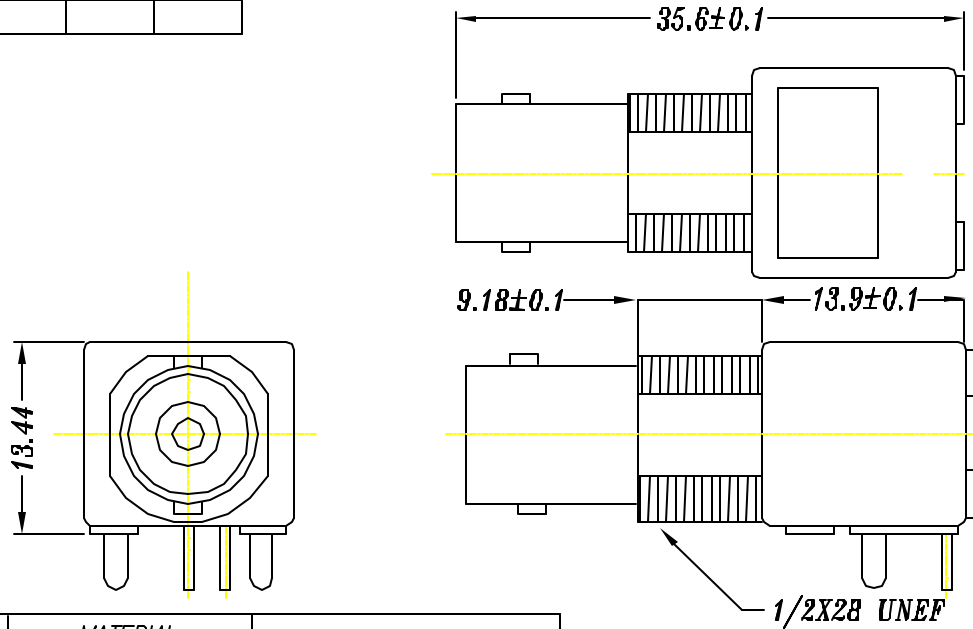


| | | | | | | | | |
|------|--------|------|-------|---|---|---|---|---|
| 1 | 2 | 3 | 4 | 5 | 6 | 7 | 8 | 9 |
| REV. | REMARK | DATE | SIGN. | | | | | |
| ① | | | | | | | | |



| DESCRIPTION | MATERIAL | PLATING |
|----------------|------------------|------------------------------|
| BODY | ZINC DIE CASTING | NICKEL |
| INSULATOR | P.P UL94V-0 | |
| CENTER CONTACT | PHOSPHOR BRONZE | SELECTIVE PLATING GOLD & TIN |
| FIX PIN | BRASS | TIN |
| GROUND PIN | BRASS | TIN |

- 1. NOMINAL IMPEDANCE 50 ohm
- 2. VOLTAGE RATING 500 RMS
- 3. CONTACT RESISTANCE 10mohm MAX
- 4. INSULATION RESISTANCE 500Mohm MIN
- 5. TEMPERATURE RANGE -55°C TO +85°C

| | | | | | | | | | | | |
|--------------------|-------|--------------------------------------|--------------|---------|----------|-----------|---|-------|----------|---------|--|
| BOMAR INTERCONNECT | DESC. | BNC R/A PCB Standard Profile (Metal) | APPROVED | CHECKED | DESIGNED | TOLERANCE | SCALE | 2 = 1 | UNIT | mm | |
| | P/N | 364M595L | CUSTOMER P/N | | | LAI. | X.X : ±0.1 X.XX : ±0.05 X.XXX : ±0.02 | DATE | 99/01/11 | DWG NO: | |