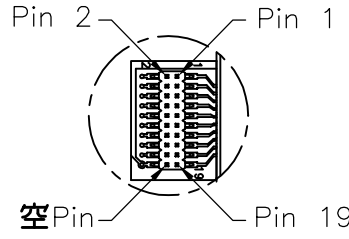
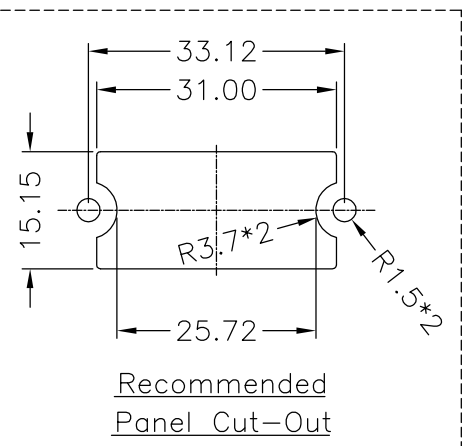
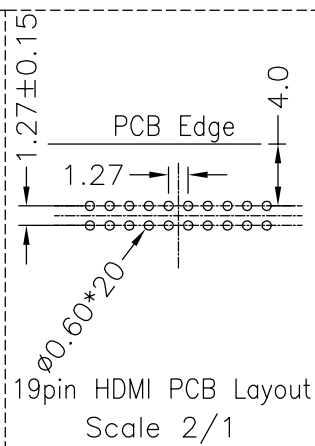
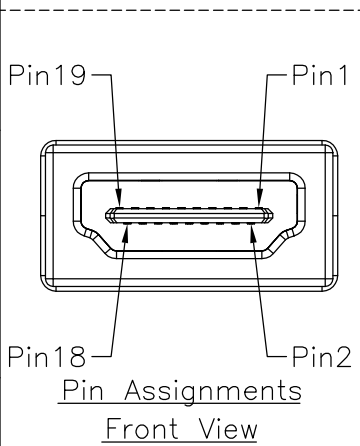
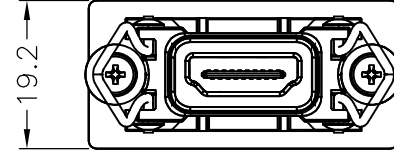
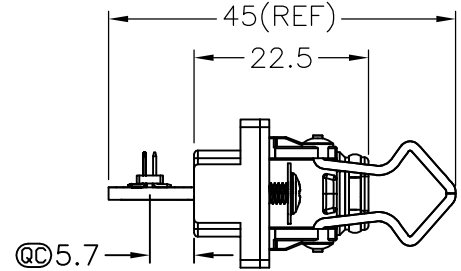
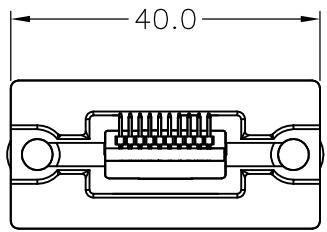
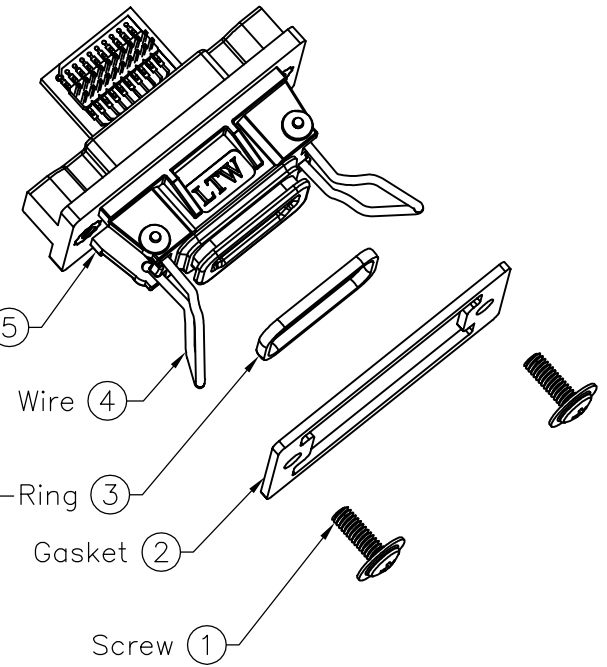
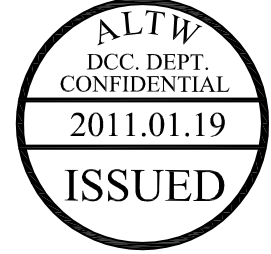
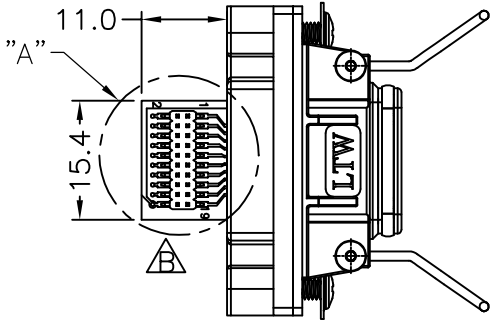


5	6	7	8	
REV.	ECN NO.	DATE	SIGN	DESCRIPTION
A	Initial Release	2008/06/19	Jimmy	Rev.10 Change To Rev.A
B	LEN1110457	2011/01/13	Jiang Jun Hua	Add Pin Out.

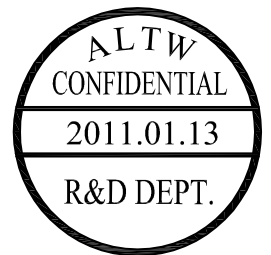
THIS DOCUMENT IS SUBJECT TO CHANGE WITHOUT NOTICE. IT IS CONFIDENTIAL AND A PROPERTY OF Amphenol LTW. DISCLOSURE TO THIRD PARTY HAS TO BE AUTHORIZED BY Amphenol LTW.



Scale: 1:1  
Detail A



- Note:
- \* @C Important Dimension.
  - \* Waterproof Rate: IP67
  - \* Connector: 19Pin HDMI Jack
  - \* Pin: Copper Alloy, Gold Plated
  - \* Gasket: Black, EPDM
  - \* Oring: Black, Silicon
  - \* Latch Wire: Stainless Steel
  - \* For Panel Thickness Min 2.0mm
  - \* For Panel Thickness Max 4.0mm



UNIT:mm	
TOLERANCE	
.X	±0.25
.XX	±0.1
.XXX	±0.05
ANGLES	±1°

TITLE		HDMI Panel Latch 19 F Conn F Pin	
SCALE	Free	SHEET	1 OF 1
REV.	B	SIZE	A4
		@C	:Inspection Item

**Amphenol LTW**  
安費諾亮泰企業股份有限公司

ITEM NO	HJ-19PFFR-QS7001
DWG NO	HJ-19PFFR-QS7001
CUSTOMER	ALTW

DRAWN BY	Jiang Jun Hua
CHECKED BY	Tina
APPROVED BY	Can

DATE	2011/01/13
DATE	2011/01/13
DATE	2011/01/13