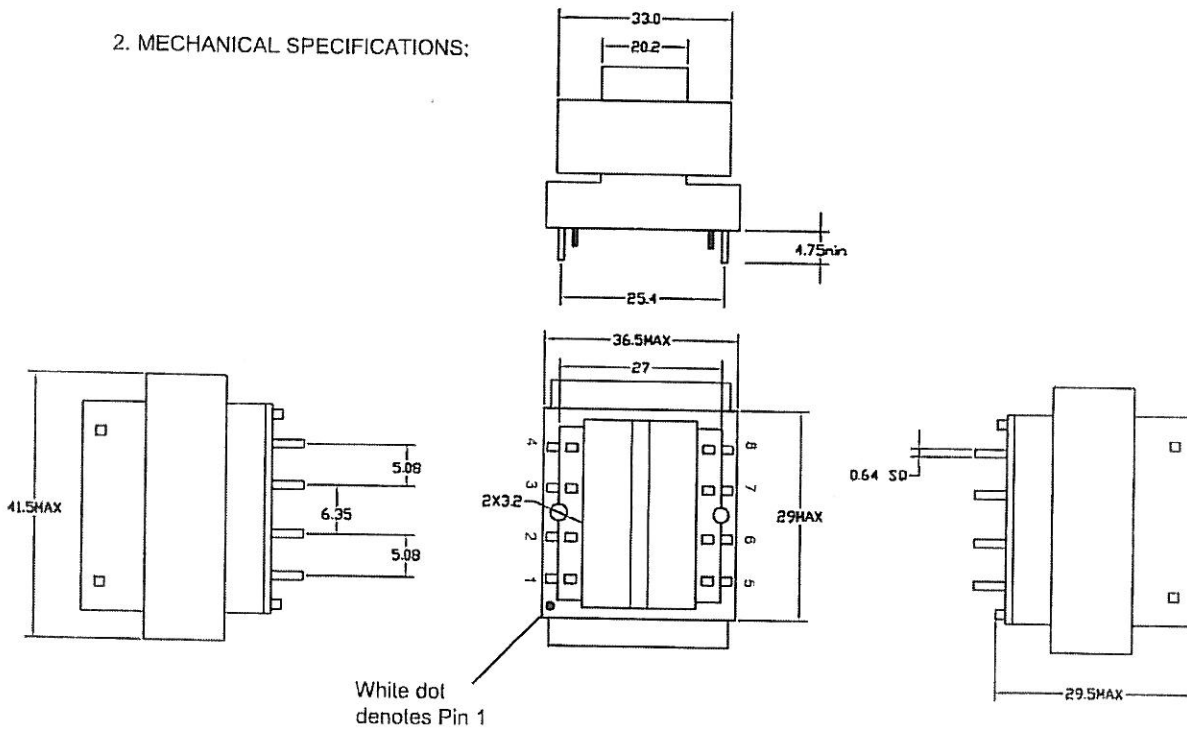


TRANSFORMER, POWER, PCB 2.5VA INTERNATIONAL SERIES
 DUAL 115/230V PRIMARIES AND DUAL SECONDARIES

1. ELECTRICAL SPECIFICATIONS:

- A. Input Voltage and Frequency: 115/230V± @ 50/60 Hz
- B. Secondary Voltage: See Electrical Table
- C. Temperature Rise: 85°C MAX allowed.
- D. Insulation Resistance:
 - 100M OHM MIN @ 500VDC PRI to SEC, PRI to CORE
 - 100M OHM MIN @ 500VDC SEC to CORE
- E. Hi-Pot: 4200Vrms 1 minute @ PRI to SEC
 4200Vrms 1 minute @ PRI to CORE
 4200Vrms 1 minute @ SEC to CORE
- F. Safety:
 - Insulation System Designation ZM130-7, Class B, UL File No.177235
 - UL1585, Class 2, 3, US and Canada, UL File No.E214561
 - CE Declaration of Conformity:
 - IEC EN61558-1, UL1585 Class 2, 3

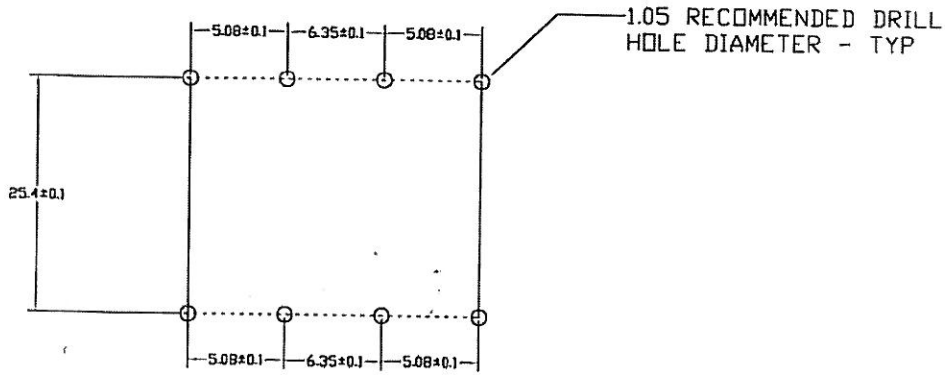
2. MECHANICAL SPECIFICATIONS:



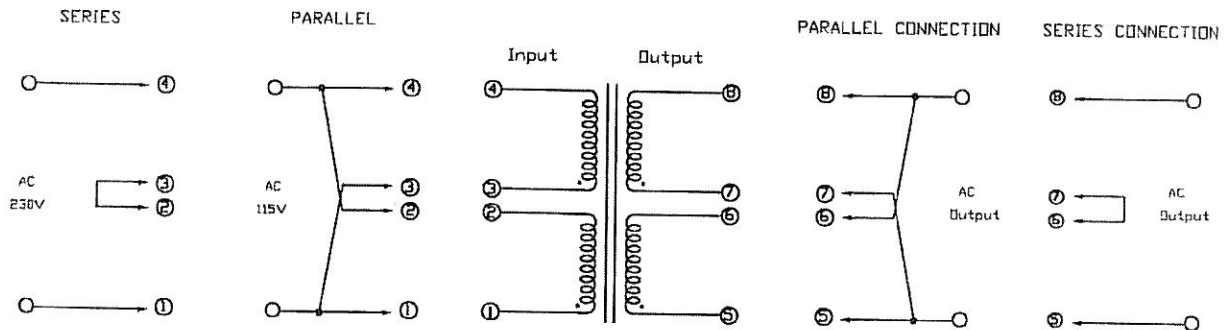
B	SAFETY	Winston	July 22, 2004
A	CREATED DRAWING	ZHENG	Aug 23, 2002
REV.	DESCRIPTION	DRAWN	DATE(M/D/Y)

TOLERANCE	SCALE NOT 1:1	UNIT mm	DATE (M/D/Y)	MODEL DESCRIPTION	
X	±0.3	DRAWN	ZHENG	XIAMEN ZETTLER	MATERIAL Class B 130°C
X.X	±0.2	CHECKED	YUZH Y		MODEL:
X.XX	±0.1	QC	LIUZH Q		AHI025 SERIES
THICKNESS	/	APPROVED	Roger Ding	TITLE AHI025 SERIES PCD	SHEET: 1 OF 2
REV.	A	E:\ACAD\AHI025SERIES\AHI025SERIESPCD			

3. MOUNTING FOOTPRINT:



4. SCHEMATIC DIAGRAM:



5. ELECTRICAL TABLE:

INPUT	SERIES / PARALLEL			
	PARALLEL CONNECTION		SERIES CONNECTION	
OUTPUT	AC VOLTS	RMS AMPS	AC VOLTS	RMS AMPS
AHI02510	5V	0.5A	10V	0.25A
AHI02512	6.3V	0.4A	12.6V	0.2A
AHI02516	8V	0.3A	16V	0.15A
AHI02520	10V	0.24A	20V	0.12A
AHI02524	12V	0.2A	24V	0.1A
AHI02528	14V	0.18A	28V	0.09A
AHI02536	18V	0.14A	36V	0.07A

A	CREATED DRAWING	ZHENG	Oct 29,2002
REV.	DESCRIPTION	DRAWN	DATE(M/D/Y)

TOLERANCE		SCALE	UNIT	DATE	MODEL DESCRIPTION
		NOT 1:1	mm	(M/D/Y)	
X	±0.3	DRAWN	ZHENG	Oct 29,2002	XIAMEN ZETTLER
X.X	±0.2	CHECKED	YUZHYY	Oct 29,2002	
X.XX	±0.1	QC	LIUZHQ	Oct 29,2002	
THICKNESS	/	APPROVED	Roger Ding	Oct 29,2002	TITLE
REV.	A	E:\ACAD\AHI025SERIES\AHI025SERIESPCD			AHI025 SERIES PCD
					MATERIAL
					Class B 130°C
					MODEL:
					AHI025 SERIES
					SHEET: 2 OF 2