

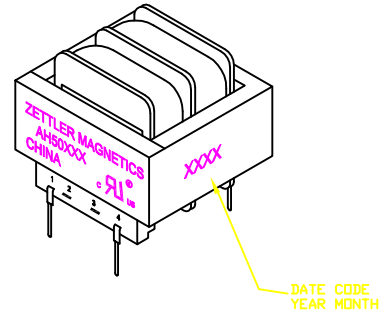
TRANSFORMER, POWER, PCB 12VA
 SINGLE 115V PRIMARY AND DUAL SECONDARIES

1. ELECTRICAL SPECIFICATIONS:

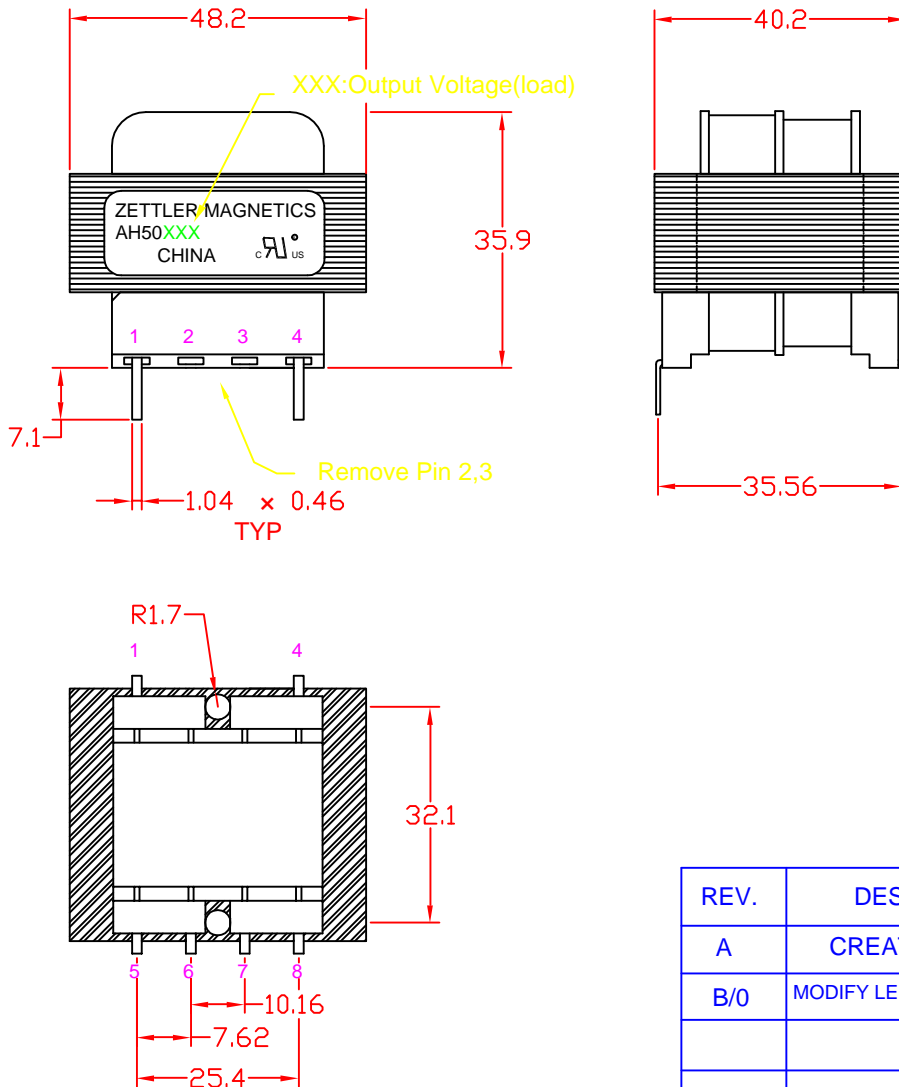
- A. Maximum Power: 12VA
- B. Input Voltage and Frequency: 115V±10% @ 50/60Hz
- C. Secondary Voltage: See Electrical Table
- D. Temperature Rise: 45° C MAX allowed
- E. Excitation Current: 55 mA MAX
- F. Hi-Pot: 2500Vrms 1 minute @ Pri. to Sec.
 1500Vrms 1 minute @ Pri. to Core
 1500Vrms 1 minute @ Sec. to Core

G. Safety:

Insulation System ZM-130-5, Class B, UL File No.E177235
 UL506, General Purpose, US and Canada, File No.E177998



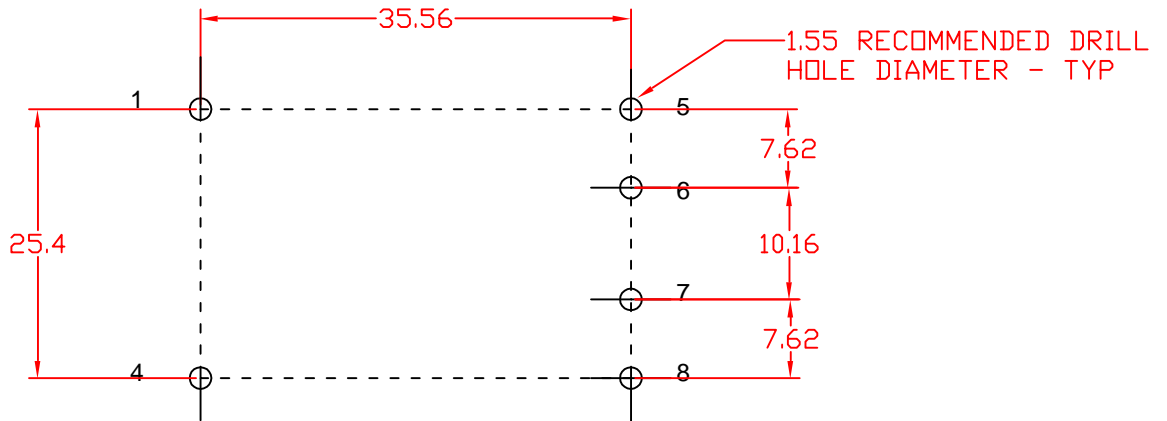
2. MECHANICAL SPECIFICATIONS:



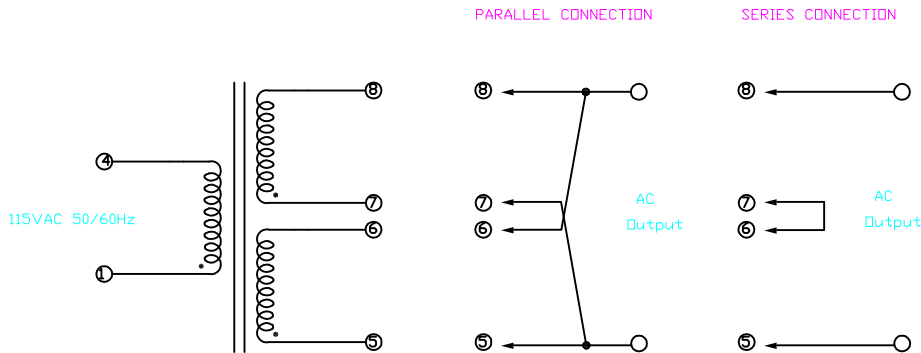
REV.	DESCRIPTION	DRAWN	DATE(M/D/Y)
A	CREATED DRAWING	ZHENG	June 17,2002
B/0	MODIFY LENGTHS OF THE PIN	ye	June 12,2006

TOLERANCE	SCALE NOT 1:1	UNIT mm	DATE (M/D/Y)	MODEL DESCRIPTION	
X	±0.3	DRAWN	ye	XIAMEN ZETTLER MATERIAL Class B 130° C MODEL: AH500 SERIES SHEET: 1 OF 2	
X.X	±0.2	CHECKED			
X.XX	±0.1	QC			
THICKNESS	/	APPROVED			
REV.	B/0	E:\ACAD\AH500SERIES\AH500SERIESPCD		TITLE AH500 SERIES PCD	

3. MOUNTING FOOTPRINT:



4. SCHEMATIC DIAGRAM:



5. ELECTRICAL TABLE:

PART NO.	PARALLEL CONNECTION		SERIES CONNECTION	
	AC VOLTAGE	CURRENT	AC VOLTAGE	CURRENT
AH50010	5V	2.4A	10V	1.2A
AH50012	6.3V	2.0A	12.6V	1.0A
AH50016	8V	1.6A	16V	0.8A
AH50020	10V	1.2A	20V	0.6A
AH50024	12V	1.0A	24V	0.5A
AH50028	14V	0.84A	28V	0.42A
AH50036	18V	0.7A	36V	0.35A
AH50048	24V	0.5A	48V	0.25A
AH50056	28V	0.44A	56V	0.22A
AH50120	60V	0.2A	120V	0.1A

REV.	DESCRIPTION	DRAWN	DATE(M/D/Y)
A	CREATED DRAWING	ZHENG	June 17,2002
B/0	MODIFY LENGTHS OF THE PIN	ye	June 12,2006

TOLERANCE	SCALE NOT 1:1	UNIT mm	DATE (M/D/Y)	MODEL DESCRIPTION	
X	±0.3	DRAWN	ye	XIAMEN ZETTLER	MATERIAL Class B 130° C
X.X	±0.2	CHECKED			MODEL: AH500 SERIES
X.XX	±0.1	QC			TITLE AH500 SERIES PCD
THICKNESS	/	APPROVED			SHEET: 2 OF 2
REV.	B/0	E:\ACAD\AH500SERIES\AH500SERIESPCD			