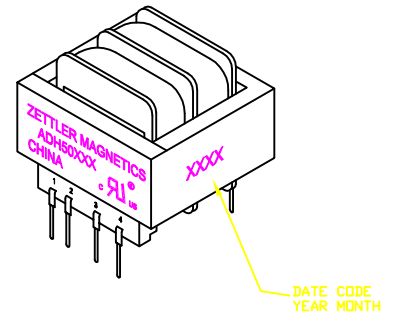


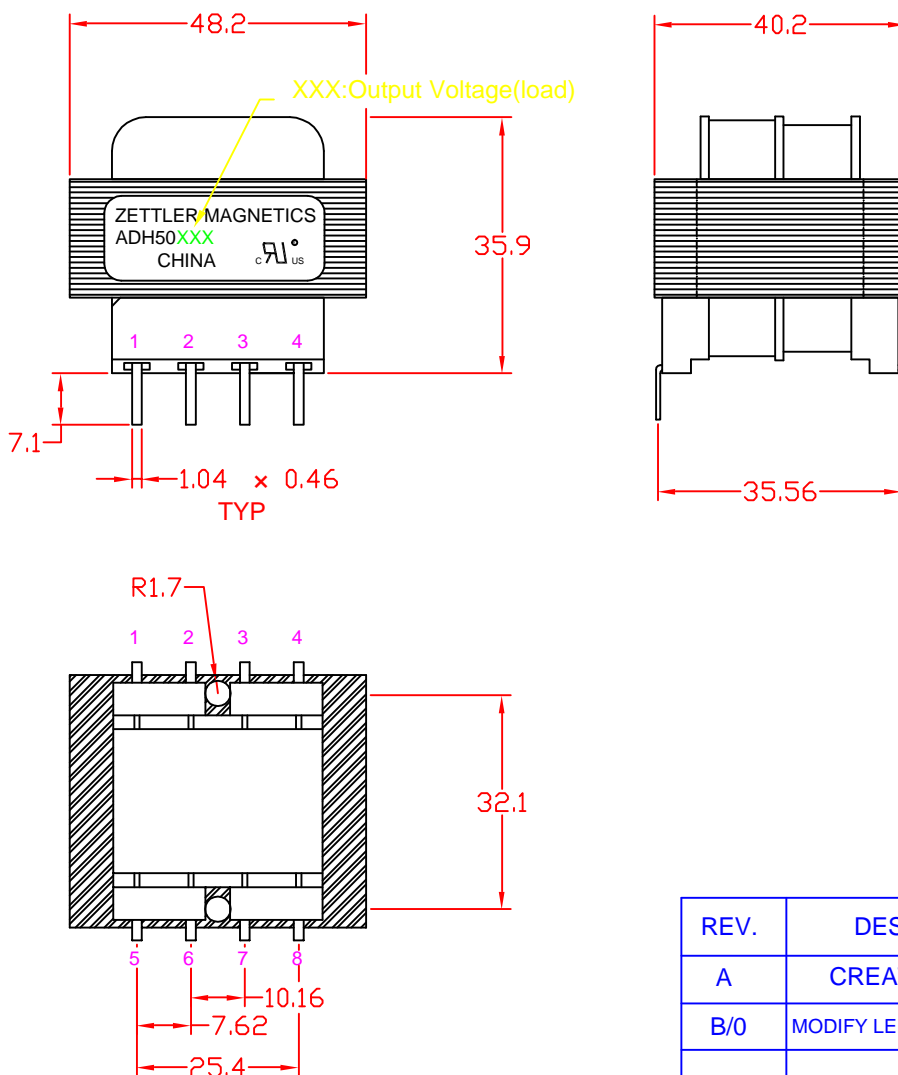
TRANSFORMER, POWER, PCB 12VA
 DUAL 115/230V PRIMARIES AND DUAL SECONDARIES

1. ELECTRICAL SPECIFICATIONS:

- A. Maximum Power: 12.0VA
- B. Input Voltage and Frequency: 115/230V± 10% @ 50/60Hz
- C. Secondary Voltage: See Electrical Table
- D. Temperature Rise: 45° C MAX allowed
- E. Excitation Current: 55 mA MAX
- F. Hi-Pot: 2500Vrms 1 minute @ Pri. to Sec.
 1500Vrms 1 minute @ Pri. to Core
 1500Vrms 1 minute @ Sec. to Core
- G. Safety:
 Insulation System ZM-130-5, Class B, UL File No.E177235
 UL506, General Purpose, US and Canada, File No.E177998



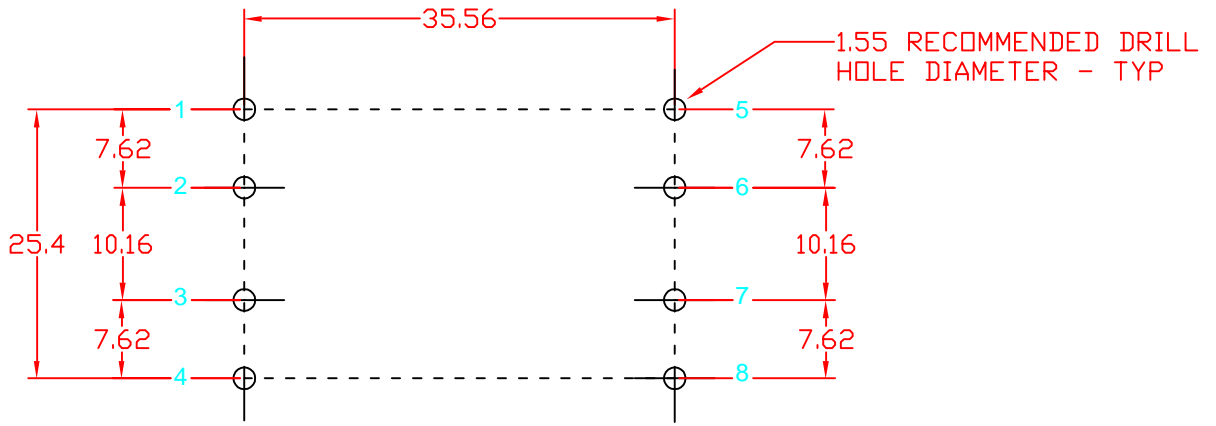
2. MECHANICAL SPECIFICATIONS:



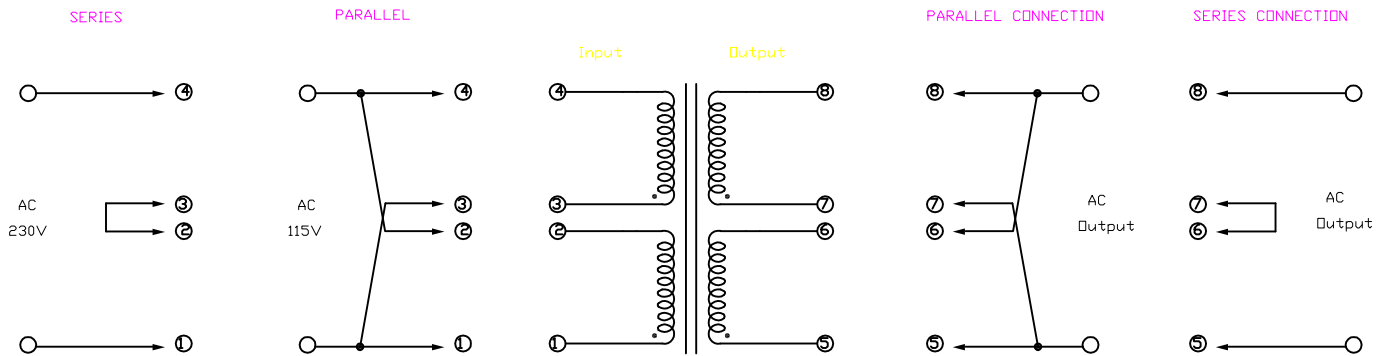
REV.	DESCRIPTION	DRAWN	DATE(M/D/Y)
A	CREATED DRAWING	ZHENG	June 17,2002
B/0	MODIFY LENGTHS OF THE PIN	ye	June 12,2006

TOLERANCE		SCALE NOT 1:1	UNIT mm	DATE (M/D/Y)	MODEL DESCRIPTION		
X	±0.3	DRAWN	ye	June 12,2006	XIAMEN ZETTLER	MATERIAL Class B 130° C	
X.X	±0.2	CHECKED				MODEL: ADH500 SERIES	
X.XX	±0.1	QC			TITLE ADH500 SERIES PCD	SHEET: 1 OF 2	
THICKNESS	/	APPROVED					
REV.	B/0	E:\ACAD\ADH500SERIES\ADH500SERIESPCD					

3. MOUNTING FOOTPRINT:



4. SCHEMATIC DIAGRAM:



5. ELECTRICAL TABLE:

INPUT	SERIES / PARALLEL			
	PARALLEL CONNECTION		SERIES CONNECTION	
OUTPUT	AC VOLTS	RMS AMPS	AC VOLTS	RMS AMPS
ADH50010	5V	2.4A	10V	1.2A
ADH50012	6.3V	2.0A	12.6V	1.0A
ADH50016	8V	1.6A	16V	0.8A
ADH50020	10V	1.2A	20V	0.6A
ADH50024	12V	1.0A	24V	0.5A
ADH50028	14V	0.84A	28V	0.42A
ADH50036	18V	0.7A	36V	0.35A
ADH50048	24V	0.5A	48V	0.25A
ADH50056	28V	0.44A	56V	0.22A
ADH500120	60V	0.2A	120V	0.1A

REV.	DESCRIPTION	DRAWN	DATE(M/D/Y)
A	CREATED DRAWING	ZHENG	June 17,2002
B/0	MODIFY LENGTHS OF THE PIN	ye	June 12,2006

TOLERANCE	SCALE NOT 1:1	UNIT mm	DATE (M/D/Y)	MODEL DESCRIPTION	
X	±0.3	DRAWN	ye	XIAMEN ZETTLER	MATERIAL Class B 130° C
X.X	±0.2	CHECKED			MODEL: ADH500 SERIES
X.XX	±0.1	QC			
THICKNESS	/	APPROVED			
REV.	B/0	E:\ACAD\ADH500SERIES\ADH500SERIESPCD		TITLE ADH500 SERIES PCD	SHEET: 2 OF 2