

ZETTLER Magnetics, Inc.
The Power to Transform

AH/ADH - Power PCB Transformer - Horizontal Split Bobbin



Features

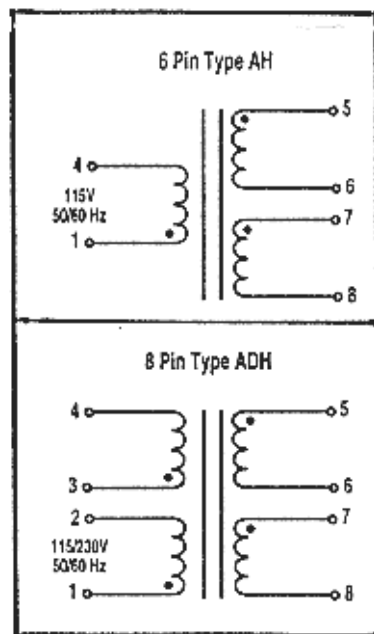
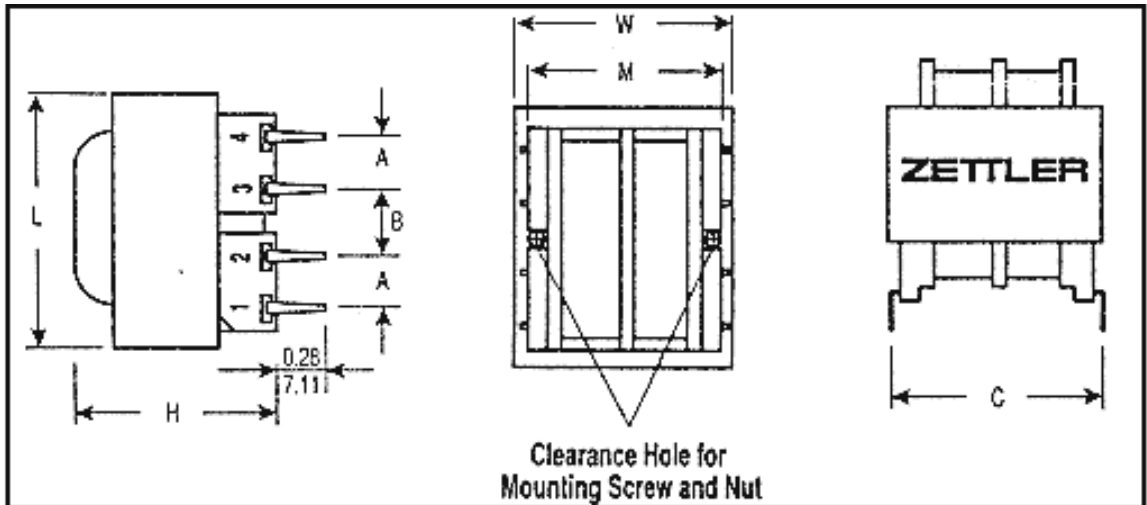
- Is UL recognized for use in the US and Canada
- UL approved Class B (130° C) Insulation System
- Split Bobbin Design
- Dielectric Strength 2500 Vrms
- Single 115V and dual 115/230V primaries at 50/60Hz are offered as standard
- Standard Dual Secondaries for a Variety of Applications
- Precision Molded-in Terminals
- Available in 6 Standard Sizes for a Variety of Power Requirements

Outline Dimensions

Inches .xxx ± 0.010
mm .xx ± 0.25



SIZE	VA	L	W	H	M	A	B	C	WT. (lbs.)
2	1.1	<u>1.375</u> 34.93	<u>1.125</u> 28.58	<u>0.930</u> 23.62	—	<u>0.250</u> 6.35	<u>0.250</u> 6.35	<u>1.220</u> 30.99	0.17
3	2.4	<u>1.375</u> 34.93	<u>1.125</u> 28.58	<u>1.170</u> 29.72	—	<u>0.250</u> 6.35	<u>0.250</u> 6.35	<u>1.220</u> 30.99	0.25
4	6.0	<u>1.625</u> 41.28	<u>1.313</u> 33.35	<u>1.290</u> 32.77	<u>1.063</u> 26.99	<u>0.250</u> 6.35	<u>0.350</u> 8.89	<u>1.280</u> 32.51	0.44
5	12.0	<u>1.875</u> 47.63	<u>1.563</u> 39.69	<u>1.410</u> 35.81	<u>1.250</u> 31.75	<u>0.300</u> 7.62	<u>0.400</u> 10.16	<u>1.400</u> 35.56	0.70
6	20.0	<u>2.250</u> 57.15	<u>1.875</u> 47.63	<u>1.410</u> 35.81	<u>1.500</u> 38.10	<u>0.300</u> 7.62	<u>0.400</u> 10.16	<u>1.590</u> 40.39	0.80
7	36.0	<u>2.625</u> 66.68	<u>2.188</u> 55.56	<u>1.560</u> 39.62	—	<u>0.400</u> 10.16	<u>0.400</u> 10.16	<u>1.840</u> 46.74	1.1



		Secondary RMS Rating	
Single 115V 6 PIN	Dual 115V/230V 8 PIN	Series	Parallel
AH20010 AH30010 AH40010 AH50010 AH60010 AH20012	ADH20010 ADH30010 ADH40010 ADH50010 ADH60010 ADH20012	10VCT @ 0.110A 10VCT @ 0.250A 10VCT @ 0.600A 10VCT @ 1.200A 10VCT @ 2.000A 12.6VCT @	5V @ 0.220A 5V @ 0.500A 5V @ 1.200A 5V @ 2.400A 5V @ 4.000A 6.3V @ 0.180A

[AH30012](#)
[AH40012](#)
[AH50012](#)
[AH60012](#)
[AH20016](#)
[AH30016](#)
[AH40016](#)
[AH50016](#)
[AH60016](#)
[AH20020](#)
[AH30020](#)
[AH40020](#)
[AH50020](#)
[AH60020](#)
[AH20024](#)
[AH30024](#)
[AH40024](#)
[AH50024](#)
[AH60024](#)
[AH20028](#)
[AH30028](#)
[AH40028](#)
[AH50028](#)
[AH60028](#)
[AH20036](#)
[AH30036](#)
[AH40036](#)
[AH50036](#)
[AH60036](#)
[AH20048](#)
[AH30048](#)
[AH40048](#)
[AH50048](#)
[AH60048](#)
[AH20056](#)
[AH30056](#)
[AH40056](#)
[AH50056](#)
[AH60056](#)
[AH200120](#)
[AH300120](#)
[AH400120](#)
[AH500120](#)
[AH600120](#)

[ADH30012](#)
[ADH40012](#)
[ADH50012](#)
[ADH60012](#)
[ADH20016](#)
[ADH30016](#)
[ADH40016](#)
[ADH50016](#)
[ADH60016](#)
[ADH20020](#)
[ADH30020](#)
[ADH40020](#)
[ADH50020](#)
[ADH60020](#)
[ADH20024](#)
[ADH30024](#)
[ADH40024](#)
[ADH50024](#)
[ADH60024](#)
[ADH20028](#)
[ADH30028](#)
[ADH40028](#)
[ADH50028](#)
[ADH60028](#)
[ADH20036](#)
[ADH30036](#)
[ADH40036](#)
[ADH50036](#)
[ADH60036](#)
[ADH20048](#)
[ADH30048](#)
[ADH40048](#)
[ADH50048](#)
[ADH60048](#)
[ADH20056](#)
[ADH30056](#)
[ADH40056](#)
[ADH50056](#)
[ADH60056](#)
[ADH200120](#)
[ADH300120](#)
[ADH400120](#)
[ADH500120](#)
[ADH600120](#)

0.090A
12.6VCT @
0.200A
12.6VCT @
0.500A
12.6VCT @
1.000A
12.6VCT @
1.600A
16VCT @ 0.070A
16VCT @ 0.150A
16VCT @ 0.400A
16VCT @ 0.800A
16VCT @ 1.250A
20VCT @ 0.050A
20VCT @ 0.120A
20VCT @ 0.300A
20VCT @ 0.600A
20VCT @ 1.000A
24VCT @ 0.045A
24VCT @ 0.100A
24VCT @ 0.250A
24VCT @ 0.500A
24VCT @ 0.800A
28VCT @ 0.040A
28VCT @ 0.085A
28VCT @ 0.200A
28VCT @ 0.420A
28VCT @ 0.700A
36VCT @ 0.030A
36VCT @ 0.065A
36VCT @ 0.170A
36VCT @ 0.350A
36VCT @ 0.550A
48VCT @ 0.023A
48VCT @ 0.050A
48VCT @ 0.125A
48VCT @ 0.250A
48VCT @ 0.400A
56VCT @ 0.020A
56VCT @ 0.045A
56VCT @ 0.110A
56VCT @ 0.220A
56VCT @ 0.350A
120VCT @
0.010A
120VCT @
0.020A
120VCT @
0.050A
120VCT @
0.100A
120VCT @
0.160A

6.3V @ 0.400A
6.3V @ 1.000A
6.3V @ 2.000A
6.3V @ 3.020A
8V @ 0.140A
8V @ 0.300A
8V @ 0.800A
8V @ 1.600A
8V @ 2.500A
10V @ 0.110A
10V @ 0.240A
10V @ 0.600A
10V @ 1.200A
10V @ 2.000A
12V @ 0.090A
12V @ 0.200A
12V @ 0.500A
12V @ 1.000A
12V @ 1.600A
14V @ 0.080A
14V @ 0.170A
14V @ 0.400A
14V @ 0.840A
14V @ 1.400A
18V @ 0.060A
18V @ 0.130A
18V @ 0.340A
18V @ 0.700A
18V @ 1.100A
24V @ 0.046A
24V @ 0.100A
24V @ 0.250A
24V @ 0.500A
24V @ 0.800A
28V @ 0.040A
28V @ 0.090A
28V @ 0.220A
28V @ 0.440A
28V @ 0.700A
60V @ 0.020A
60V @ 0.040A
60V @ 0.100A
60V @ 0.200A
60V @ 0.320A

