

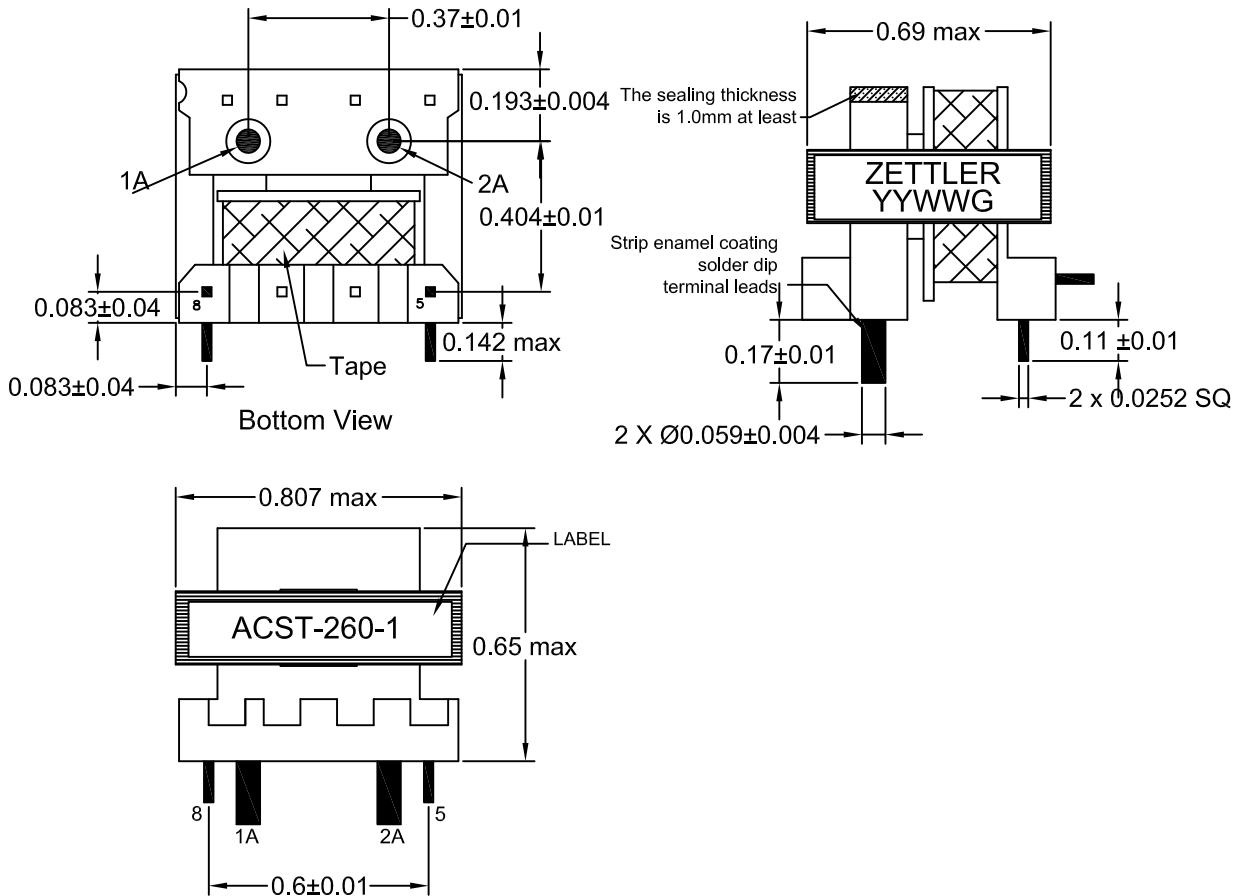
**ACST-260-1**  
**CURRENT SENSE TRANSFORMER**  
**30A MAX. UP TO 200Hz**

PAGE REV	DESCRIPTION	DATE	BY
A0	CREATED	2018-06-28	ye

**1. ELECTRICAL SPECIFICATIONS:**

- A. TEST CONDITION: 100Hz 1V SER.
- B. Constructed with UL class B 130°C materials.
- C. Primary Current Range: 0.4 to 30 Arms.
- D. Primary resistance: 600 microohms max.
- E. HI-POT:P-S 4000VAC 1min.  
P--C&S--C 1500VAC 1min.  
OR (ON PRODUCTION)  
P-S 4400VAC 1SEC.  
P--C&S--C 1800VAC 1SEC.
- F. Material of Lamination(Core): Z11.
- G. Operating temperature: -40°C ~+70°C max. up to 30A;  
-40°C ~+85°C max. up to 20A.

**2. MECHANICAL SPECIFICATIONS:(UNIT:INCH)**

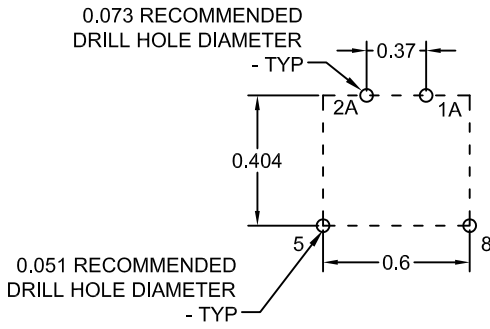


UNIT INCH	TOLERANCE X.X = ±0.02 X.XX = ±0.012 ANG = -	<b>ZETTLER MAGNETICS</b>	
3RD ANGLE 			
SCALE:	DATA	TITLE: CURRENT SENSE TRANSFORMER	
DRAWN: ye	2018-06-21	PART NO: <b>ACST-260-1</b>	ZM Project:
CHECKED:			SPEC REV: A/0
APPROVED:			Customers p/n:
			SH NO 1/2

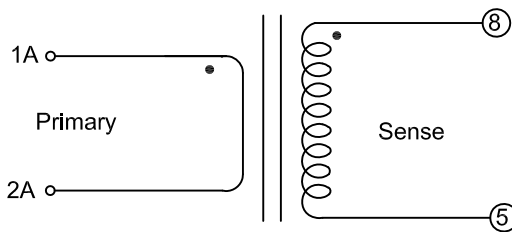
Web: [www.zettlermagnetics.com](http://www.zettlermagnetics.com)  
E-mail: [sales@zettlermagnetics.com](mailto:sales@zettlermagnetics.com)

PAGE REV	DESCRIPTION	DATE	BY
A0	CREATED	2018-06-28	ye

3. PCB MOUNTING FOOTPRINT:



4. SCHEMATIC DIAGRAM:



• Indicate Polarity

5. ELECTRICAL TABLE:

Part Number 1)	Turns Ratio	$R_L$ max (Ohms) 2)	Output (mV/A)±5% 3)	Primary Resistance (u Ohms) max	Sense Resistance (Ohms)±10%	Sense Inductance (H)±30% 4)	Primary Sense Frequency (Hz)
ACST-260-1	1:500	20	37.2	600	21	0.73	50-200

NOTE :

- Standard Pri. terminal (1A,2A) is stripped enamel coating; Add suffix -1 for tin coated Pri. terminal (1A,2A).  
5.5 mm clearance and creepage distance between primary and secondary;
- The output voltage is linear in the whole range of primary current, if the closed load resistor is not higher than value  $R_L$  max.
- Measured at primary current of 10 Arms, 50Hz and load resistor value  $R_L$  max.
- Measured at 1 V, 100 Hz, serial.

UNIT INCH	TOLERANCE X.X = ±0.02 X.XX = ±0.012 ANG = -	<b>ZETTLER MAGNETICS</b>	
3RD ANGLE 			
SCALE:	DATA	TITLE: CURRENT SENSE TRANSFORMER	
DRAWN: ye	2018-06-21	PART NO: <b>ACST-260-1</b>	ZM Project:
CHECKED:		Customers p/n:	SPEC REV: A/0
APPROVED:			SH NO 2/2

Web: [www.zettlermagnetics.com](http://www.zettlermagnetics.com)  
E-mail: [sales@zettlermagnetics.com](mailto:sales@zettlermagnetics.com)