

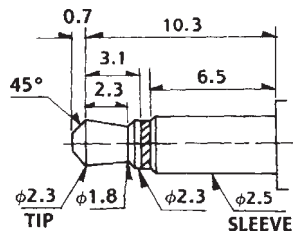
General Specifications for LJE Series

- Insulation Resistance: 100MΩ min. at 500 V DC
- Withstanding Voltage: 500 V AC for 1 minute
- Contact Resistance: 30mΩ max. (initial)
- Soldering Heat Test: 260 ±5°C for 5±1 seconds
- Insertion Force: 0.3 to 2.0 Kg
- Extraction Force: 0.3 to 2.0 Kg
- Mating Cycles: 5,000 times

Mating Plugs for LJE Series (TH Earphone Jacks)

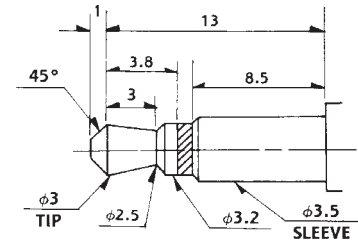
Ø 2.5mm

Mono



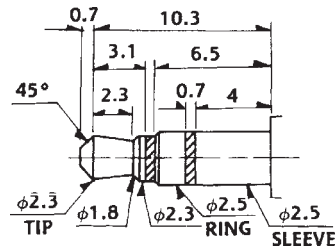
Ø 3.5mm

Mono



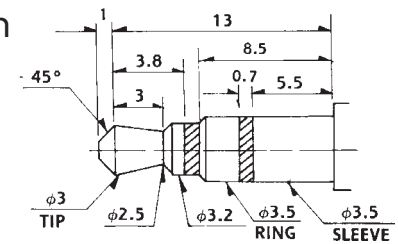
Ø 2.5mm

Stereo



Ø 3.5mm

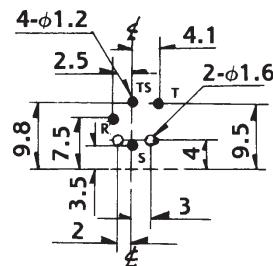
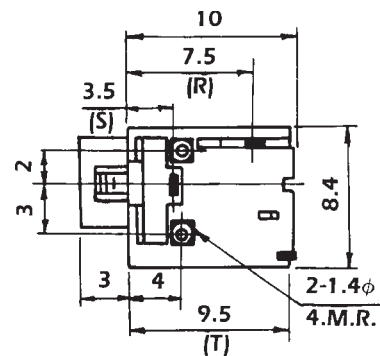
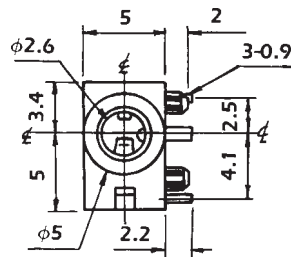
Stereo



LJE0252-B



LJE0252-* (Stereo)

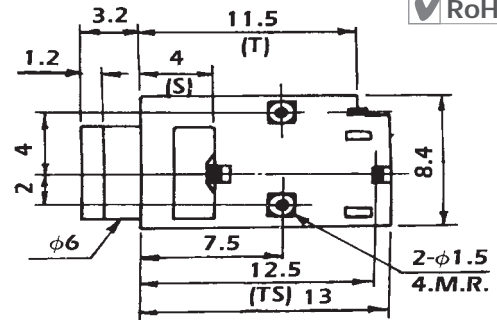
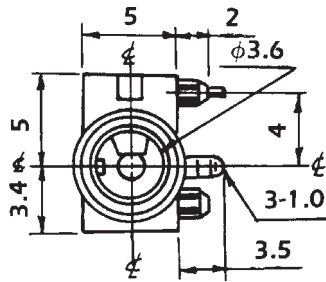


Part No. (Details)

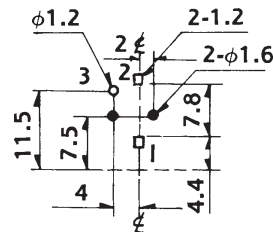
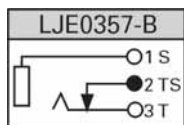
LJE0252-B	LJE0252-3RT	LJE0252-4R

PCB-Layout (Bottom View)

LJE0357-B

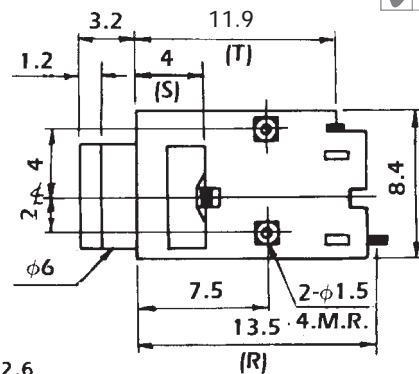
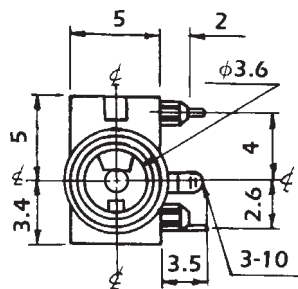


Part No. (Details)

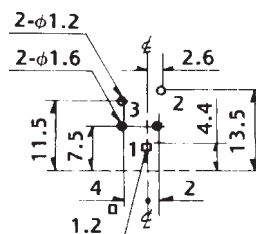
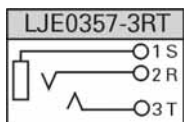


PCB-Layout (Bottom View)

LJE0357-3RT (Stereo)

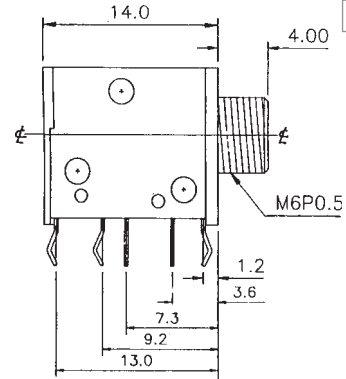
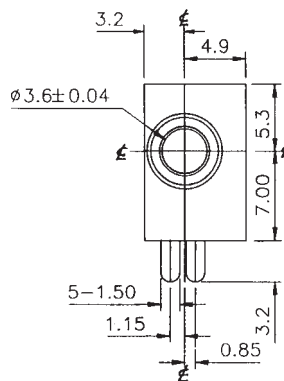


Part No. (Details)

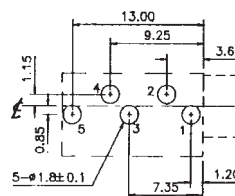
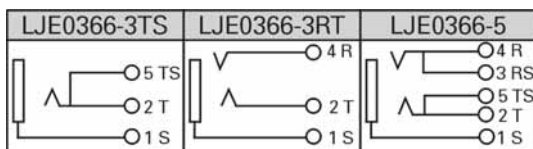


PCB-Layout (Bottom View)

LJE0366-*

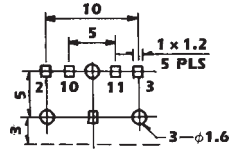
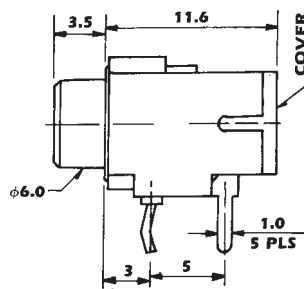
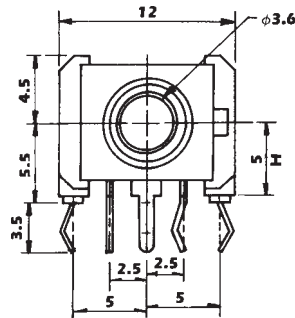


Part No. (Details)



PCB-Layout (Bottom View)

LJE0359AM-* (w/o Thread)
LJE0359M-* (with Thread)

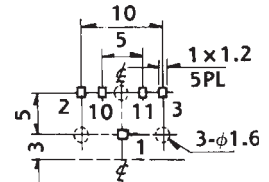
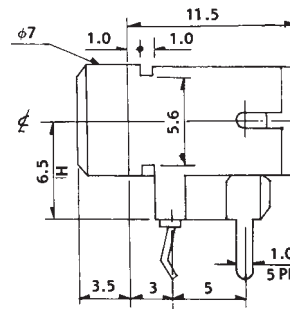
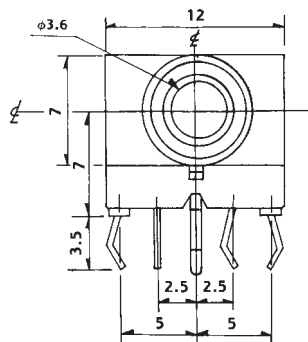


PCB-LAYOUT (Bottom View)

Part No. (Details)

LJE0359*M-2T	LJE0359*M-3RT	LJE0359*M-3TS	LJE0359*M-4T	LJE0359*M-4R	LJE0359*M-5

LJE0361-*

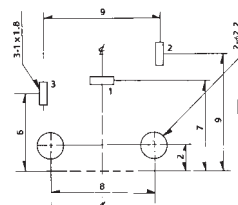
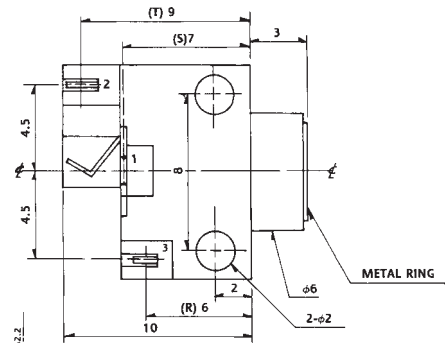
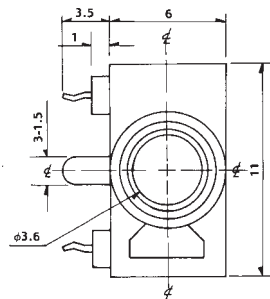


PCB-LAYOUT (Bottom View)

Part No. (Details)

LJE0361-3RT	LJE0361-3TS	LJE0361-4T	LJE0361-4R	LJE0361-5

LJE0363A-3RT (Stereo, with Metal Ring)
LJE0363-3RT (Stereo, w/o Metal Ring)

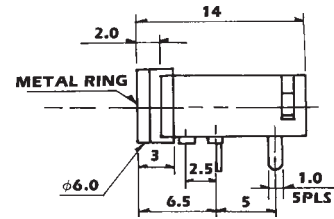
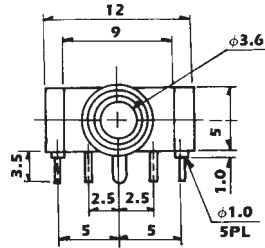


PCB-LAYOUT (Bottom View)

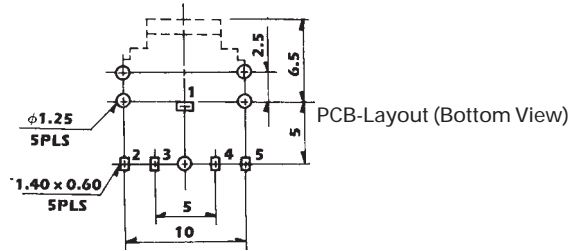
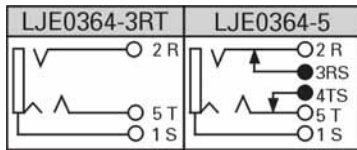
Part No. (Details)

LJE0363*-3RT

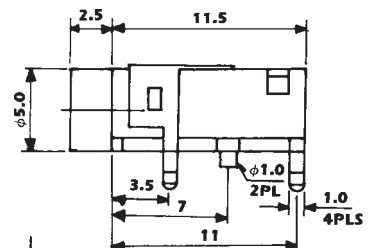
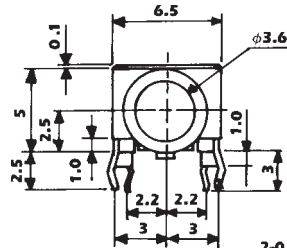
LJE0364-*



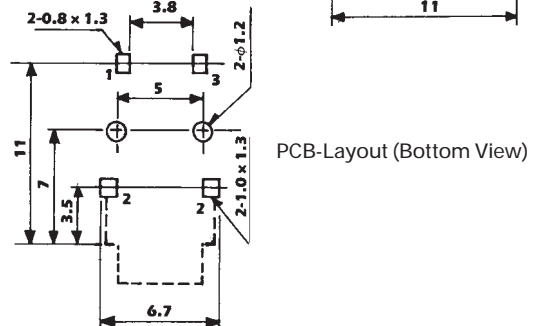
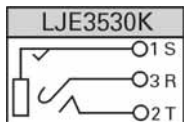
Part No. (Details)



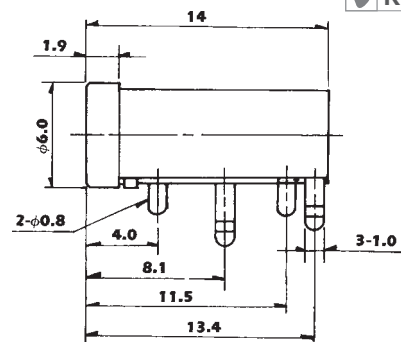
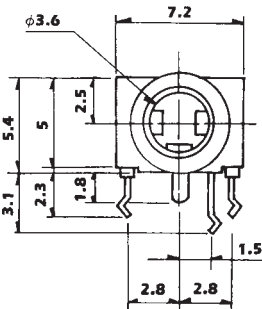
LJE3530K (Stereo)



Part No. (Details)



LJE3531 (Stereo)



Part No. (Details)

