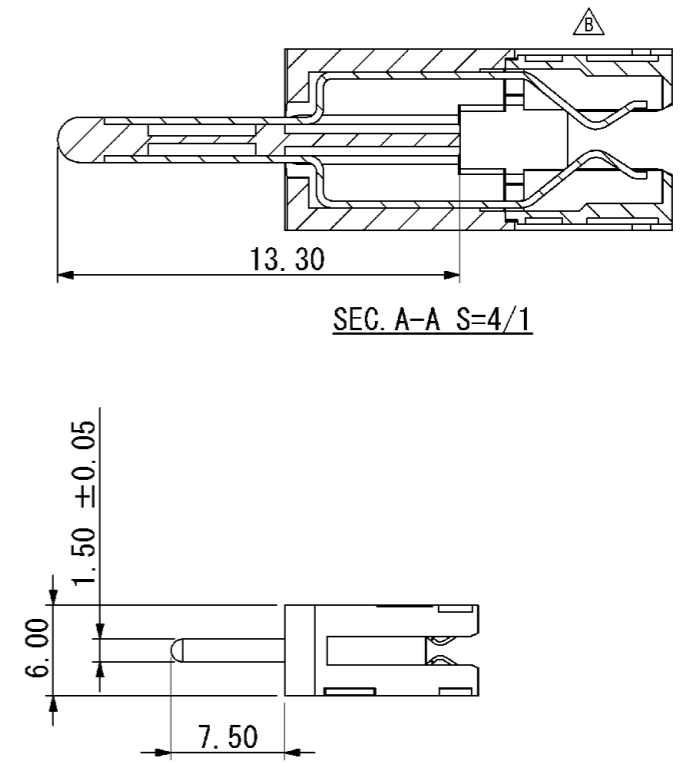
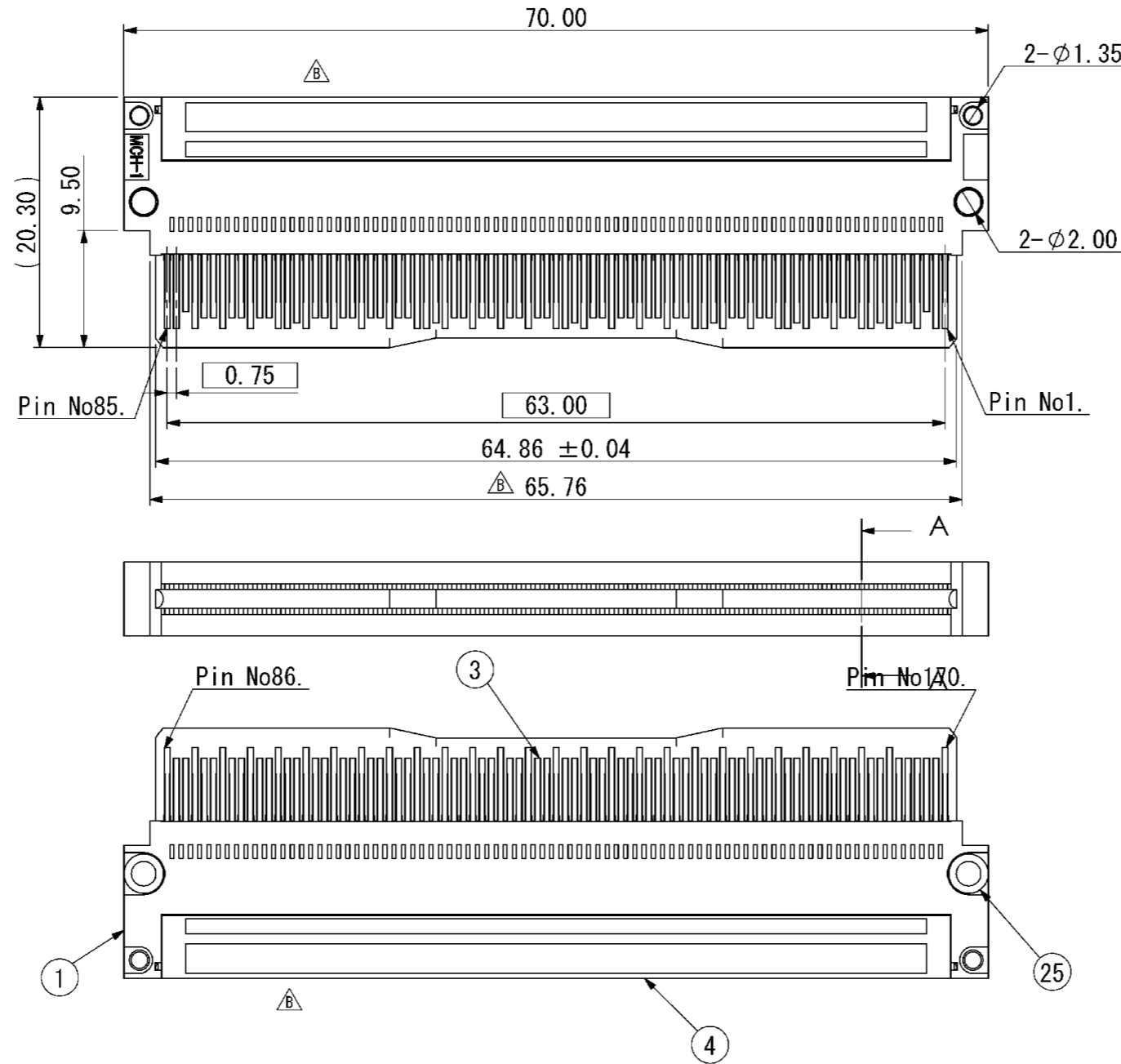
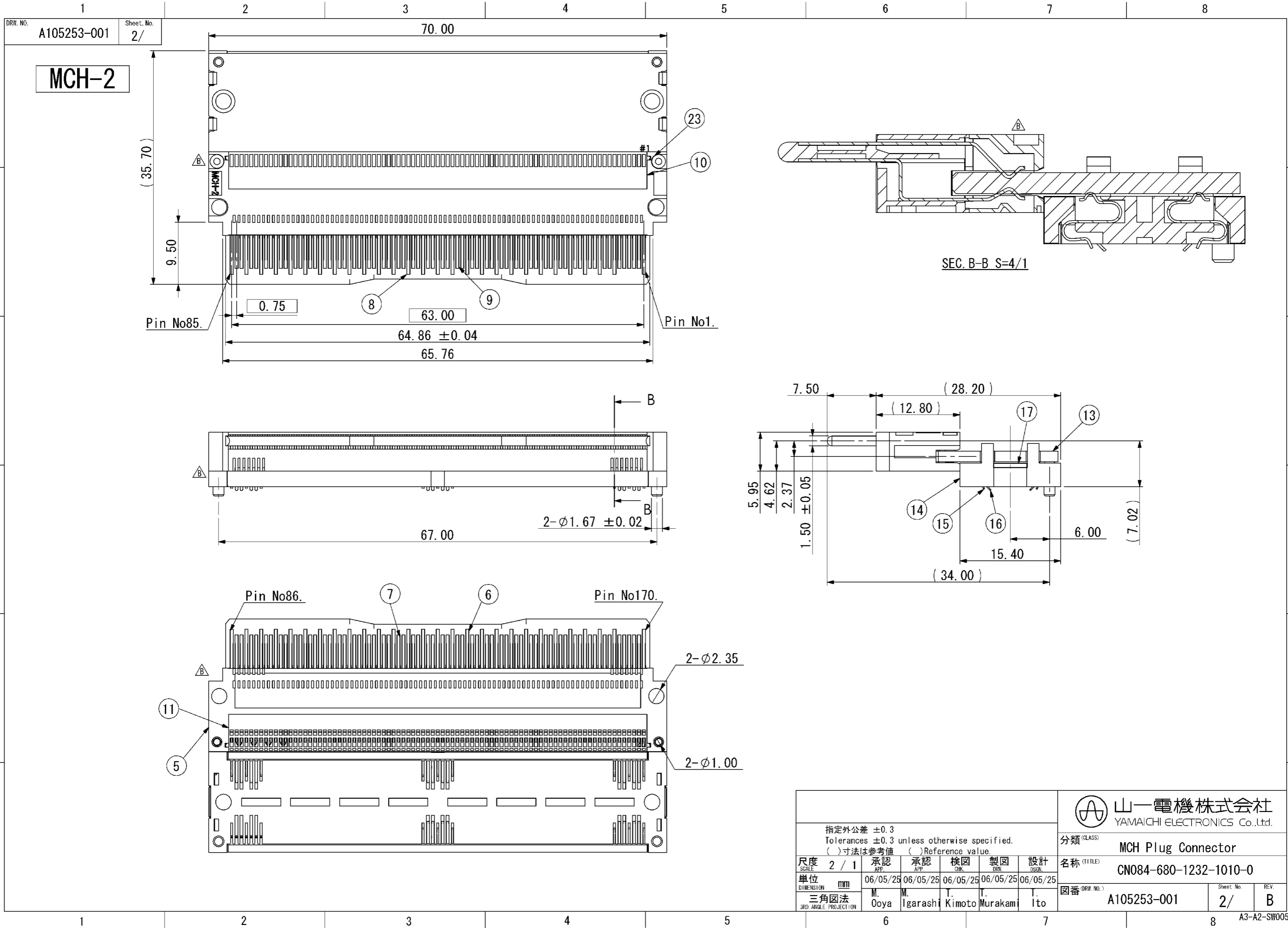


MCH-1

記号x数	変更内容 REVISION DESCRIPTION	承認	検図	担当	年月日	変更通知書No.
△ x 25	Change Shape, Add Dimension, Add Note	M. Igarashi	T. Kimoto	T. Murakami	07/03/02	M112426
△ x						
△ x						
△ x						
△ x						

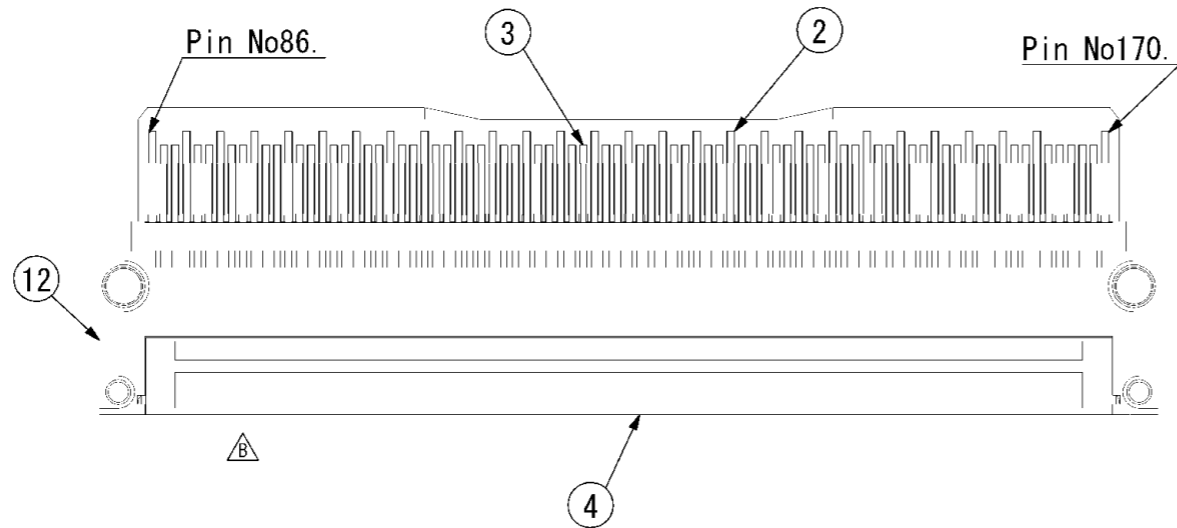
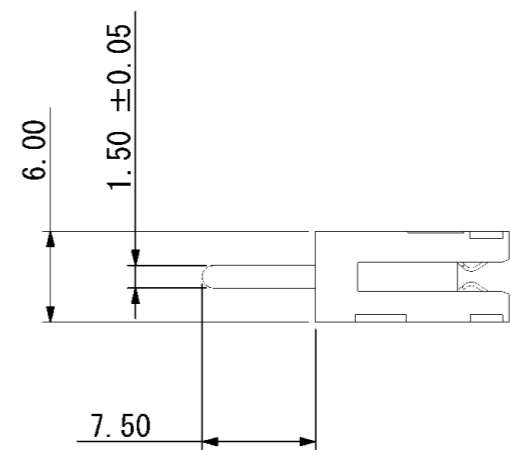
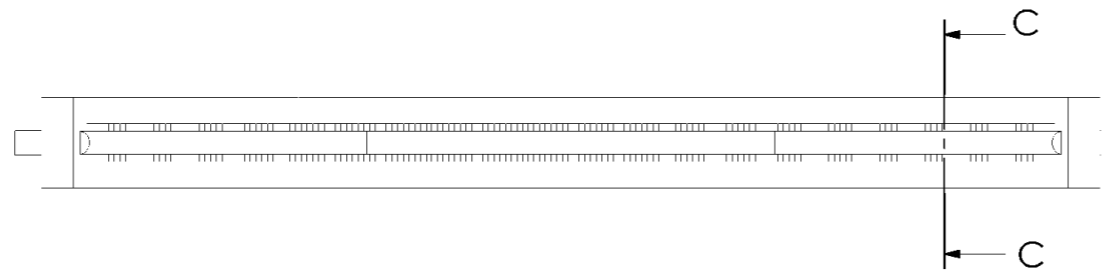
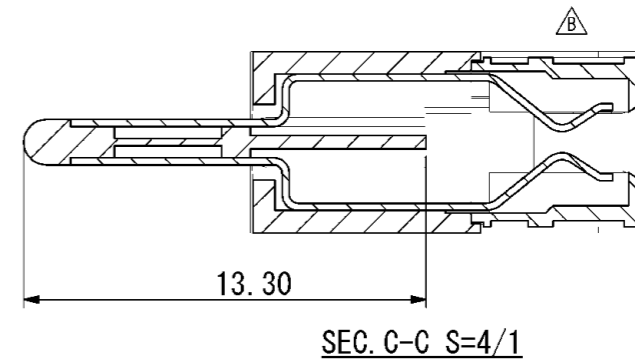
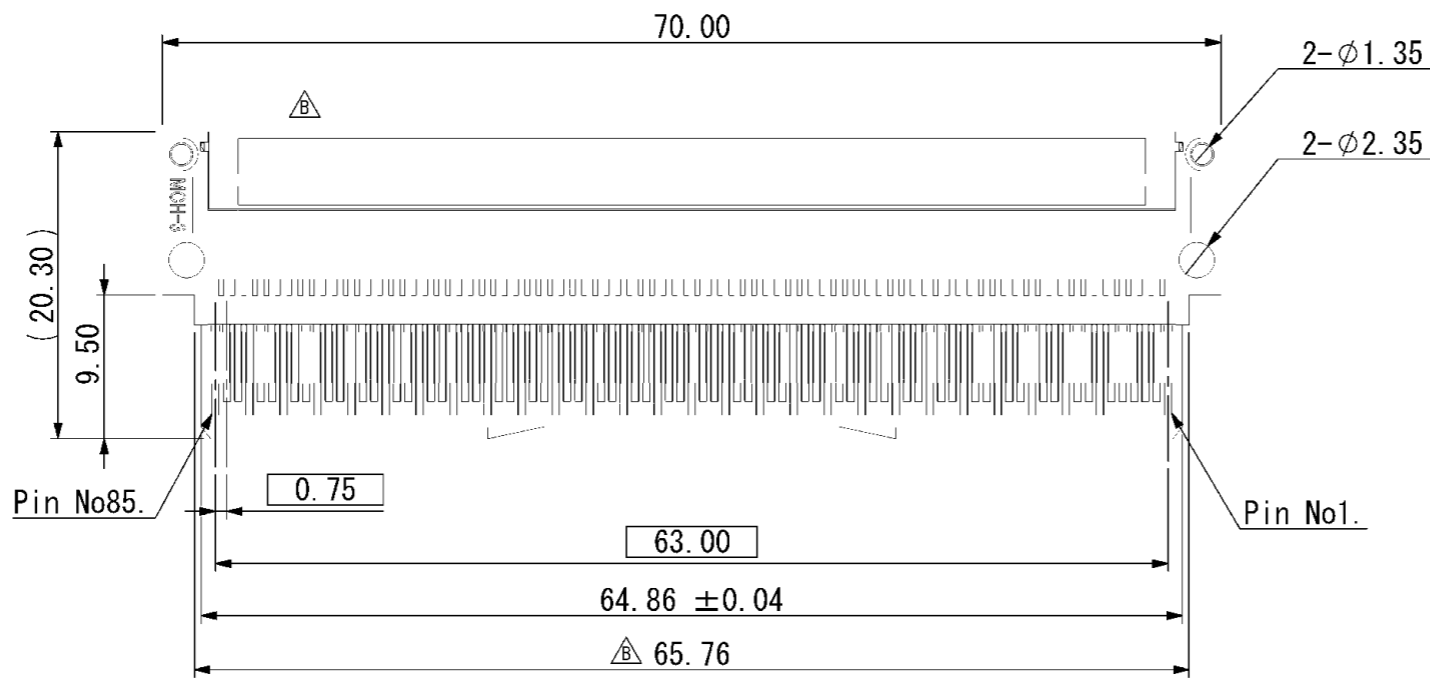



指定外公差 ±0.3 Tolerances ±0.3 unless otherwise specified. ()寸法は参考値 ()Reference value						山一電機株式会社 YAMAICHI ELECTRONICS Co.,Ltd.	
尺度 SCALE 2 / 1 単位 DIMENSION mm 三角図法 3RD ANGLE PROJECTION	承認 APP. 06/05/25 M. Ooya	承認 APP. 06/05/25 M. Igarashi	検図 CHK. 06/05/25 T. Kimoto	製図 DRW. 06/05/25 T. Murakami	設計 DSNL. 06/05/25 T. Ito	分類 (CLASS) MCH Plug Connector 名称 (TITLE) CN084-680-1232-1010-0 図番 (DRW. NO.) A105253-001	
						Sheet No. 1/5	REV. B



指定外公差 ±0.3 Tolerances ±0.3 unless otherwise specified. ()寸法は参考値 ()Reference value.						山一電機株式会社 YAMAICHI ELECTRONICS Co.,Ltd.		
尺度 2 / 1 承認 06/05/25 承認 06/05/25 検図 06/05/25 製図 06/05/25 設計 06/05/25						分類 (CLASS) MCH Plug Connector 名称 (TITLE) CN084-680-1232-1010-0		
単位 mm 三角図法 3RD ANGLE PROJECTION						図番 (DRW. NO.) A105253-001 Sheet No. 2/		REV. B

MCH-3



指定外公差 \pm 0.3 Tolerances \pm 0.3 unless otherwise specified. ()寸法は参考値 ()Reference value.						 山一電機株式会社 YAMAICHI ELECTRONICS Co.,Ltd.	
尺度 SCALE 2 / 1 承認 APP 06/05/25 承認 APP 06/05/25 検図 CHK 06/05/25 製図 DRW 06/05/25 設計 DSGN 06/05/25						分類 (CLASS) MCH Plug Connector 名称 (TITLE) CN084-680-1232-1010-0	
単位 DIMENSION mm 三角図法 3RD ANGLE PROJECTION M. Ooya M. Igarashi T. Kimoto T. Murakami T. Ito						図番 (DRW. NO.) A105253-001 Sheet No. 3/ REV. B	

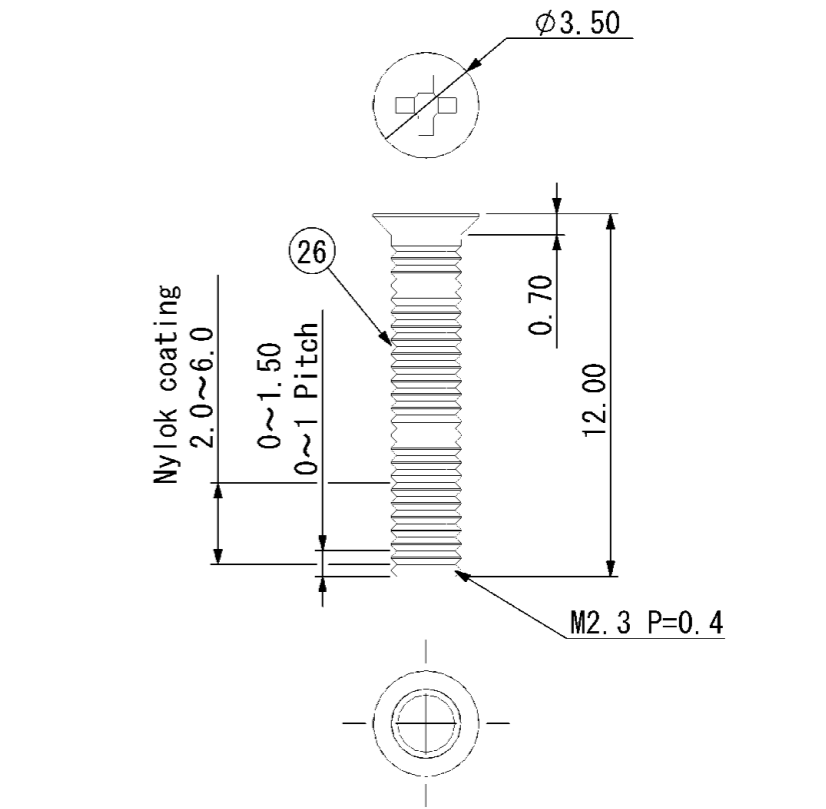
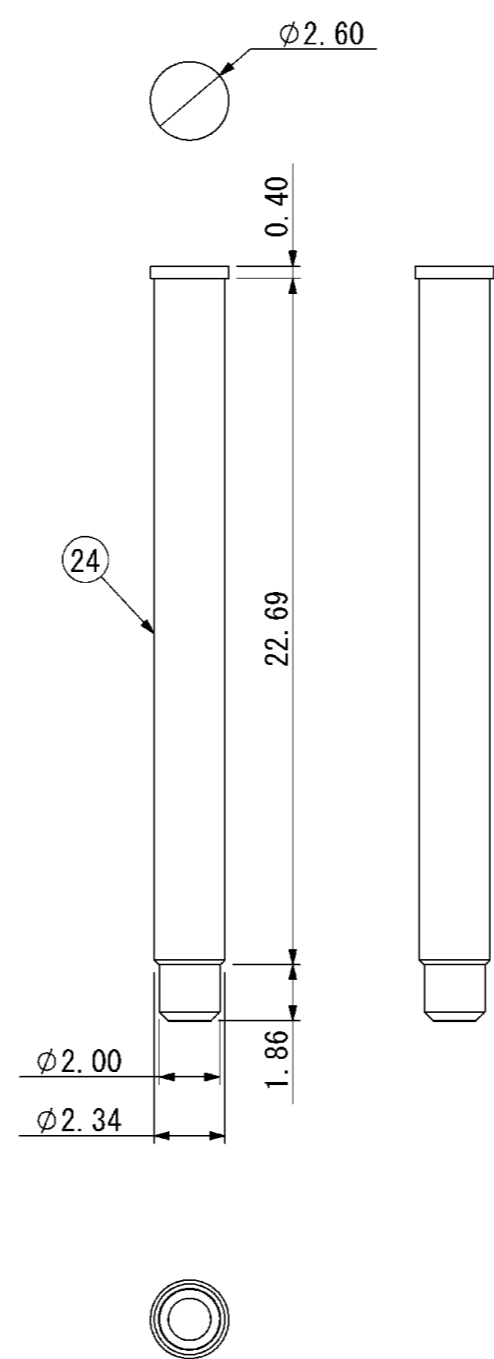
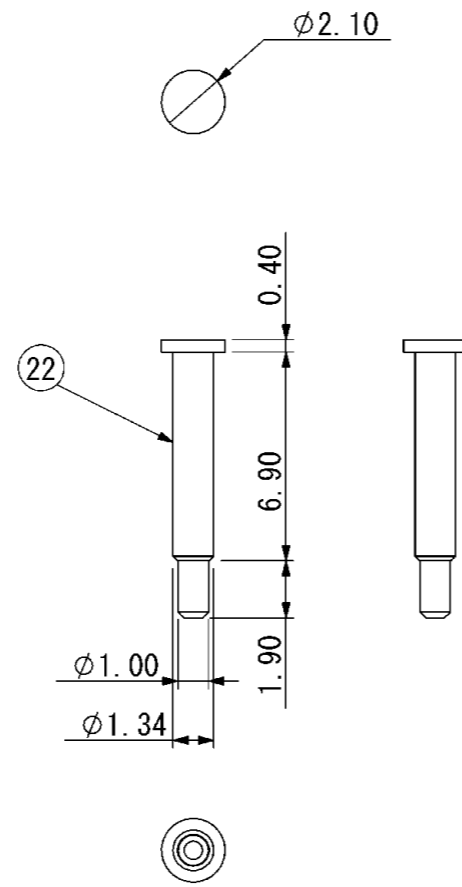
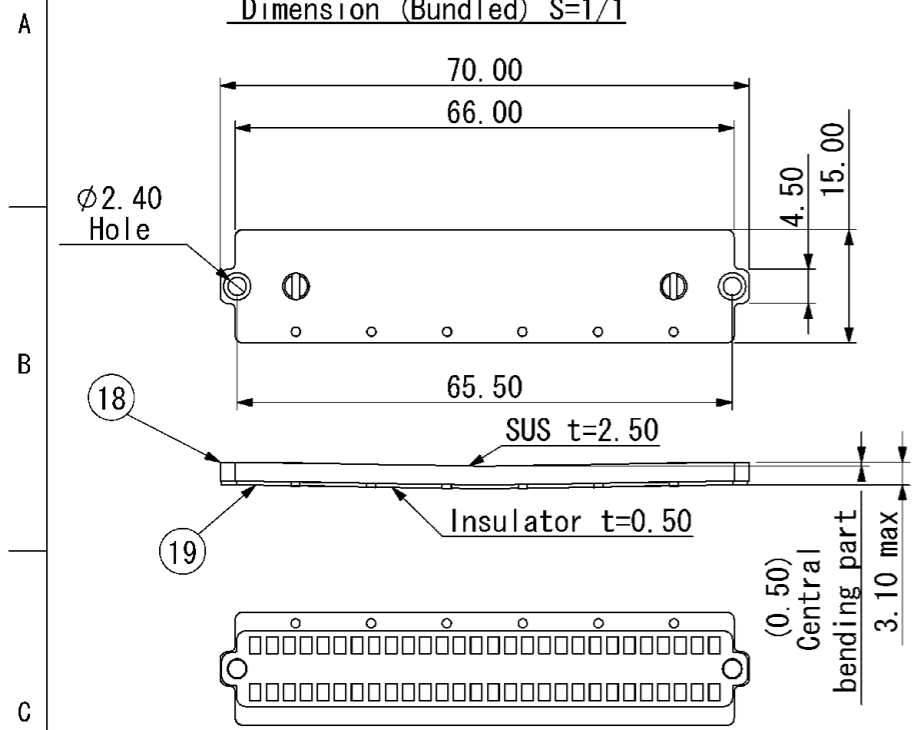
DRW. NO. A105253-001 Sheet. No. 4/

Stiffner : CN084A-0001
Dimension (Bundled) S=1/1

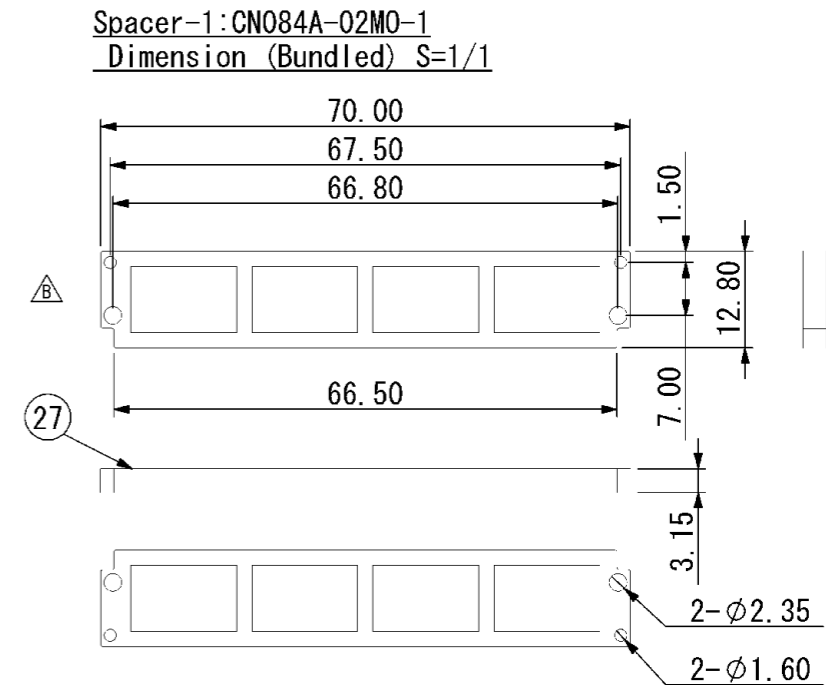
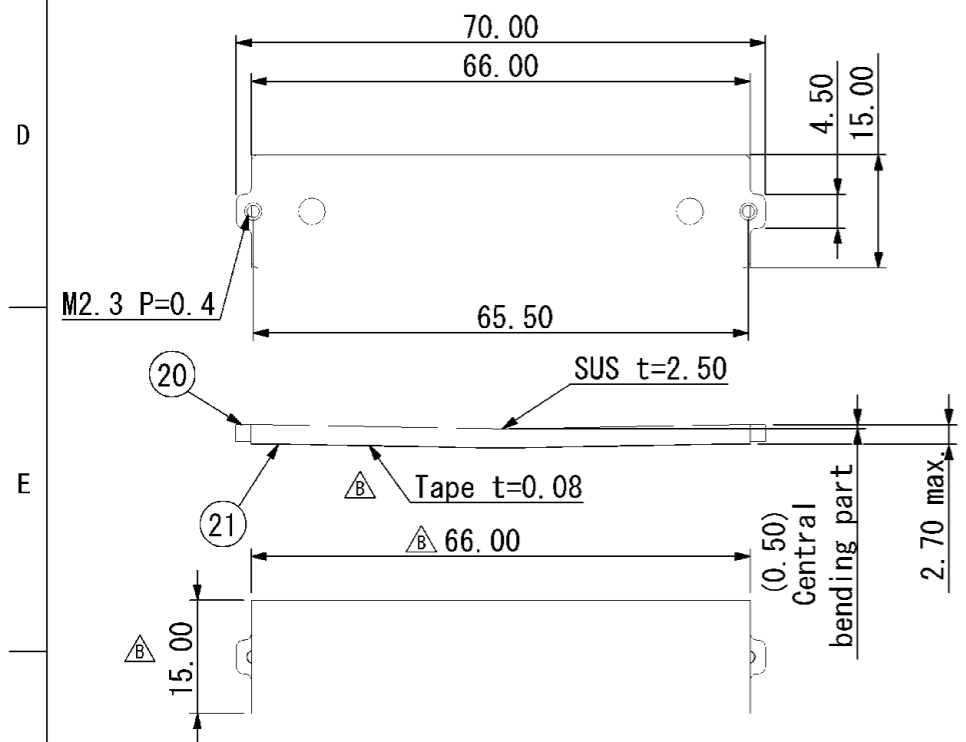
Plug Shaft A-4 : CN084A-08ME-4
Dimension (Bundled) S=4/1

Plug Shaft B-1 : CN084A-10ME-1
Dimension (Bundled) S=4/1

Board to Board Screw: CN084A-05ME-1
Dimension (Bundled) S=4/1

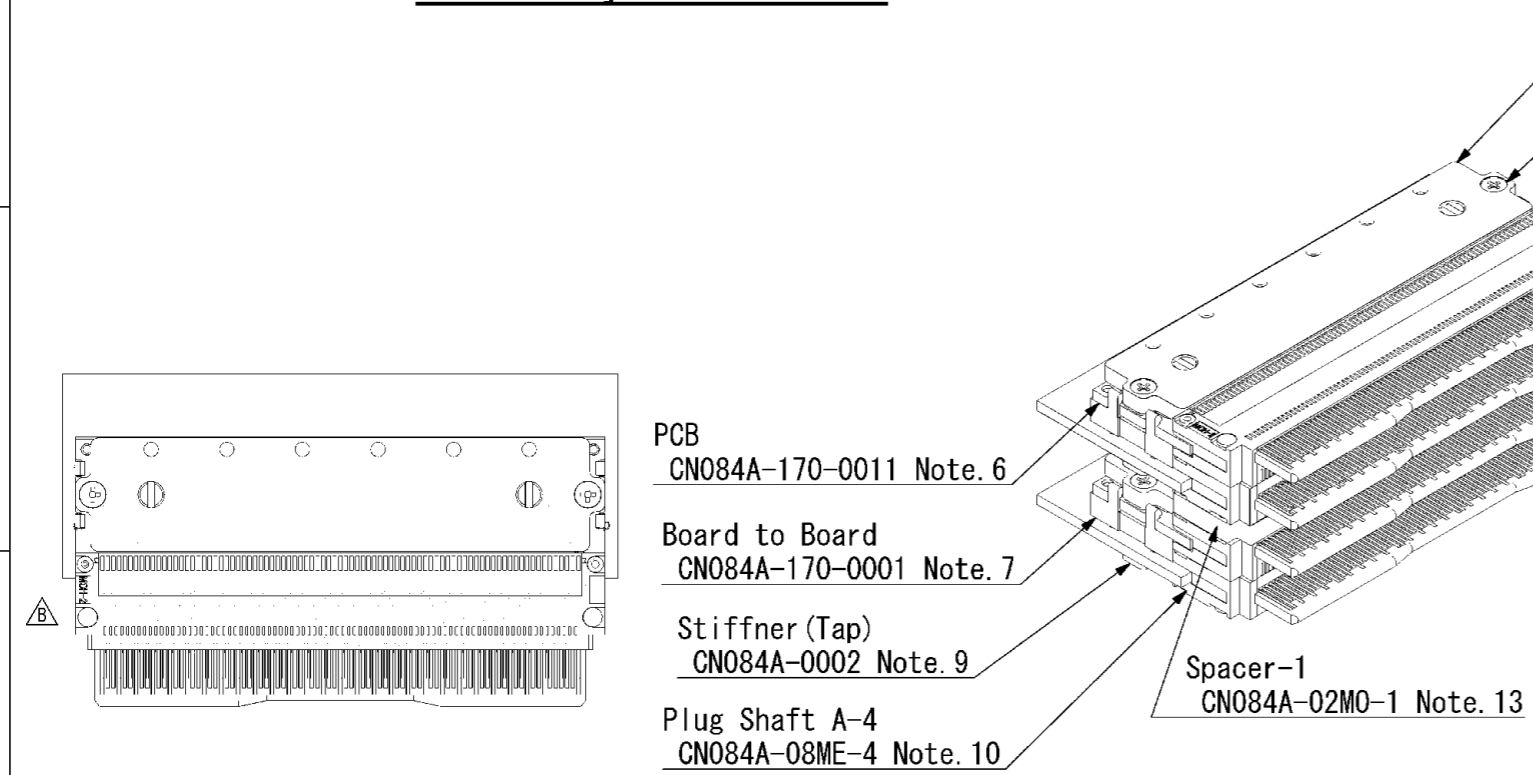


Stiffner (Tap) : CN084A-0002
Dimension (Bundled) S=1/1

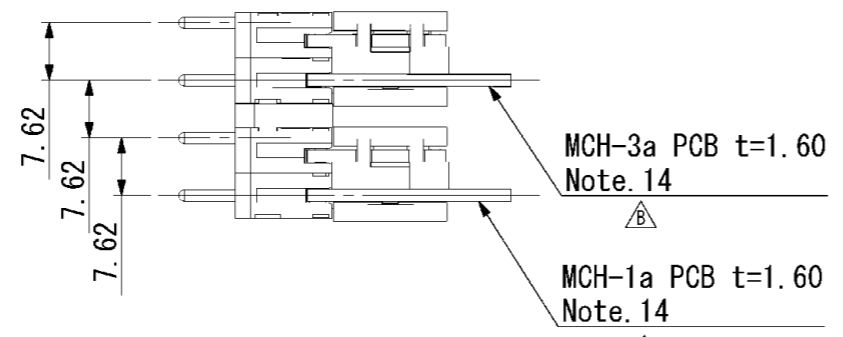


指定外公差 ±0.3 Tolerances ±0.3 unless otherwise specified. ()寸法は参考値 ()Reference value.						山一電機株式会社 YAMAICHI ELECTRONICS Co.,Ltd.		
尺度 SCALE: 承認 APP: 06/05/25 承認 APP: 06/05/25 検図 CHK: 06/05/25 製図 DRW: 06/05/25 設計 DSN: 06/05/25 単位 DIMENSION: mm 三角図法 3RD ANGLE PROJECTION						分類 (CLASS) MCH Plug Connector 名称 (TITLE) CN084-680-1232-1010-0 図番 (DRW. No.) A105253-001		
						Sheet No. 4/ REV. B		A3-A2-SW004

Assembly Condition



27	Spacer-1	1	LCP(UL94V-0)	Black(Attached Note.13)
26	Screw-1	4	SUS	(Attached Note.12)
25	Plug Bush B	2	SUS	---
24	Plug Shaft B-1	2	SUS	(Attached Note.11)
23	Plug Bush A-3	4	SUS	---
22	Plug Shaft A-4	4	SUS	(Attached Note.10)
21	Board to Board Stiffner (Tape)	2	Polyester	White (Attached Note.9)
20	Board to Board Stiffner (Tap)	2	SUS t=2.5	(Attached Note.9)
19	Board to Board Stiffner (Insulator)	2	LCP(UL94V-0)	Black(Attached Note.8)
18	Board to Board Stiffner	2	SUS t=2.5	(Attached Note.8)
17	Cover	2	LCP(UL94V-0)	Black
16	Board to Board Contact (SIG)	224	BeCu t=0.18	Ni-Au
15	Board to Board Contact (GND)	116	BeCu t=0.18	Ni-Au
14	Board to Board Housing	2	LCP(UL94V-0)	Black
13	PCB	2	FR-4	---
12	Housing (MCH-3)	1	LCP(UL94V-0)	Black
11	Locator (MCH-2 B)	2	LCP(UL94V-0)	Black
10	Locator (MCH-2 A)	2	LCP(UL94V-0)	Black
9	Contact (MCH-2 SIG B)	112	BeCu t=0.23	Ni-Au
8	Contact (MCH-2 GND B)	58	BeCu t=0.23	Ni-Au
7	Contact (MCH-2 SIG A)	112	BeCu t=0.23	Ni-Au
6	Contact (MCH-2 GND A)	58	BeCu t=0.23	Ni-Au
5	Housing (MCH-2)	2	LCP(UL94V-0)	Black
4	Locator (MCH-1, 3)	4	LCP(UL94V-0)	Black
3	Contact (MCH-1, 3 SIG)	224	BeCu t=0.23	Ni-Au
2	Contact (MCH-1, 3 GND)	116	BeCu t=0.23	Ni-Au
1	Housing (MCH-1)	1	LCP(UL94V-0)	Black
部品番号 ITEM	部品名 DESCRIPTION	個数 QNT.	材質・寸度 MATERIAL	記事 CONTENT



- Note**
- Plating specification on the PCB pads
MCH PCB : Au 0.30 μm MIN. over Ni 1.27 μm MIN.
 - Instruction for the connector being fixed by screw
Screw size(Bundled) : M2.3,L=12.0
Tightening torque : 30 to 40 cN·m
 - Parts number for the MCH-1
CN084A-170-1000-1000-0 (A105367-001)
 - Parts number for the MCH-2
CN084A-170-0200-0100-0 (A105368-001)
 - Parts number for the MCH-3
CN084A-170-0030-0010-0 (A105369-001)
 - Parts number for the PCB
CN084A-170-0011 (A105372-001)
 - Parts number for the Board to Board
CN084A-170-0001 (A105371-001)

- Parts number for the Stiffner
CN084A-0001 (A105373-001)
- Parts number for the Stiffner (Tap)
CN084A-0002 (A105374-001)
- Parts number for the Plug Shaft A-4
CN084A-08ME-4 (A105377-001)
- Parts number for the Plug Shaft B-1
CN084A-10ME-1(A105376-001)
- Parts number for the Screw-1
CN084A-05ME-1 (A105375-001)
- Parts number for the Spacer-1
CN084A-02MO-1 (A105380-001)
- Refer to Single module PCB(CN084B-170-01PB, A106528-001) and Double module PCB(CN084B-170-02PB, A106301-001) for the recommended module board dimensions. Also, please contact Yamaichi separately when the module board dimensions are different from CN084B-170-01PB and CN084B-170-02PB.

指定外公差 ±0.3
Tolerances ±0.3 unless otherwise specified.
()寸法は参考値 ()Reference value.

承認 APP.	承認 APP.	検図 CHK.	製図 DRW.	設計 DSGN.
06/05/25	06/05/25	06/05/25	06/05/25	06/05/25
M. Ooya	M. Igarashi	T. Kimoto	T. Murakami	T. Ito

山一電機株式会社
YAMAICHI ELECTRONICS Co.,Ltd.

分類 (CLASS) MCH Plug Connector

名称 (TITLE) CN084-680-1232-1010-0

図番 (DRW. NO.) A105253-001 Sheet No. 5/ REV. B