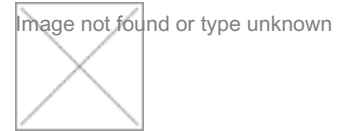


Data sheet

Commercial Art.No.: 25.700.0153.0

Printed circuit board terminal 8375 / 1

PCB terminal with screw connection with rising cage clamp system, 1 poles, printed version, with solder pin (3.5mm), max. cross section: 4 mm²,pitch: 7.5 mm, type of packing: carton, color: grey



Certificates / Approvals



Technical data

General

Modular spacing	7.5 mm
Connection type	Screw connection
Soldering process	Wave soldering
Packaging	Carton
Number of poles	1
Conductor to circuit board	180°
Number of levels	1
Integrated test socket	Yes
Insulation plate	No
Retaining pins	No
Marking	No

Technical data

Nominal cross section	4 mm ²
Rated current	30 A
Overvoltage Category I	1000 V
Overvoltage Category II	1000 V
Overvoltage Category III	500 V
Rated impulse voltage	6 kV
Wire strip length	9 mm

Connection Data

Minimum cross section solid	0.14 mm ²
Maximum cross section solid	6 mm ²
Minimum cross section fine stranded	0.14 mm ²
Maximum cross section fine stranded	4 mm ²
Wire strip length	9 mm

Technical Data UL/CSA

Cross section UL	20-30 AWG
Voltage UL	300 V
Current field wiring	30 A
Current factory wiring	35 A
Cross section CSA	22-10 AWG

Voltage CSA	300 V
Current CSA	30 A

Other

Type of insulation material	Thermoplastic
Color	Grey
Height	22 mm
Length	7.5 mm
Depth	19.5 mm
Material attachment screw	Steel
Material contact base	E-Cu
Material contact surface	Sn

Classification

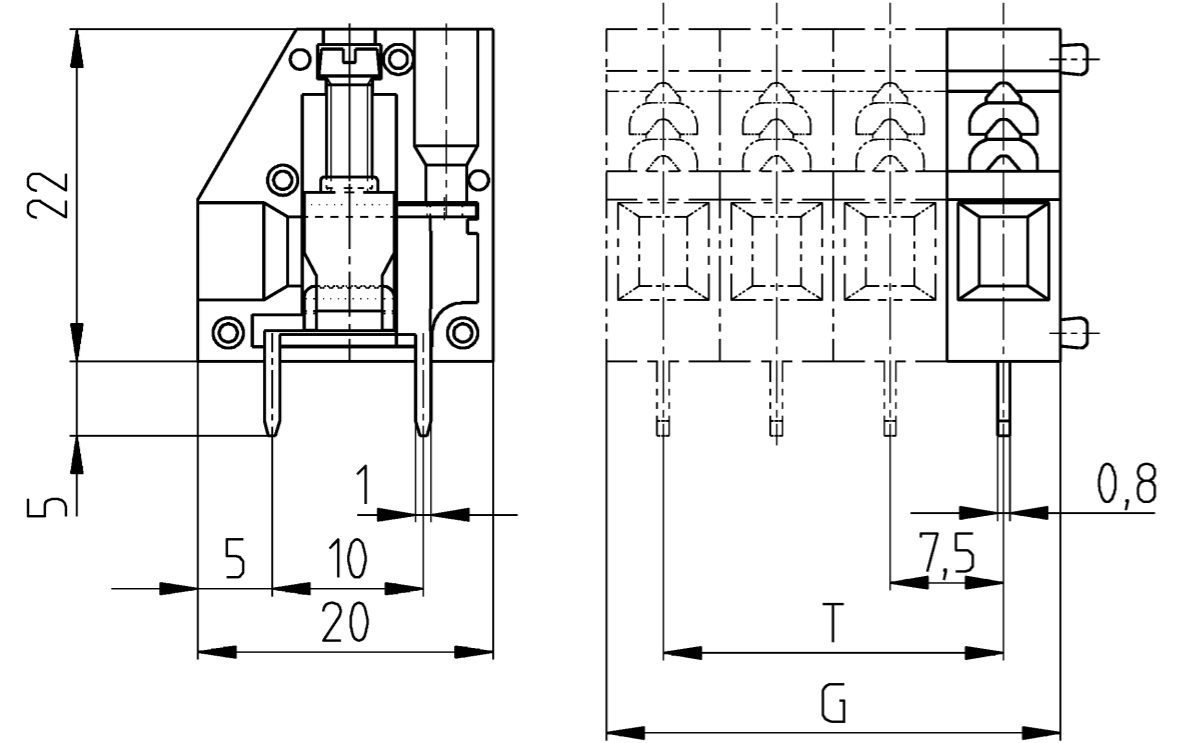
ECLASS 11	
ECLASS 8.1	27440401
ETIM 7.0	EC002643
ETIM 6.0	EC002643
ETIM 5.0	EC002643
ETIM 4.0	EC002643

Product compliance

ROHS conformity status	Compliant
REACH-SVHC conformity status	Compliant

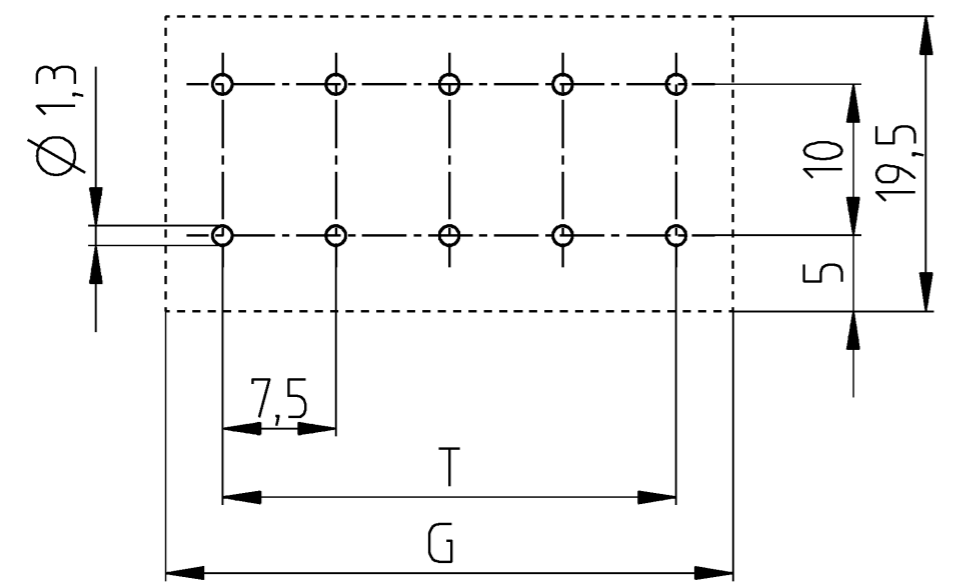
A
 Weitergabe sowie Vervielfältigung dieses Dokuments, Verwertung und Mitteilung seines Inhalts sind verboten, soweit nicht ausdrücklich gestattet. The reproduction, distribution and utilization of this document as well as the communication of its contents to others without express authorization is prohibited.

B
 These dimensions will be especially checked at delivery
 Only inspection dimensions
 With /E marked dimensions are only valid for internal use



C
 Diese Maße werden bei Abnahme besonders geprüft
 Ausschließlich Prüfmaße
 Mit /E gekennzeichnete Maße sind nur für interne Zwecke gültig

Lochbild
 PCB layout



Teilenummer part number	hergestellt aus manufactured of 25.700.0153.0	T	G
25.700.0153.0	1x	1	7,5
25.700.0253.0	2x	7,5	15
25.700.0353.0	3x	15	22,5
25.700.0453.0	4x	22,5	30
25.700.0553.0	5x	30	37,5
25.700.0653.0	6x	37,5	45
25.700.0753.0	7x	45	52,5
25.700.0853.0	8x	52,5	60
25.700.0953.0	9x	60	67,5
25.700.1053.0	10x	67,5	75
25.700.1153.0	11x	75	82,5
25.700.1253.0	12x	82,5	90

Weitere Daten siehe KATALOG oder eKatalog
 additional data see CATALOG or eCATALOG
www.wieland-electric.com
eshop.wieland-electric.com

Tolerierung Size ISO 14405 (E) / Tolerance system Size ISO 14405 (E).
 (This ISO-standard describes the envelope principle. According to the envelope principle the deviations of form and parallelism are limited by the size tolerances).

ja/yes Stoffverbots- und Deklarationsliste nach WN 5020.010 ist einzuhalten.
 Conformity with Wieland document WN 5020.010 e (list of prohibited / declarable hazardous substances) to be declared!

Freitoleranz nach General tolerance CAD - Zeichnung, keine manuellen Änderungen CAD - drawing, no manual modifications allowed 1. Verwendung: First Use: Blatt: 1 von 1 Sheet: 1 of 1

Werkstoff / Material	Tag/Date	Name	Zeichnung Nr. / Drawing No.	Index
gezeichnet / drawn	24.04.2017	Schmitt J.		
Maßstab / Scale	geprüft / checked		T 25.700.0253.0 13K	
2:1	Normgepr. / Stand. check			
Maße in mm / Dimensions are in mm				
Vol. mm³ / Dfl./Srf. mm²	Ersatz für / Replacement for:			
www.wieland-electric.com		Type 83751..17,5	Benennung/Title LP_KLEMME	
www.wieland-electric.com		Schraubanschluss/ screw connection PCB terminal		

Weitergabe sowie Vervielfältigung dieses Dokuments, Verwertung und Mitteilung seines Inhalts sind verboten, soweit nicht ausdrücklich gestattet. The reproduction, distribution and utilization of this document as well as the communication of its contents to others without express authorization is prohibited.