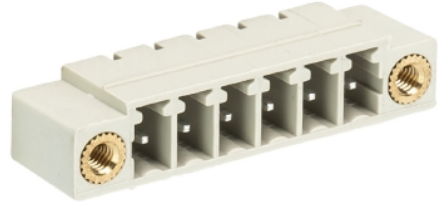


## Data sheet

Commercial Art.No.: 25.627.3553.0

PCB pin header 8813 S / 5 WF OB

PCB pin header with pin header, connection method depends on used socket part , 5 poles, pitch: 3.81 mm, type of packing: carton, color: grey



Certificates / Approvals



## Technical data

### General

Modular spacing	3.81 mm
Soldering process	Wave soldering
Packaging	Carton
Number of poles	5
Number of levels	1
Marking	No
Fastening	None
Mating direction towards (circuit) board	180°

### Technical data

Rated current	8 A
Overvoltage Category I	690 V
Overvoltage Category II	250 V
Overvoltage Category III	125
Rated impulse voltage	2.5 kV

### Technical Data UL/CSA

Voltage UL	300 V
Current field wiring	8 A
Current factory wiring	8 A
Voltage CSA	300 V
Current CSA	5 A

### Other

Type of insulation material	Thermoplastic
Color	Grey
Height	7.15 mm
Length	29.44 mm
Depth	9.2 mm
Material contact base	CuZn

Material contact surface	Sn
--------------------------	----

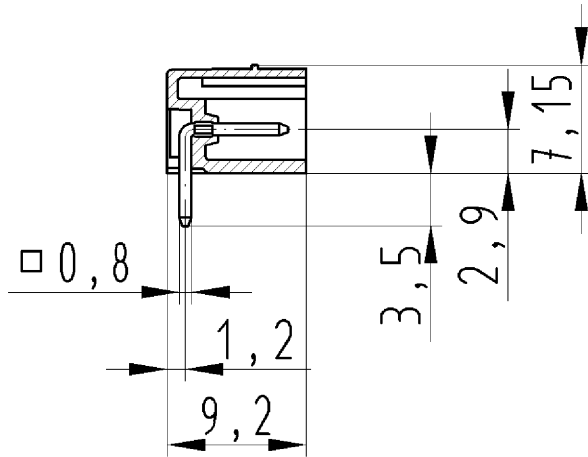
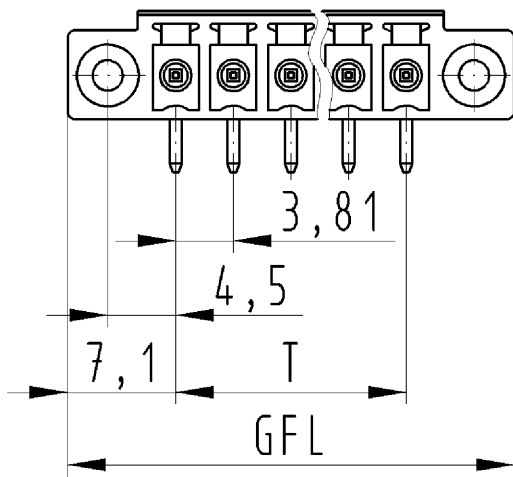
**Classification**

ECLASS 11	
ECLASS 8.1	27440402
ETIM 7.0	EC002637
ETIM 6.0	EC002637
ETIM 5.0	EC002637
ETIM 4.0	EC002637

**Product compliance**

ROHS conformity status	Compliant/Exempted
ROHS exceptions	III-6(c)
REACH-SVHC conformity status	Duty-To-Declare
REACH-SVHC substances	Lead
REACH-SVHC CAS numbers	7439-92-1

für folgende Tabellen-Zchnng.:  
25.627.3253.0 8813 S/...WF



LP.STIFTLEISTE  
25.627.3253.0 10W  
25.10.2007 DÜT  
M 2:1