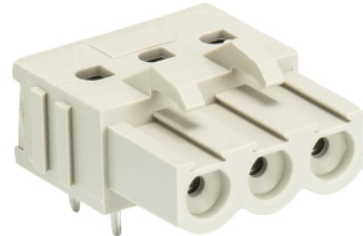


## Data sheet

Commercial Art.No.: 25.343.3253.0

PCB connector 8213 BL / 2 W OB

PCB female connector with pin header, connection method depends on used socket part , 2 poles, pitch: 5.08 mm, type of packing: carton, color: grey



Certificates / Approvals



## Technical data

### General

Modular spacing	5.08 mm
Connection type	Soldering connection
Soldering process	Wave soldering
Packaging	Carton
Number of poles	2
Marking	No
Fastening	None
Mating direction towards connector	None

### Technical data

Nominal cross section	2.5 mm <sup>2</sup>
Rated current	12 A
Overvoltage Category I	1000 V
Overvoltage Category II	400 V
Overvoltage Category III	250 V
Rated impulse voltage	4 kV

### Technical Data UL/CSA

Voltage UL	300 V
Current field wiring	15 A
Current factory wiring	15 A
Voltage CSA	300 V
Current CSA	15 A

### Other

Type of insulation material	Thermoplastic
Color	Grey
Height	10.04 mm
Length	12.36 mm

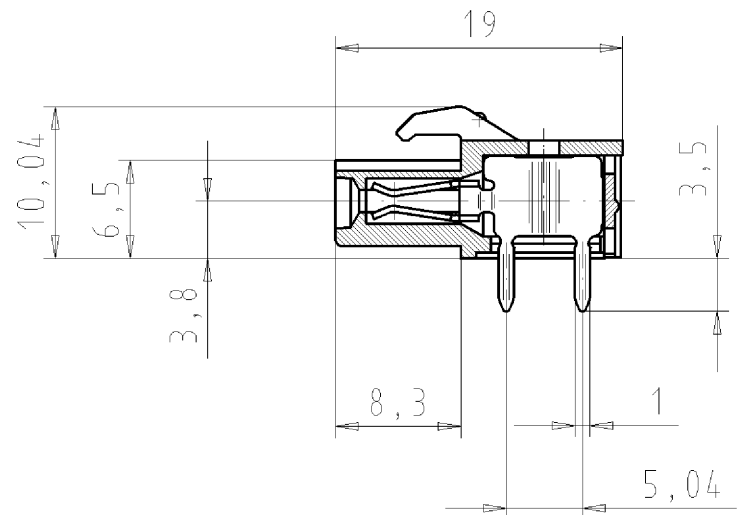
Depth	19 mm
Material attachment screw	None
Material contact base	Steel
Material contact surface	Sn

**Classification**

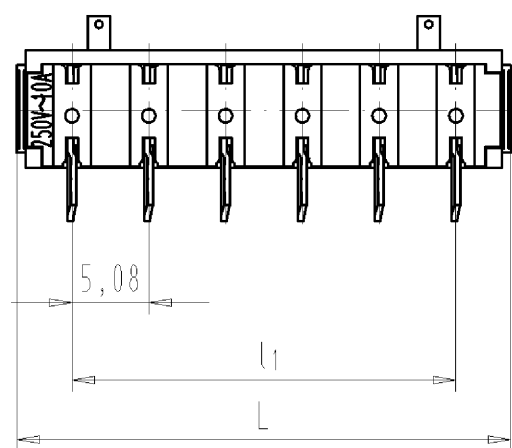
ECLASS 11	
ECLASS 8.1	27440402
ETIM 7.0	EC002637
ETIM 6.0	EC002637
ETIM 5.0	EC002637
ETIM 4.0	EC002637

**Product compliance**

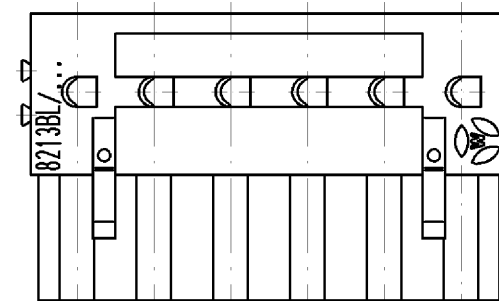
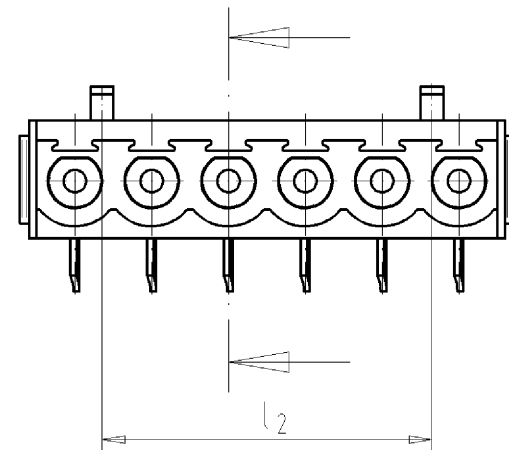
ROHS conformity status	Compliant
REACH-SVHC conformity status	Compliant



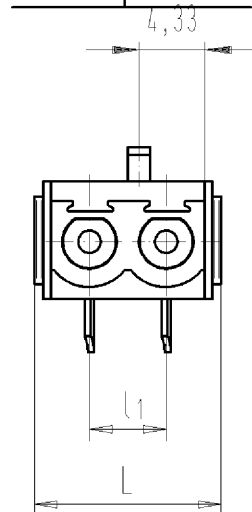
Ansicht "X"



"X"



2 - polig  
2 - poles



gezeichnete Ausführung: 6-polig  
drawn version: 6-poles

Weitere Daten siehe Katalog  
further data see catalog

Teile - Nr. part number	Pol pole	L	l <sub>1</sub>	l <sub>2</sub>	Typ type
25.343.3253.F	2	12,36	5,08		8213 BL / 2W OB
25.343.3353.F	3	17,44	10,16	6,58	8213 BL / 3W OB
25.343.3453.F	4	22,52	15,24	11,66	8213 BL / 4W OB
25.343.3553.F	5	27,60	20,32	16,74	8213 BL / 5W OB
25.343.3653.F	6	32,68	25,40	21,82	8213 BL / 6W OB
25.343.3753.F	7	37,76	30,48	26,90	8213 BL / 7W OB
25.343.3853.F	8	42,84	35,56	31,98	8213 BL / 8W OB
25.343.3953.F	9	47,92	40,64	37,06	8213 BL / 9W OB
25.343.4053.F	10	53,00	45,72	42,14	8213 BL / 10W OB
25.343.4153.F	11	58,08	50,80	47,22	8213 BL / 11W OB
25.343.4253.F	12	63,16	55,88	52,30	8213 BL / 12W OB
25.343.4353.F	13	68,24	60,96	57,38	8213 BL / 13W OB
25.343.4453.F	14	73,32	66,04	62,46	8213 BL / 14W OB
25.343.4553.F	15	78,40	71,12	67,54	8213 BL / 15W OB
25.343.4653.F	16	83,48	76,20	72,62	8213 BL / 16W OB
25.343.4753.F	17	88,56	81,28	77,70	8213 BL / 17W OB
25.343.4853.F	18	93,64	86,36	82,78	8213 BL / 18W OB
25.343.4953.F	19	98,72	91,44	87,86	8213 BL / 19W OB
25.343.5053.F	20	103,80	96,52	92,94	8213 BL / 20W OB
25.343.5153.F	21	108,88	101,60	98,02	8213 BL / 21W OB
25.343.5253.F	22	113,96	106,68	103,10	8213 BL / 22W OB
25.343.5353.F	23	119,04	111,76	108,18	8213 BL / 23W OB
25.343.5453.F	24	124,12	116,84	113,26	8213 BL / 24W OB

Farbe / colour	.F
grau / grey	.0
schwarz / black	.1
grün / green	.7

Tolerierung nach DIN 7167/Tolerance system acc. to DIN 7167. (This DIN-standard describes the envelope principle. According to the envelope principle the deviations of form and parallelism are limited by the size tolerances).		ja/yes <input checked="" type="checkbox"/> Stoffverbots- und Deklarationsliste nach UU-TQM-05/03 ist einzuhalten. Conformity with Wieland document UU-TQM-05/03 (list of prohibited / declarable hazardous substances) to be declared!	
Freitoleranz nach General tolerance		CAD - Zeichnung, keine manuellen Änderungen CAD - drawing, no manual modifications allowed	
1. Verwendung: First Use:		Blatt: 1 von 1 Sheet: 1 of 1	
Werkstoff/Material		Zeichnung Nr./Drawing No.	
2008 Tag/Date		Name	
gezeichnet drawn		09.05. Schmitt J.	
geprüft checked			
Nichtgepr. Stand. check			
Maßstab/Scale		T 25.343.5453.0 01K	
2:1		Index	
Vol. mm <sup>3</sup> Ofl./Surf. mm <sup>2</sup>		Ersatz für/Replacement for: -	
wieland		Type	
Benennung/Title		pluggable PCB terminal LP_BUCHSENLEISTE	
Index Datum / Blatt Date / Sheet		m.Steck- und Lötansch.Rastermaß 5,08/Pitch5,08 inverted header solder version	
Änderung/Revision		Elektrische Verbindungen	

Weitergabe sowie Vervielfältigung dieses Dokuments, Verwertung und Mitteilung seines Inhalts sind verboten, soweit nicht ausdrücklich gestattet. The reproduction, distribution and utilization of this document as well as the communication of its contents to others without express authorization is prohibited.

253435453001K\_4\_CADW1042\_Schmitt 2008-05-09T14:47:19 1.000