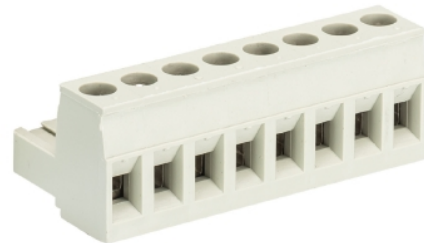


Data sheet

Commercial Art.No.: 25.340.4053.0

PCB connector 8213 B / 10 OB

PCB female connector with screw connection with rising cage clamp system, 10 poles, max. cross section: 2.5 mm², pitch: 5.08 mm, type of packing: carton, color: grey



Certificates / Approvals



Technical data

General

| | |
|------------------------------------|------------------|
| Modular spacing | 5.08 mm |
| Connection type | Screw connection |
| Soldering process | None |
| Packaging | Carton |
| Number of poles | 10 |
| Marking | No |
| Fastening | None |
| Mating direction towards connector | 180° |

Technical data

| | |
|--------------------------|---------------------|
| Nominal cross section | 2.5 mm ² |
| Rated current | 12 A |
| Overvoltage Category I | 1000 V |
| Overvoltage Category II | 400 V |
| Overvoltage Category III | 250 V |
| Rated impulse voltage | 4 kV |
| Wire strip length | 6 mm |

Connection Data

| | |
|-------------------------------------|----------------------|
| Minimum cross section solid | 0.14 mm ² |
| Maximum cross section solid | 2.5 mm ² |
| Minimum cross section fine stranded | 0.14 mm ² |
| Maximum cross section fine stranded | 2.5 mm ² |
| Wire strip length | 6 mm |

Technical Data UL/CSA

| | |
|------------------------|-----------|
| Cross section UL | 22-12 AWG |
| Voltage UL | 300 V |
| Current field wiring | 15 A |
| Current factory wiring | 15 A |

| | |
|-------------------|-----------|
| Cross section CSA | 22-12 AWG |
| Voltage CSA | 300 V |
| Current CSA | 15 A |

Other

| | |
|-----------------------------|---------------|
| Type of insulation material | Thermoplastic |
| Color | Grey |
| Height | 15 mm |
| Length | 50.8 mm |
| Depth | 18.2 mm |
| Material attachment screw | CuSn/Steel |
| Material contact base | CuSn |
| Material contact surface | Sn |

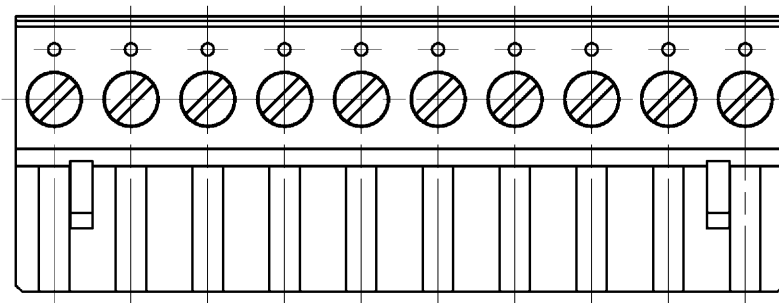
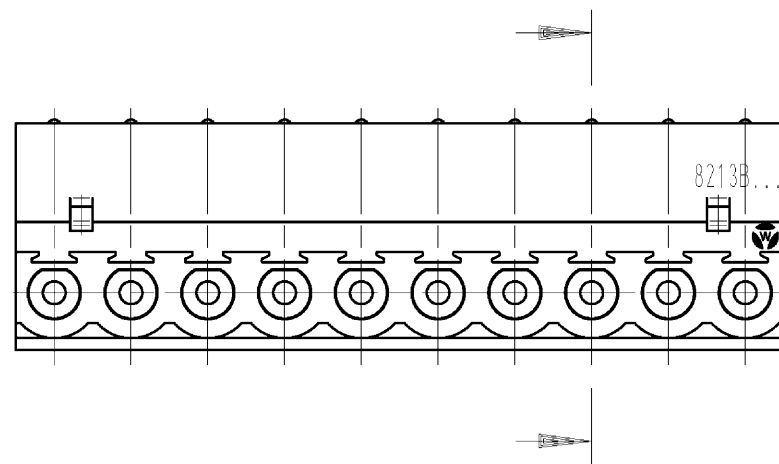
Classification

| | |
|------------|----------|
| ECLASS 11 | |
| ECLASS 8.1 | 27440402 |
| ETIM 7.0 | EC002637 |
| ETIM 6.0 | EC002637 |
| ETIM 5.0 | EC002637 |
| ETIM 4.0 | EC002637 |

Product compliance

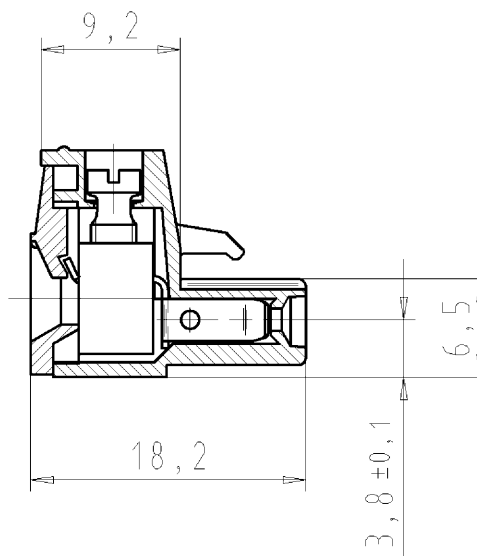
| | |
|------------------------------|--------------------|
| ROHS conformity status | Compliant/Exempted |
| ROHS exceptions | III-6(c) |
| REACH-SVHC conformity status | Duty-To-Declare |
| REACH-SVHC substances | Lead |
| REACH-SVHC CAS numbers | 7439-92-1 |

gezeichnete Ausführung:
10-polig
 drawn version
10 poles

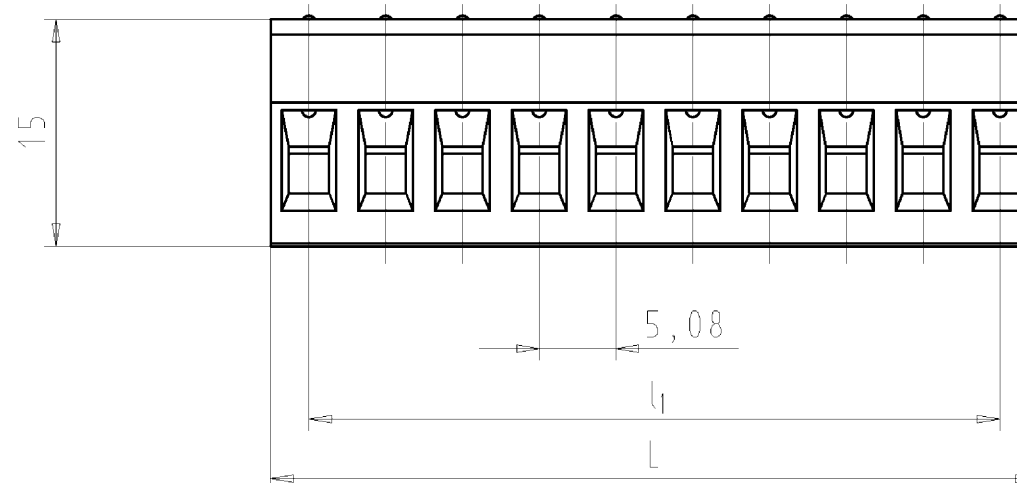


"X"

(a)



Ansicht "X"
 view "X"



Weitere Daten siehe Katalog
 further data see catalog

| Teile-Nr. part-no. | Pol-Z. pole | L | l1 | Typ type |
|-----------------------|----------------|----------------------|----------------------|--------------|
| 25.340.3253.F | 2 | 10.16 ^{0,4} | 5.08 ^{0,4} | 8213 B/ 2 OB |
| 25.340.3353.F | 3 | 15.24 ^{0,4} | 10.16 ^{0,4} | 8213 B/ 3 OB |
| 25.340.3453.F | 4 | 20.32 | 15.24 | 8213 B/ 4 OB |
| 25.340.3553.F | 5 | 25.40 | 20.32 | 8213 B/ 5 OB |
| 25.340.3653.F | 6 | 30.48 | 25.40 | 8213 B/ 6 OB |
| 25.340.3753.F | 7 | 35.56 | 30.48 | 8213 B/ 6 OB |
| 25.340.3853.F | 8 | 40.64 | 35.56 | 8213 B/ 7 OB |
| 25.340.3953.F | 9 | 45.72 | 40.64 | 8213 B/ 8 OB |
| 25.340.4053.F | 10 | 50.80 | 45.72 | 8213 B/ 9 OB |
| 25.340.4153.F | 11 | 55.88 | 50.80 | 8213 B/10 OB |
| 25.340.4253.F | 12 | 60.96 | 55.88 | 8213 B/11 OB |
| 25.340.4353.F | 13 | 66.04 | 60.96 | 8213 B/12 OB |
| 25.340.4453.F | 14 | 71.12 | 66.04 | 8213 B/13 OB |
| 25.340.4553.F | 15 | 76.20 | 71.12 | 8213 B/14 OB |
| 25.340.4653.F | 16 | 81.28 | 76.20 | 8213 B/15 OB |
| 25.340.4753.F | 17 | 86.36 | 81.28 | 8213 B/16 OB |
| 25.340.4853.F | 18 | 91.44 | 86.36 | 8213 B/17 OB |
| 25.340.4953.F | 19 | 96.52 | 91.44 | 8213 B/18 OB |
| 25.340.5053.F | 20 | 101.60 | 96.52 | 8213 B/19 OB |
| 25.340.5153.F | 21 | 106.68 | 101.60 | 8213 B/20 OB |
| 25.340.5253.F | 22 | 111.76 | 106.68 | 8213 B/21 OB |
| 25.340.5353.F | 23 | 116.84 | 111.76 | 8213 B/22 OB |
| 25.340.5453.F | 24 | 121.92 | 116.84 | 8213 B/23 OB |

| .F | Farbe/ colour | | |
|----|----------------|----|-------------|
| .0 | grau/grey | .6 | blau/blue |
| .1 | schwarz/ black | .7 | grün/green |
| .2 | weiß/white | .8 | gelb/yellow |
| .4 | braun/brown | .9 | orange |

| | | | |
|---|---|---|---|
| Tolerierung Size ISO 14405/Tolerance system Size ISO 14405. (This ISO-standard describes the envelope principle. According to the envelope principle the deviations of form and parallelism are limited by the size tolerances). | | ja/yes <input checked="" type="checkbox"/> Stoffverbots- und Deklarationsliste nach UU-TOM-05/03 ist einzuhalten. Conformity with Wieland document UU-TOM-05/03 (list of prohibited / declarable hazardous substances) to be declared! | |
| Freitoleranz nach General tolerance | DIN ISO 2768 - m | CAD - Zeichnung, keine manuellen Änderungen CAD - drawing, no manual modifications allowed | 1.Verwendung: First Use: - |
| | Werkstoff/Material | 2011 Tag/Date Name | Blatt: 1 von 1 Sheet: of 1 |
| | Maßstab/Scale 2:1 | gezeichnet drawn 01.07. geprüft checked Normgepr. Stand. check | Zeichnung Nr./Drawing No. T 25.340.3253.0 01K a |
| | Vol. mm ³ Ofl./Surf. mm ² | Ersatz für/Replacement for: - | |
| | Änderung/Revision | Type 8213 B/ OB | Benennung/Tittle pluggable PCB terminal LP_BUCHSENLEISTE mit Steck- und Schraubanschluß Rastermaß 5,08 with plug in and screw connection pitch 5,08 |

Weitergabe sowie Vervielfältigung dieses Dokuments, Verwertung und Mitteilung seines Inhalts sind verboten, soweit nicht ausdrücklich gestattet. Die Reproduktion, Distribution und Nutzung dieses Dokuments sowie die Kommunikation der Inhalte mit anderen ohne ausdrückliche Genehmigung ist untersagt.

253403253001K_2_CADW2035_Schmitt: 2012-08-01T08:35:03 1.000