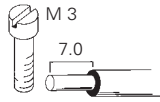
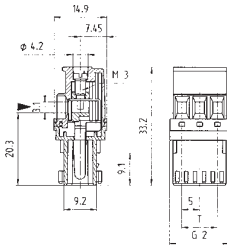


wiecon

RAST 5 Tab connectors

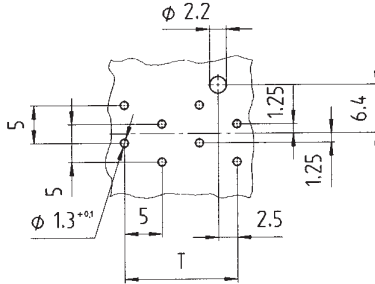


Type 8105 B/... C... VL OB

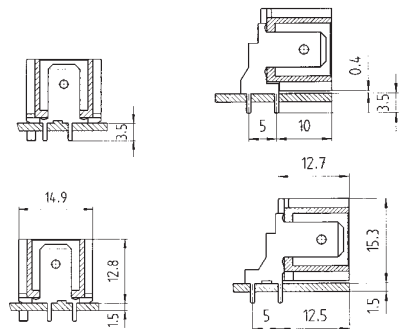
No. 26 – 12 AWG 300 V 10 A
 No. 26 – 12 AWG 300 V 10 A



Bore hole plan, side view



No positioning stud for version
 8105 F/... WC ...OB



Type 8105 F/... GC ... OB / 8105 F/... WC... OB

No. 26 – 12 AWG 300 V 10 A
 No. 26 – 12 AWG 300 V 10 A



Rated voltages VDE 0110
 UL ratings
 CSA ratings
 Approvals

| Part no. | Std. pack | G1 | G2 | G3 | T | Part no. | Part no. |
|---------------|-----------|----|------|----|----|---------------|---------------|
| unmarked | | | | | | unmarked | unmarked |
| | | | | | | | |
| 15.010.0253.0 | 100 | 10 | 11.8 | | 5 | 15.301.0258.9 | 15.311.0258.9 |
| 15.011.0253.0 | 100 | 10 | 11.8 | 12 | 5 | 15.302.0258.9 | 15.312.0258.9 |
| 15.012.0253.0 | 100 | 10 | 11.8 | 12 | 5 | | |
| 15.013.0253.0 | 100 | 10 | 11.8 | 12 | 5 | 15.303.0258.9 | 15.313.0258.9 |
| 15.014.0253.0 | 100 | 10 | 11.8 | 12 | 5 | 15.304.0258.9 | 15.314.0258.9 |
| 15.015.0253.0 | 100 | 10 | 11.8 | 12 | 5 | 15.305.0258.9 | 15.315.0258.9 |
| 15.016.0253.0 | 100 | 10 | 11.8 | 12 | 5 | 15.306.0258.9 | 15.316.0258.9 |
| 15.017.0253.0 | 100 | 10 | 11.8 | 12 | 5 | 15.307.0258.9 | 15.317.0258.9 |
| 15.010.0353.0 | 100 | 15 | 16.8 | | 10 | 15.301.0358.9 | 15.311.0358.9 |
| 15.011.0353.0 | 100 | 15 | 16.8 | 17 | 10 | 15.302.0358.9 | 15.312.0358.9 |
| 15.012.0353.0 | 100 | 15 | 16.8 | 17 | 10 | | |
| 15.013.0353.0 | 100 | 15 | 16.8 | 17 | 10 | 15.303.0358.9 | 15.313.0358.9 |
| 15.014.0353.0 | 100 | 15 | 16.8 | 17 | 10 | 15.304.0358.9 | 15.314.0358.9 |
| 15.015.0353.0 | 100 | 15 | 16.8 | 17 | 10 | 15.305.0358.9 | 15.315.0358.9 |
| 15.016.0353.0 | 100 | 15 | 16.8 | 17 | 10 | 15.306.0358.9 | 15.316.0358.9 |
| 15.017.0353.0 | 100 | 15 | 16.8 | 17 | 10 | 15.307.0358.9 | 15.317.0358.9 |
| 15.010.0453.0 | 50 | 20 | 21.8 | | 15 | 15.301.0458.9 | 15.311.0458.9 |
| 15.011.0453.0 | 50 | 20 | 21.8 | 22 | 15 | 15.302.0458.9 | 15.312.0458.9 |
| 15.012.0453.0 | 50 | 20 | 21.8 | 22 | 15 | | |
| 15.013.0453.0 | 50 | 20 | 21.8 | 22 | 15 | 15.303.0458.9 | 15.313.0458.9 |
| 15.014.0453.0 | 50 | 20 | 21.8 | 22 | 15 | 15.304.0458.9 | 15.314.0458.9 |
| 15.015.0453.0 | 50 | 20 | 21.8 | 22 | 15 | 15.305.0458.9 | 15.315.0458.9 |
| 15.016.0453.0 | 50 | 20 | 21.8 | 22 | 15 | 15.306.0458.9 | 15.316.0458.9 |
| 15.010.0553.0 | 50 | 25 | 26.8 | | 20 | | |
| 15.011.0553.0 | 50 | 25 | 26.8 | 27 | 20 | 15.301.0558.9 | 15.311.0558.9 |
| 15.012.0553.0 | 50 | 25 | 26.8 | 27 | 20 | 15.302.0558.9 | 15.312.0558.9 |
| 15.010.0653.0 | 50 | 30 | 31.8 | | 25 | | |
| 15.011.0653.0 | 50 | 30 | 31.8 | 32 | 25 | 15.301.0658.9 | 15.311.0658.9 |
| 15.012.0653.0 | 50 | 30 | 31.8 | 32 | 25 | 15.302.0658.9 | 15.312.0658.9 |
| 15.010.0753.0 | 50 | 35 | 36.8 | | 30 | | |
| 15.011.0753.0 | 50 | 35 | 36.8 | 37 | 30 | 15.301.0758.9 | 15.311.0758.9 |
| 15.012.0753.0 | 50 | 35 | 36.8 | 37 | 30 | 15.302.0758.9 | 15.312.0758.9 |