



wiebox

# **COVERED** INDIVIDUALLY

Housing systems for industry and buildings.

# HELLO WIELAND ELECTRIC

Over 100 years of safe connections.

As the inventor of safe electrical connection technology,  
we are committed to individual and safe system solutions.

Together with our broad product portfolio we offer comprehensive services for industry applications as well as building installation and lighting technology. This experience amounts to Wieland being the global market leader for pluggable, electrical installations in commercial buildings and a dependable partner for machine safety. Our solutions are designed for the secure safety of your team, ensuring that integration of our system is fast and easy while saving time and cost. Thanks to our modular solutions your requirements can be satisfied in a fast, flexible and fail-safe way.

We operate worldwide with subsidiaries, production facilities and sales partners and have an excellent global network. Our specialist teams are supporting customers and projects across the globe – personally and individually. Our competences in engineering, production and logistics processes are interlinked with each other for maximum efficiency.

We are looking forward to exploring all partnership opportunities with you.



**1910**

founded in  
Bamberg



**1.600+**

employees  
worldwide



**6**

production  
sites



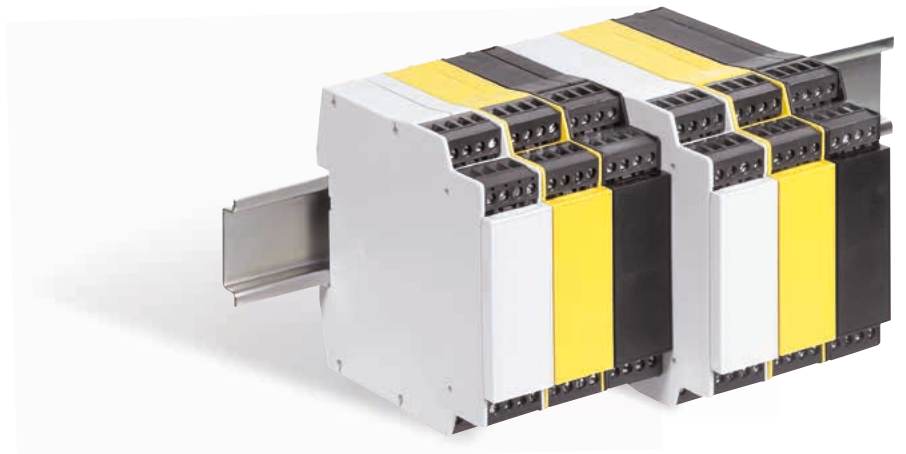
**70+**

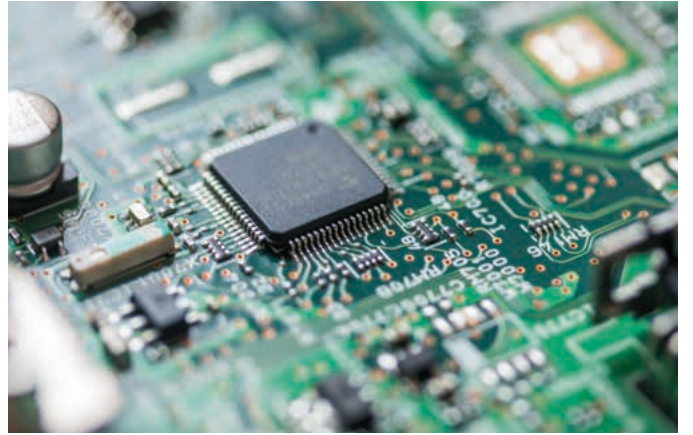
countries  
worldwide

# CONTENTS

---

- 05** Robust solutions for the safe housing of electronics
- 06** Overview of the wiebox housing system
- 08** The compact housing series wiebox STANDARD + COMPACT
- 12** The universal housing series wiebox WEG
- 16** The modular housing series wiebox WEB
- 27** wiebox WEB connector system
- 28** Marking material for wiebox WEG + WEB housing systems
- 30** GST® flexible distribution boxes
- 34** Domestic appliance standard + facts on No Flame
- 36** Customized solutions
- 38** Our services + offers
- 39** Information and contacts





# ROBUST SOLUTIONS FOR YOUR ELECTRONICS.

---

As one of the longest serving providers of electrical communication and safety technology for control cabinets, we integrate customer requirements and practical experience, as well as our engineering knowledge into our housing development.

Thanks to their configuration, our robust electronic empty housings and housing systems offer maximum flexibility for your applications. In various sizes and designs, they offer electronic parts and circuits reliable and robust protection as field housings.

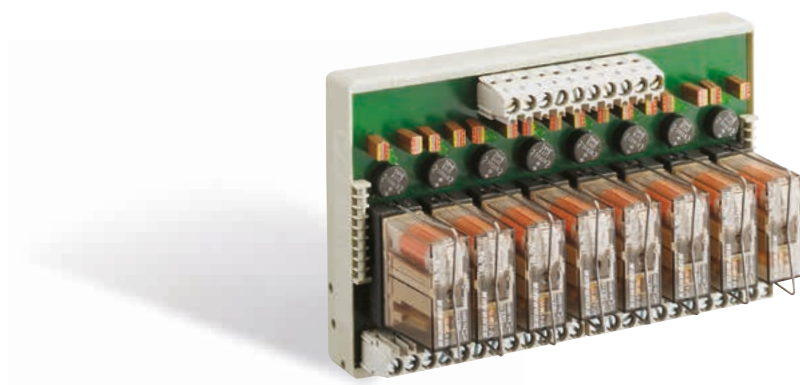
We are also happy to meet customization requirements, such as printing, marking, hole openings and special colors.

## SPECIALLY SUITABLE FOR

- + Industrial electronics
- + Reliable building installations
- + Applications with mounting rail assemblies

### HOUSING FOR:

- + DEVICE AND CONTROL-  
LERS FOR CONSUMER  
ELECTRONICS
- + INDUSTRIAL ELECTRONICS
- + CONTROL ELECTRONICS
- + DATA TECHNOLOGY



# WIEBOX HOUSING SYSTEMS.

To guarantee our customers maximum robustness and safety, we produce our housing systems from durable laser-capable polycarbonate plastic and to “Made in Germany quality standards”.

Suitable printed circuit boards, individual design options and a convenient assembly make our housings an integral solution system.



## THE HOUSING FEATURES

- ▶ **Low costs for flexible applications**
- ▶ **Long service life under extreme conditions**
- ▶ **Choice of housing variants**



### WIEBOX STANDARD + COMPACT

The compact empty housing series

Versions in 22.5 mm and 45 mm housing widths in various colors.

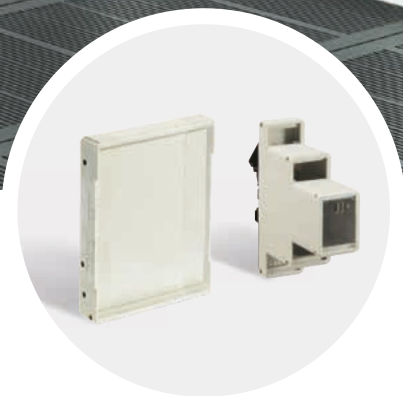
Produced from laser-capable polycarbonate plastic.



### WIEBOX WEG

The universal empty housing series

Designs in various installation widths for mounting fully assembled printed circuit boards, including connectors.

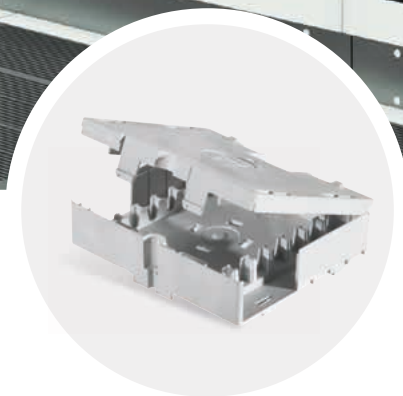


### WIEBOX WEB

---

#### The modular housing system

Open and closed variants, modular assembly, with marking system. Transparent covers for checking visual displays.



### GST18®

---

#### The flexible distribution boxes

Distributor solutions in the building sector can easily be connected with the flexible housings in this series.



### INDIVIDUAL HOUSINGS

---

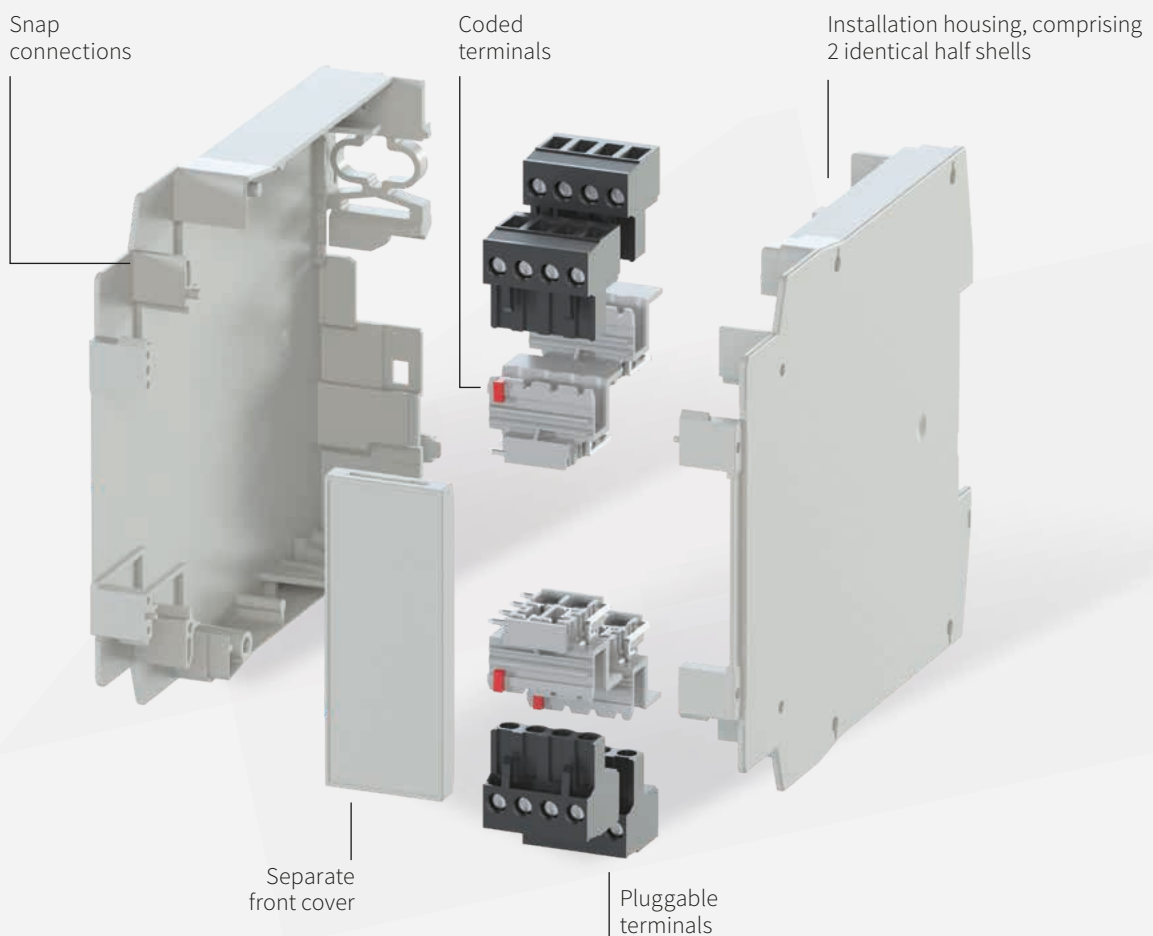
#### From the idea to the solution

Almost all size is possible! We provide support for development and supply exactly the housing you need in the best Made in Germany quality.



# WIEBOX STANDARD + COMPACT COMPACT EMPTY HOUSINGS.

Electronic empty housing designed specifically for top hat rail installations and with integrated mounting foot TS35. Designed for a compact fit, extremely durable with extensive stress-testing, a completely robust solution suitable for all applications.



## FEATURES

- + Housing widths 22.5 mm and 45 mm
- + From durable, laser-capable polycarbonate plastic
- + Housing/terminals protection class IP40/IP20
- + Housings also available with ventilation slots
- + Cable cross-section to 2.5 mm<sup>2</sup>, rated voltage to 500 V
- + Assembly on mounting rails TS35





# WIEBOX STANDARD + COMPACT



## wiebox



STANDARD/COMPACT



Description	Model	Art. No.	PU
Empty housing, sample set	<b>wiebox</b> STANDARD	99.800.0000.0	1
Half shell, gray <sup>*)</sup>	<b>wiebox</b> STANDARD	01.004.5000.0	100
Half shell, black <sup>*)</sup>	<b>wiebox</b> STANDARD	01.004.5000.1	100
Half shell, yellow <sup>*)</sup>	<b>wiebox</b> STANDARD	01.004.5000.8	100
Empty housing, sample set	<b>wiebox</b> COMPACT	99.801.0000.0	1
Half shell, gray <sup>*)</sup>	<b>wiebox</b> COMPACT	01.004.6000.0	100
Half shell, black <sup>*)</sup>	<b>wiebox</b> COMPACT	01.004.6000.1	100
Half shell, yellow <sup>*)</sup>	<b>wiebox</b> COMPACT	01.004.6000.8	100
Front cover, gray	<b>wiebox</b> STANDARD/COMPACT	07.430.4600.0	50
Front cover, black	<b>wiebox</b> STANDARD/COMPACT	07.430.4600.1	50
Front cover, yellow	<b>wiebox</b> STANDARD/COMPACT	07.430.4600.8	50

TECHNICAL DATA	STANDARD	COMPACT
Dimensions W x H x D (mm)	22.5 x 96.5 x 114	22.5 x 96.5 x 91.5
Housing type	Installation housing, comprising 2 identical half shells	
Installation	TS 35	
Material	PC	
Color	Light gray RAL 7035; Black RAL 9005; Yellow RAL1021	
Ambient temperature in operation	-20 °C ... +60 °C	
Creep resistance	CTI 225	
Combustibility	UL 94-V0 (min thickness 1.5 mm)	
Heat wire resistance	960 °C; IEC60695-2-12	
Printed circuit board nominal thickness	Type 1.5 mm	
Printed circuit board dimensions	Upon request	

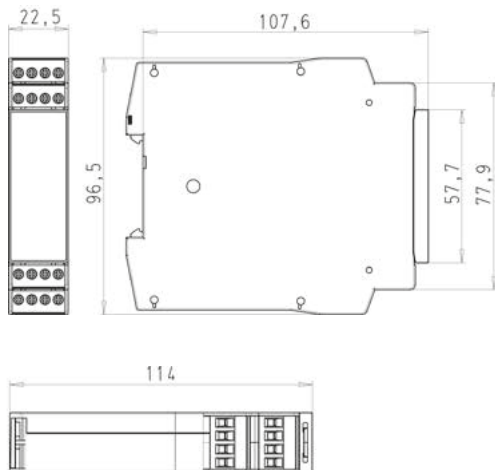
<sup>\*)</sup> 2 shells are required per housing

Housings are supplied without printed circuit board terminals and pin headers.

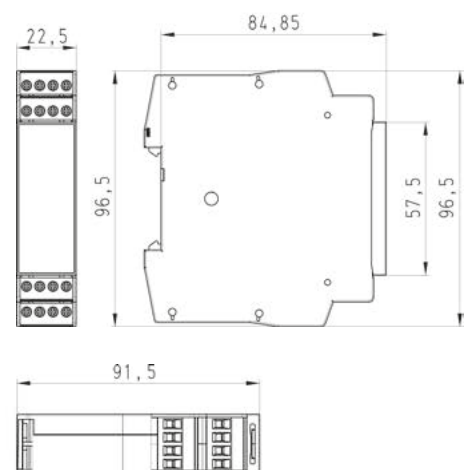
Housings also available with ventilation slots or bus cut-out.

## DIMENSIONS

wiebox STANDARD



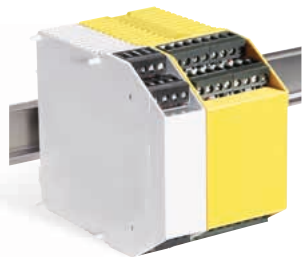
wiebox COMPACT



# WIEBOX STANDARD N



## wiebox



STANDARD N 22.5mm/45 mm



Description	Model	Art. No.	PU
Housing shell left	wiebox STANDARD N 22,5 mm	01.012.7756.0	100
Housing shell right	wiebox STANDARD N 22,5 mm	01.012.7356.0	100
Release catch	wiebox STANDARD N 22,5 mm	06.561.4751.0	100
Front cover with openings	wiebox STANDARD N 22,5 mm	07.432.5956.0	100
Front cover closed	wiebox STANDARD N 22,5 mm	07.430.4656.0	100
Grounding spring	wiebox STANDARD N 22,5 mm	02.232.2119.0	100

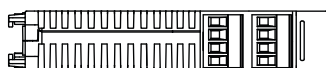
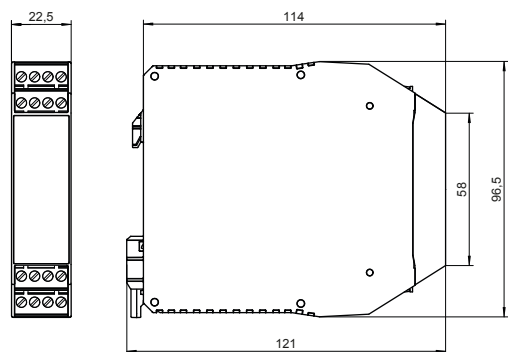
Housing shell left	wiebox STANDARD N 45 mm	01.012.8156.0	100
Housing shell right	wiebox STANDARD N 45 mm	01.012.8356.0	100
Housing support module with grounding spring and release catch	wiebox STANDARD N 45 mm	Z1.012.9453.0	100
Front cover	wiebox STANDARD N 45 mm	07.432.6056.0	100
Front film	wiebox STANDARD N 45 mm	Upon request	100

TECHNICAL DATA	STANDARD N 22.5 mm	STANDARD N 45 mm
Dimensions W x H x D (mm)	22.5 x 96.5 x 114	45 x 96.5 x 114
Installation	TS 35	
Material	PC	
Color	Light gray RAL 7035; Black RAL 9005; Yellow RAL1021	
Ambient temperature in operation	-20 °C ... +60 °C	
Creep resistance	CTI 225	
Combustibility	UL 94-V0 (min thickness 1.5 mm)	
Heat wire resistance	960 °C; IEC60695-2-12	
Printed circuit board nominal thickness	Type 1.5 mm	
Printed circuit board dimensions	Upon request	

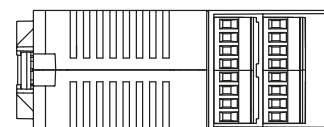
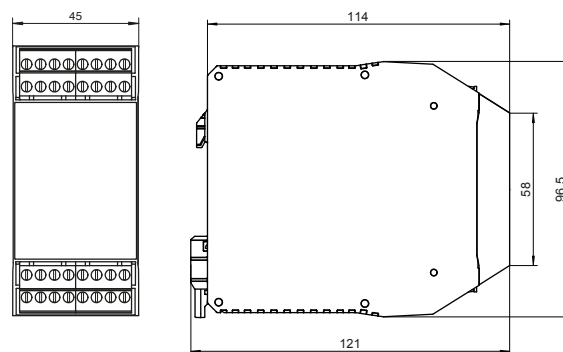
Housings also available with ventilation slots or bus cut-out. Housings are supplied without printed circuit board terminals and pin headers.

## DIMENSIONS

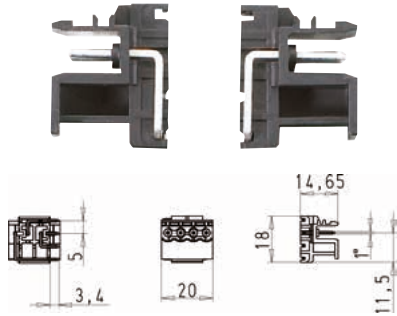
wiebox STANDARD N 22.5mm



wiebox STANDARD N 45 mm



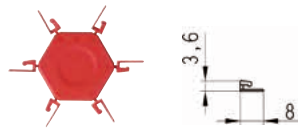
## LP pin header



Description	Model	Art. No.	PU
LP pin header	Links	25.332.6453.1	50
LP pin header	Right	25.332.7453.1	50

TECHNICAL DATA	
Pitch	5,0 mm
Solder pin diameter	1,0 mm
Material	PA 66/6
Color	Black
Coding possibility	4 (15 combinations)
Rated voltage	250 V
Rated current	12 A
approval	

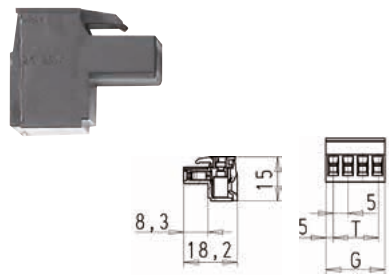
## Coding pin LP pin header



Description	Art. No.	PU
Coding pin LP pin header	05.567.5053.5	102

TECHNICAL DATA	
Material	PA 66/6
Color	Red

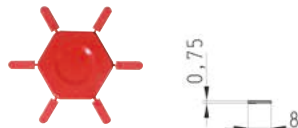
## Female connector 4 pin



Description	Art. No.	PU
Female connector 4 pin	26.320.3453.1	50

TECHNICAL DATA	
Material	PA66/6
Color	Black
Connector cross section	0,14 ... 2,5 mm <sup>2</sup>
Tightening moment	0,5 ... 0,7 Nm
Wire strip length	7 mm
Coding possibility	4 (15 combinations)
Rated voltage	250 V
Rated current	12 A
approval	

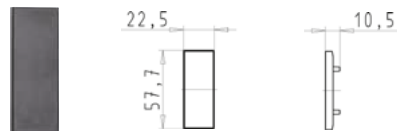
## Female connector coding pin



Description	Art. No.	PU
Female connector coding pin	05.567.5153.5	102

TECHNICAL DATA	
Material	PA 66/6
Color	Red

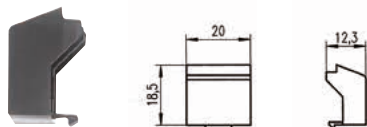
## Front covers



Description	Art. No.	PU
Front covers	07.430.4600.0/1/8	50

TECHNICAL DATA	
Material	PC
Color	Gray/black/yellow

## Blind cover



Description	Art. No.	PU
Blind cover	07.430.7853.1	50

TECHNICAL DATA	
Material	PC
Color	Black

## Grounding spring



Description	Art. No.	PU
Grounding spring	02.232.2119.0	50

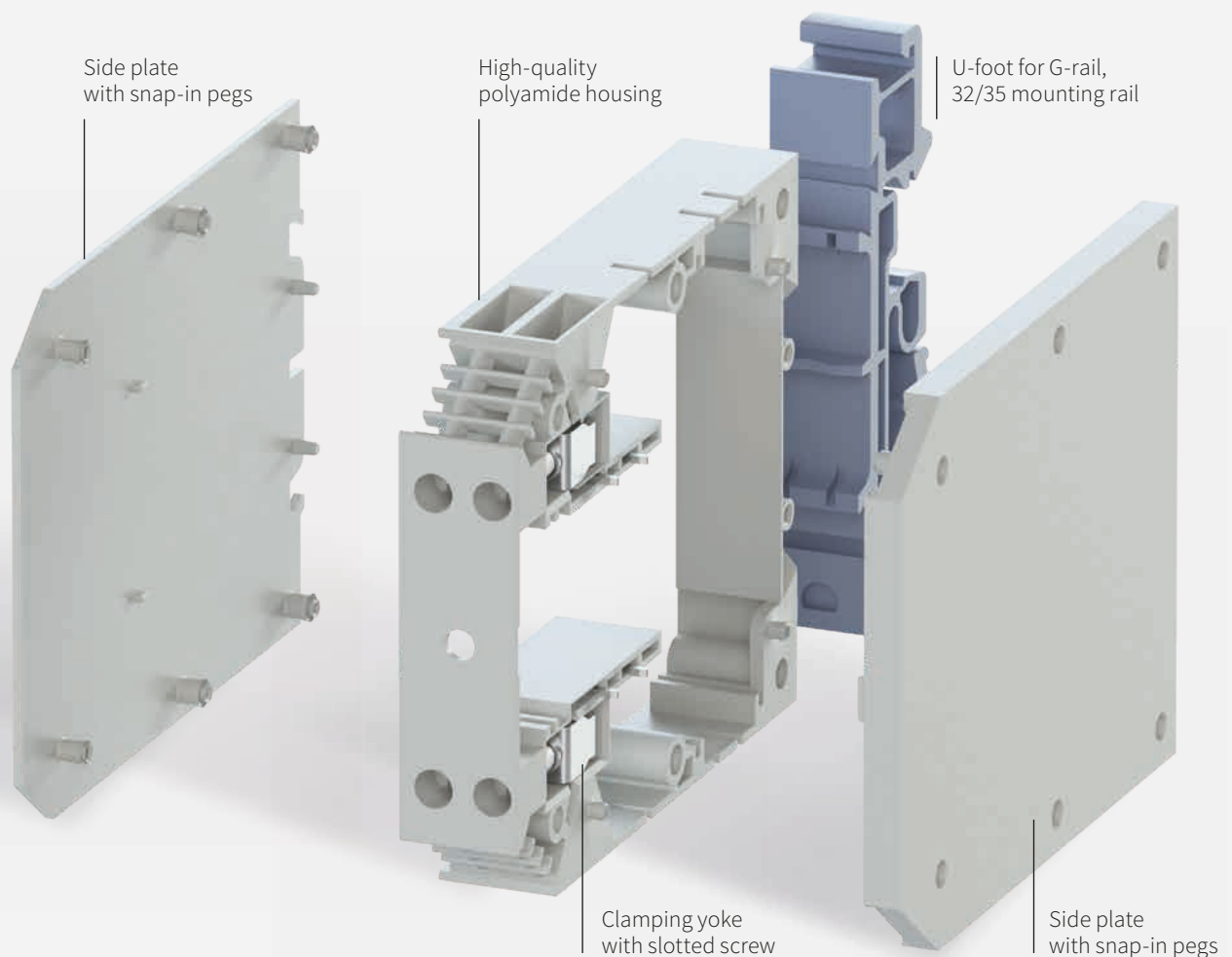
TECHNICAL DATA	
Material	Metal



# WIEBOX WEG

## THE UNIVERSAL EMPTY HOUSING.

Installation housings for mounting completely assembled printed circuit boards – universal use. Your electronic modules are perfectly protected, even under extreme conditions.



### FEATURES

- + Created from durable polyamide/plastic
- + Housing protection rating IP20
- + Conductor cross-section to 6 mm<sup>2</sup>
- + Suitable for G-rail and mounting rails TS 32/TS 35
- + Screw connection with clamping yoke system
- + “No Flame” variants available



## wiebox WEG 1

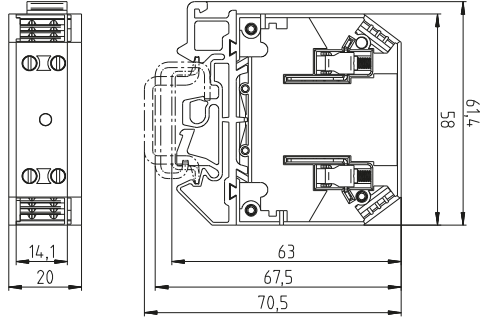


Description	Model	Art. No.	PU
Empty housing with U-foot, without printed circuit board	wiebox WEG 1	57.801.0053.0	1

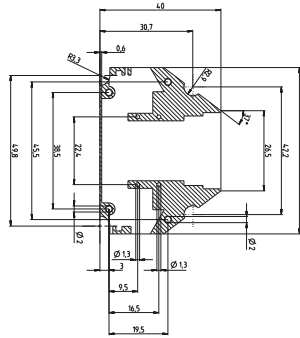
TECHNICAL DATA	
Assembly width	20 mm
Installation height incl. TS 35	70.5 mm
Wire range	
Fine-stranded/single-stranded	0.14 - 4 mm <sup>2</sup> / 0.14 - 6 mm <sup>2</sup>
UL	22 - 10 AWG
CSA	20 - 10 AWG
Wire strip length	9.5 mm
screw thread	Slotted screw M3
Torque	0.5 Nm
Certificates / Approvals	
Printed circuit board dimensions	55 x 40 mm

## DIMENSIONS

wiebox WEG 1



wiebox WEG 1 printed circuit board



wiebox WEG 1 wiring diagram



## wiebox WEG 2

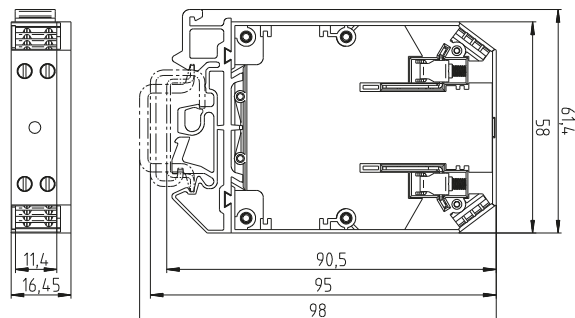


Description	Model	Art. No.	PU
Empty housing with U-foot, without printed circuit board	wiebox WEG 2	57.801.5053.0	1

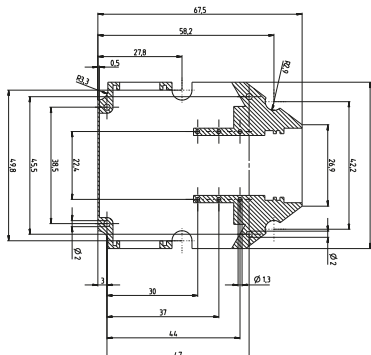
TECHNICAL DATA	
Assembly width	16.5 mm
Installation height incl. TS 35	98 mm
Wire range	
Fine-stranded/single-stranded	0.14 - 4 mm <sup>2</sup> / 0.14 - 6 mm <sup>2</sup>
UL	22 - 10 AWG
CSA	20 - 10 AWG
Wire strip length	9.5 mm
screw thread	Slotted screw M3
Torque	0.5 Nm
Certificates / Approvals	
Printed circuit board dimensions	55 x 67.5 mm

## DIMENSIONS

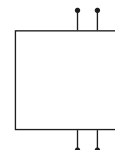
wiebox WEG 2



wiebox WEG 2 printed circuit board



wiebox WEG 2 wiring diagram



## wiebox WEG 3

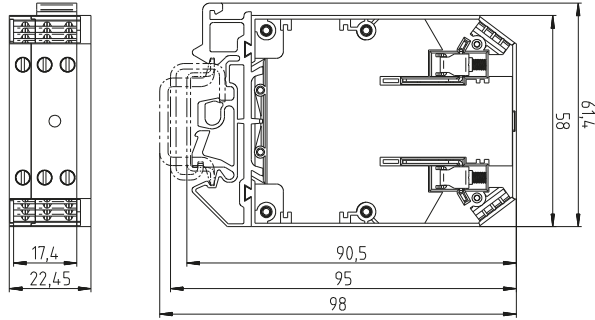


Description	Model	Art. No.	PU
Empty housing with U-foot, without printed circuit board	wiebox WEG 3	57.801.5153.0	1

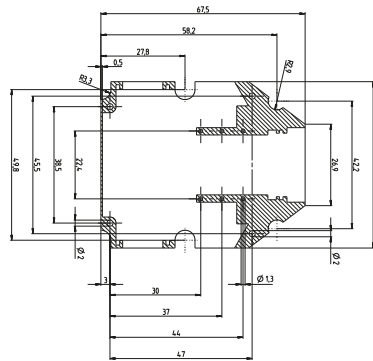
TECHNICAL DATA	
Assembly width	22.5 mm
Installation height incl. TS 35	98 mm
Wire range	
Fine-stranded/single-stranded	0.14 - 4 mm <sup>2</sup> / 0.14 - 6 mm <sup>2</sup>
UL	22 - 10 AWG
CSA	20 - 10 AWG
Wire strip length	9.5 mm
Screw thread	Slotted screw M3
Torque	0.5 Nm
Certificates / Approvals	
Printed circuit board dimensions	55 x 67.5 mm

## DIMENSIONS

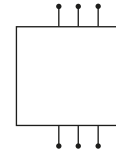
wiebox WEG 3



wiebox WEG 3 printed circuit board



wiebox WEG 3 wiring diagram



## wiebox WEG 4

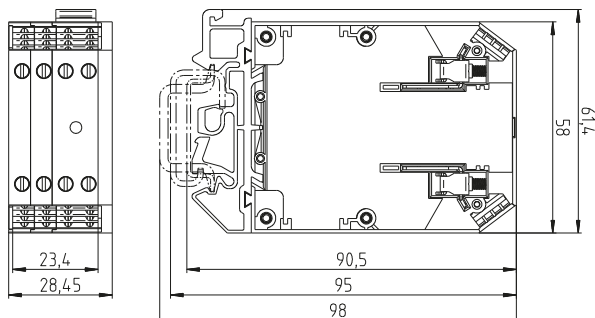


Description	Model	Art. No.	PU
Empty housing with U-foot, without printed circuit board	wiebox WEG 4	57.801.5253.0	1

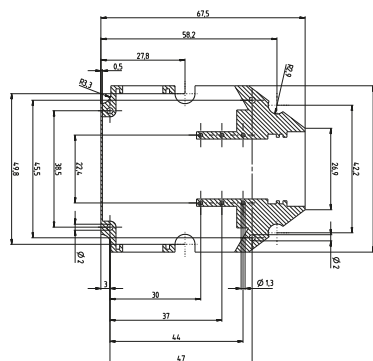
TECHNICAL DATA	
Assembly width	28.5 mm
Installation height incl. TS 35	98 mm
Wire range	
Fine-stranded/single-stranded	0.14 - 4 mm <sup>2</sup> / 0.14 - 6 mm <sup>2</sup>
UL	22 - 10 AWG
CSA	20 - 10 AWG
Wire strip length	9.5 mm
Screw thread	Slotted screw M3
Torque	0.5 Nm
Certificates / Approvals	
Printed circuit board dimensions	55 x 67.5 mm

## DIMENSIONS

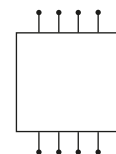
wiebox WEG 4



wiebox WEG 4 printed circuit board



wiebox WEG 4 wiring diagram



## wiebox WEG 5



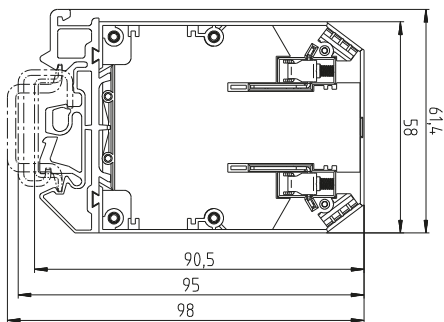
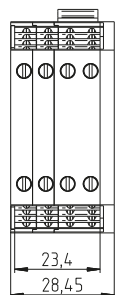
Description	Model	Art. No.	PU
Empty housing with U-foot, without printed circuit board	wiebox WEG 5	57.801.5453.0	1

### TECHNICAL DATA

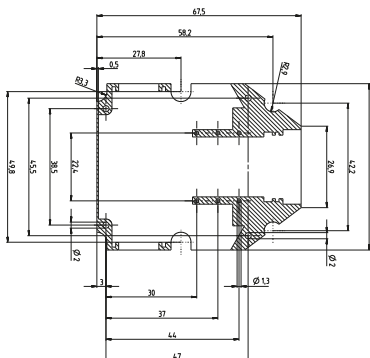
Assembly width	28.5 mm
Installation height incl. TS 35	98 mm
Wire range	
Fine-stranded/single-stranded	0.14 - 4 mm <sup>2</sup> / 0.14 - 6 mm <sup>2</sup>
UL	22 - 10 AWG
CSA	20 - 10 AWG
Wire strip length	9.5 mm
Screw thread	Slotted screw M3
Torque	0.5 Nm
Certificates / Approvals	
Printed circuit board dimensions	55 x 67.5 mm

## DIMENSIONS

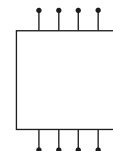
wiebox WEG 5



wiebox WEG 5 printed circuit board

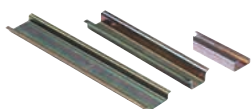


wiebox WEG 5 wiring diagram



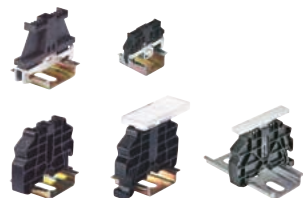
## WIEBOX WEG · ACCESSORIES

### Mounting rail



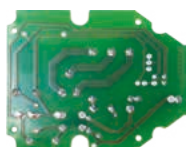
Description	Model	Art. No.	PU
Mounting rail 35, top hat rail H = 7.5 mm, L = 2 m	35 x 27 x 7.5 EN 50022	98.300.0000.0	1
Mounting rail 35, top hat rail H = 15 mm, L = 2 m	35 x 24 x 15 EN 50022	98.360.0000.0	1
Mounting rail 32, G-rail H = 15 mm, L = 2 m	9006 EN 50035 G-32	98.190.0000.0	1

### End bracket



Description	Model	Art. No.	PU
End bracket polyamide 8 mm wide TS 35	9708/2 S 35	Z5.522.8553.0	100
End bracket polyamide 10 mm wide U-foot	WE 1/U	Z5.523.5753.0	100
Screwless end bracket 8 mm wide TS 35	WEF 1/35	Z5.523.9353.0	100
Screwless end bracket 17.5 mm wide TS 35 with marking option	WEF 1 BS/35	69.920.1053.0	100
Screwless end bracket 8 mm wide TS 35 with marking option	WEF 1 BSS/35	69.920.1253.0	100

### Printed circuit board



Description	Model	Art. No.	PU
Sample printed circuit board		Z8.000.0123.1	10

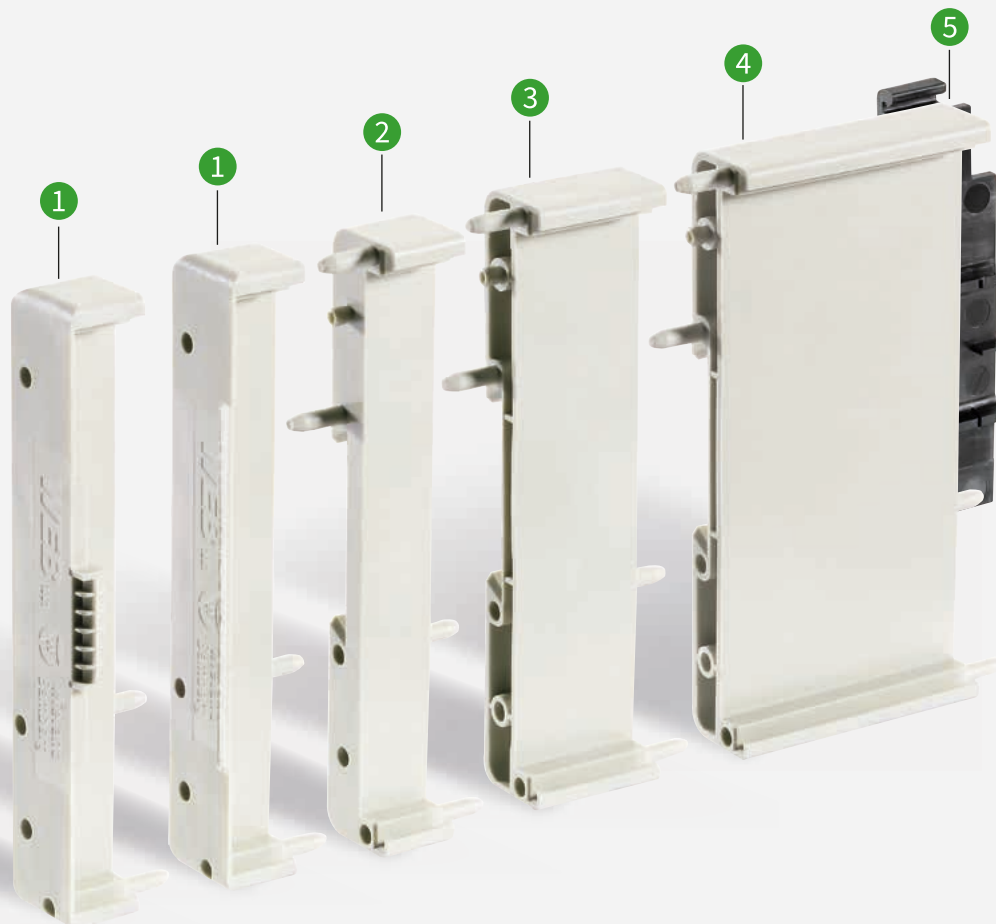
### Marking tag carrier

Description	Model	Art. No.	PU
Marking tag without marking	9003 C	04.241.0651.0	500
Marking tag with marking	9003 CB	04.841.0651.0	500



# WIEBOX WEB OPEN VERSION MODULAR HOUSING SYSTEM.

Our modular, clip-together, empty housing module enables an extremely quick plug-in assembly based on the modular design principle. Printed circuit boards can be assembled with the connections and parts, independently of the housing.



## FEATURES

- + U-foot suitable for G-rail and mounting rails TS 32/TS 35
- + High torsional stiffness due to a fixed mortising of the individual elements
- + Printed circuit board can be assembled and soldered independently of the housing
- + Connection technology independent of the housing part
- + Simple and various marking options
- + “No Flame” variants available





# WIEBOX WEB 1001 + 1002 · OPEN



## wiebox WEB 1001



Printed circuit board  
(not in delivery program)

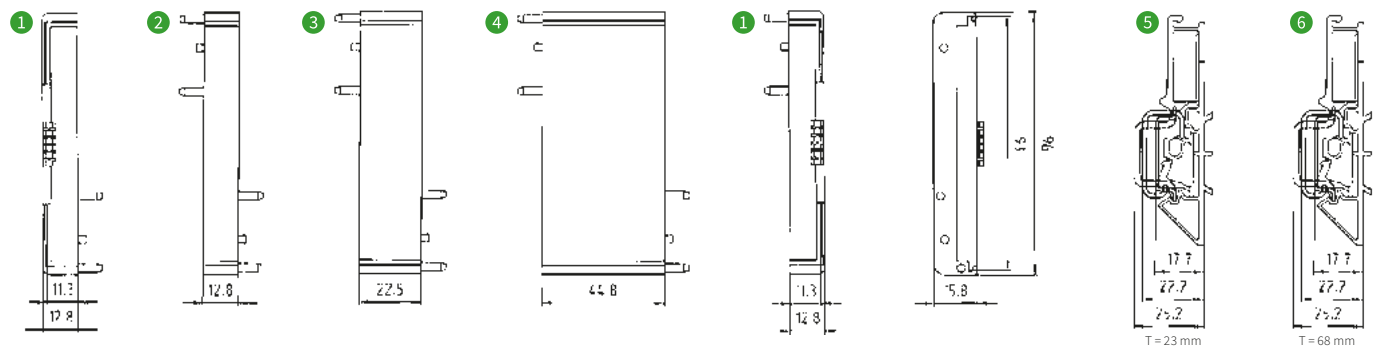
Description	Model	Art. No.	PU
<b>wiebox</b> WEB 1001	Single parts		
1 End piece with marker receptacle	Width 12.8 mm	01.001.5593.0	50
1 End piece without marker receptacle	Width 12.8 mm	01.001.5953.0	10
2 Housing center piece	Width 12.8 mm	01.001.5853.0	50
3 Housing center piece	Width 22.5 mm	01.001.5653.0	50
4 Housing center piece	Width 44.8 mm	01.001.5753.0	50
5 Universal foot	Width 23 mm	05.583.0053.0	50
6 Universal foot (from 70.4 mm wide)	Width 68 mm	05.583.0153.0	50

### TECHNICAL DATA

Housing material	PA 6 GU30	UL 94-HB
Foot material	PA 66	UL 94-V2
Housing dimensions W x H x D (mm)	variable x 96 x 33.5	
Printed circuit board dimensions W x H x D (mm)	min. 22.6 x 92.8, width expandable to 2 3 4	

## DIMENSIONS

### wiebox WEB 1001



## wiebox WEB 1002



Printed circuit board  
(not in delivery program)

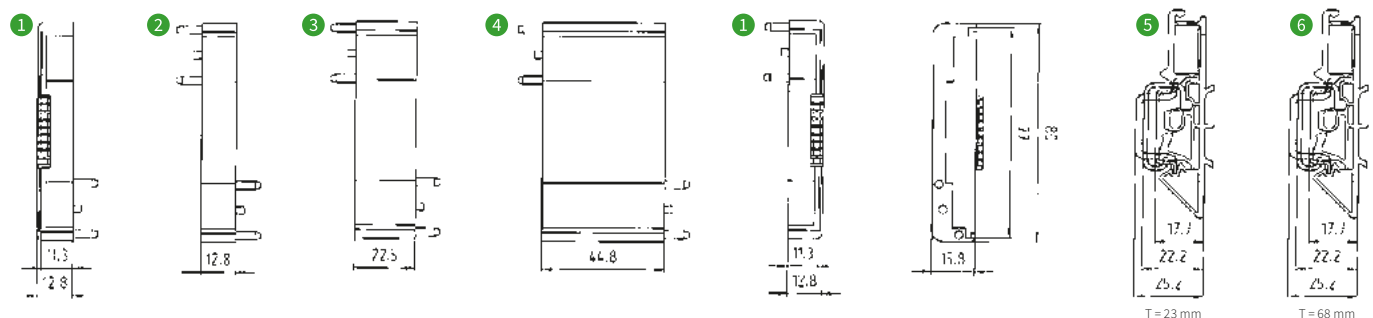
Description	Model	Art. No.	PU
<b>wiebox</b> WEB 1002	Single parts		
1 End piece with marker receptacle	Width 12.8 mm	01.001.6493.0	50
2 Housing center piece	Width 12.8 mm	01.001.6553.0	50
3 Housing center piece	Width 22.5 mm	01.001.6653.0	50
4 Housing center piece	Width 44.8 mm	01.001.6753.0	50
5 Universal foot	Width 23 mm	05.584.8853.0	50
6 Universal foot (from 70.4 mm wide)	Width 68 mm	05.584.8953.0	50

### TECHNICAL DATA

Housing material	PA 6 GU30	UL 94-HB
Foot material	PA 66	UL 94-V2
Housing dimensions W x H x D (mm)	variable x 80 x 33.5	
Printed circuit board dimensions W x H x D (mm)	min. 22.6 x 76.8, width expandable to 2 3 4	

## DIMENSIONS

### wiebox WEB 1002



# WIEBOX WEB 1002 · OPEN · WITH U-FOOT



## WIEBOX WEB 1002 WITH U-FOOT



Printed circuit board  
(not in delivery program)



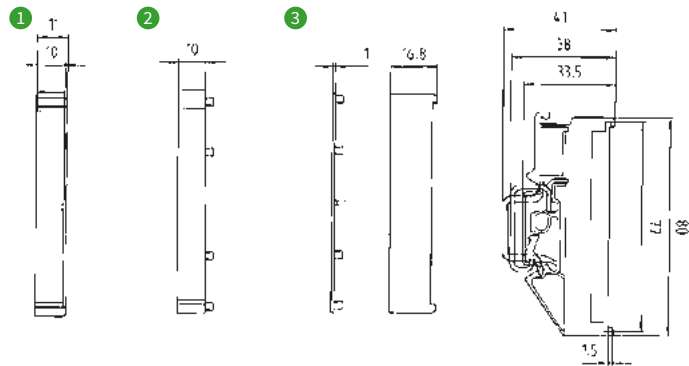
Description	Model	Art. No.	PU
wiebox WEB 1002 mit U-Fuß	Single parts		
1 End piece with integrated U-foot	Width 11 mm	01.001.6293.0	1
2 Center piece with integrated U-foot	Width 10 mm	01.001.6353.0	50
3 End plate	Width 1 mm	07.310.9653.0	50

### TECHNICAL DATA

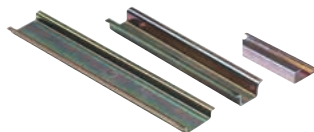
Housing material	PA 6 GU30	UL 94-HB
Foot material	PA 66	UL 94-V2
Housing dimensions W x H x D (mm)	variable x 80 x 33,5	
Printed circuit board dimensions W x H x D (mm)	min. 10 x 76,8, width expandable to 2	

## DIMENSIONS

wiebox WEB 1002 with U-foot



## Mounting rail



Description	Model	Art. No.	PU
Mounting rail 35, top hat rail H = 7.5 mm, L = 2 m	35 x 27 x 7.5 EN 50022	98.300.0000.0	1
Mounting rail 35, top hat rail H = 15 mm, L = 2 m	35 x 24 x 15 EN 50022	98.360.0000.0	1
Mounting rail 32, G-rail H = 15 mm, L = 2 m	9006 EN 50035 G-32	98.190.0000.0	1

## End bracket



Description	Model	Art. No.	PU
End terminal polyamide 8 mm wide TS 35	9708/2 S 35	Z5.522.8553.0	100
End terminal polyamide 10 mm wide U-foot	WE 1/U	Z5.523.5753.0	100
Screwless end terminal 8 mm wide TS 35	WEF 1/35	Z5.523.9353.0	100
Screwless end terminal 17.5 mm wide TS 35 with marking option	WEF 1 BS/35	69.920.1053.0	100
Screwless end terminal 8 mm wide TS 35 with marking option	WEF 1 BSS/35	69.920.1253.0	100

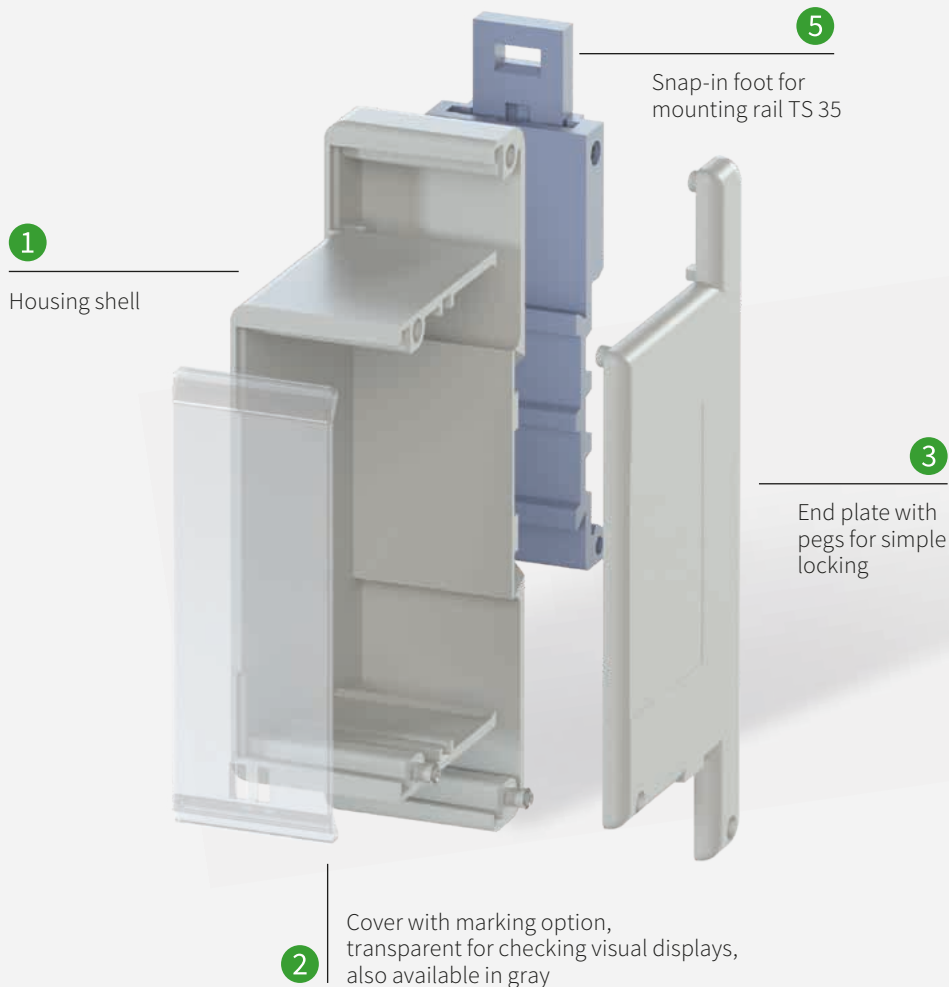
## Marking tag carrier

Description	Model	Art. No.	PU
Intermediate piece for marking tag carrier	9003 C/4	04.242.1050.0	200
Marking tag without marking	9003 C	04.241.0651.0	500
Marking tag with marking	9003 CB	04.841.0651.0	500



# WIEBOX WEB CLOSED VERSION MODULAR HOUSING SYSTEM.

Up to 9 housing configurations can be connected without the use of tools. Additionally, housing is also multi-level, according to the modular design principle. Mechanized soldering of printed circuit boards with connections and parts can be carried out independent of housing for added efficiency.



## FEATURES

- + Assembly of up to 9 housing configurations without tools
- + With U-foot suitable for G-rail and mounting rails TS 32/TS 35
- + Printed circuit board can be assembled and soldered independently of the housing
- + The closed design protects the electronic parts
- + Marking options on the housing
- + “No Flame” variants available



# WIEBOX WEB · CLOSED



## wiebox WEB 1



The empty housings are supplied un-mounted without printed circuit board.



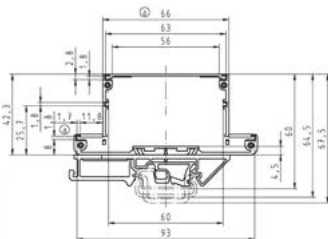
Description	Model	Art. No.	PU
<b>wiebox</b> WEB 1	Complete		
With U-foot, without printed circuit board		87.010.0053.0	10
With foot TS 35, without printed circuit board		86.010.0053.0	10
<b>wiebox</b> WEB 1	Single parts		
1 Housing shell		01.001.5153.0	50
2 Cover with marking option		04.312.0654.0	50
3 End plate		07.310.8553.0	50
4 Universal foot		05.583.0053.0	50
5 Foot TS 35		Z5.595.2153.0	50

### TECHNICAL DATA

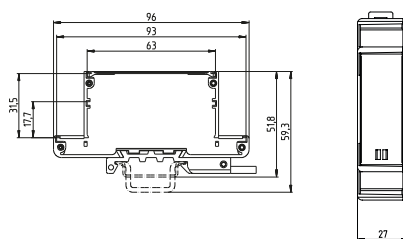
Housing material	PA 6	UL 94-HB
Foot material	PA 66	UL 94-V2
Panel material	PC	UL 94-HB
Housing dimensions W x H x D (mm)	27 x 42 x 96	
Printed circuit board dimensions W x H x D (mm)	93 x 22	

## DIMENSIONS

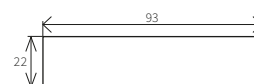
### wiebox WEB 1 with U-foot



### wiebox WEB 1 with foot TS35



### wiebox WEB 1 printed circuit board



## wiebox WEB 2



The empty housings are supplied un-mounted without printed circuit board.



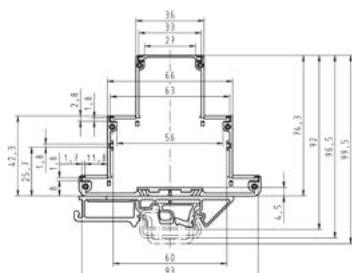
Description	Model	Art. No.	PU
<b>wiebox</b> WEB 2	Complete		
With U-foot, without printed circuit board		87.020.0053.0	10
With foot TS 35, without printed circuit board		86.020.0053.0	10
<b>wiebox</b> WEB 2	Single parts		
1 Housing shell		01.001.5053.0	50
2 Cover with marking option		04.312.0554.0	50
3 End plate		07.310.8453.0	50
4 Universal foot		05.583.0053.0	50
5 Foot TS 35		Z5.595.2153.0	50

### TECHNICAL DATA

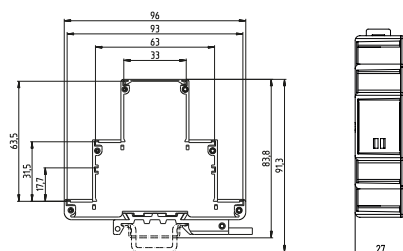
Housing material	PA 6	UL 94-HB
Foot material	PA 66	UL 94-V2
Panel material	PC	UL 94-HB
Housing dimensions W x H x D (mm)	27 x 74 x 96	
Printed circuit board dimensions W x H x D (mm)	Printed circuit board A 93 x 22, printed circuit board B 63 x 22	

## DIMENSIONS

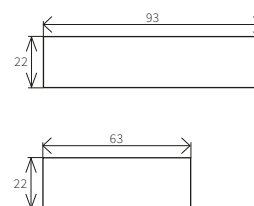
### wiebox WEB 2 with U-foot



### wiebox WEB 2 with foot TS35



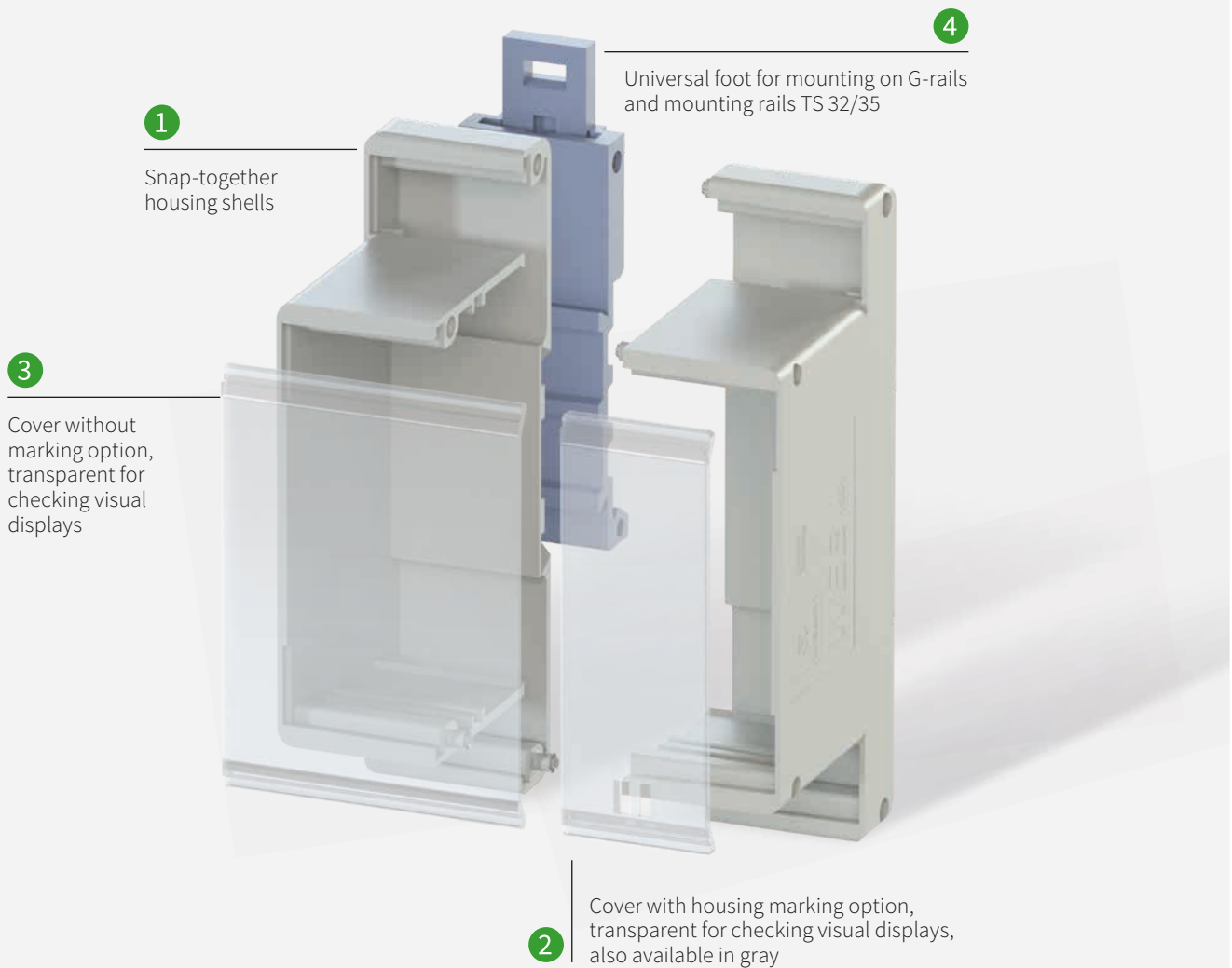
### wiebox WEB 2 printed circuit board





# WIEBOX WEB CLOSED VERSION MODULAR HOUSING SYSTEM.

Wider housing versions with divided transparent front cover. Housings can be modularly plugged together and individually assembled without using tools, also multi-level, according to the modular design principle. Mechanized soldering of the printed circuit boards with connections and parts can be carried out independent of housing for added efficiency.



## FEATURES

- + Create differing housing configurations without tools
- + With U-foot suitable for G-rail and mounting rails TS 32/TS 35
- + Printed circuit board can be assembled and soldered independently of the housing
- + The closed design protects the electronic parts
- + Marking options on the housing
- + “No Flame” variants available



# WIEBOX WEB · CLOSED



## wiebox WEB 3



The empty housings are supplied un-mounted without printed circuit board.

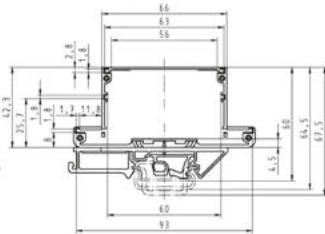
Description	Model	Art. No.	PU
<b>wiebox WEB 3</b>	Complete		
With U-foot, without printed circuit board		87.030.0053.0	10
With foot TS 35, without printed circuit board		86.030.0053.0	10
<b>wiebox WEB 3</b>	Single parts		
1 Housing shell	2X	01.001.5153.0	50
2 Cover with marking option	2x	04.312.0654.0	50
3 Cover without marking option	1X	04.312.3054.0	10
4 Universal foot		05.583.0053.0	50
5 Foot TS 35		Z5.595.2153.0	50

### TECHNICAL DATA

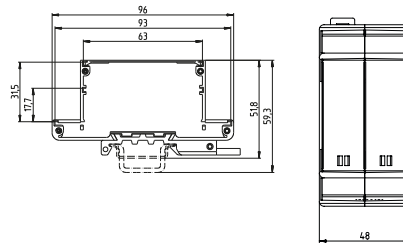
Housing material	PA 6	UL 94-HB
Foot material	PA 66	UL 94-V2
Panel material	PC	UL 94-HB
Housing dimensions W x H x D (mm)	48 x 42 x 96	
Printed circuit board dimensions W x H x D (mm)	93 x 45	

## DIMENSIONS

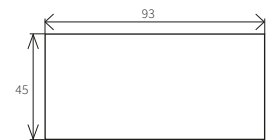
### wiebox WEB 3 with U-foot



### wiebox WEB 3 with foot TS35



### wiebox WEB 3 printed circuit board



## wiebox WEB 4



The empty housings are supplied un-mounted without printed circuit board.

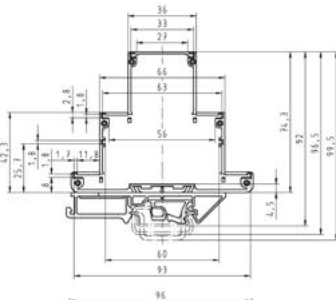
Description	Model	Art. No.	PU
<b>wiebox WEB 4</b>	Complete		
With U-foot, without printed circuit board		87.040.0053.0	10
With foot TS 35, without printed circuit board		86.040.0053.0	10
<b>wiebox WEB 4</b>	Single parts		
1 Housing shell	2X	01.001.5053.0	50
2 Cover with marking option	2X	04.312.0554.0	50
3 Cover without marking option	1x, alternative to Item 2	04.312.3354.0	50
4 Universal foot		05.583.0053.0	50
5 Foot TS 35		Z5.595.2153.0	50

### TECHNICAL DATA

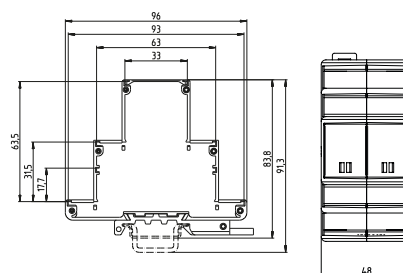
Housing material	PA 6	UL 94-HB
Foot material	PA 66	UL 94-V2
Panel material	PC	UL 94-HB
Housing dimensions W x H x D (mm)	48 x 74 x 96	
Printed circuit board dimensions W x H x D (mm)	Printed circuit board A 93 x 45, printed circuit board B 63 x 45	

## DIMENSIONS

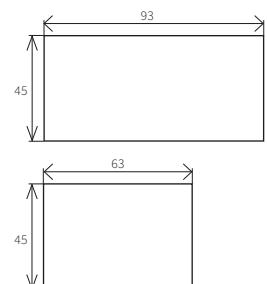
### wiebox WEB 4 with U-foot



### wiebox WEB 4 with foot TS35



### wiebox WEB 4 printed circuit board



Subject to technical modifications

# WIEBOX WEB · CLOSED



## wiebox WEB 6



The empty housings are supplied un-mounted without printed circuit board.



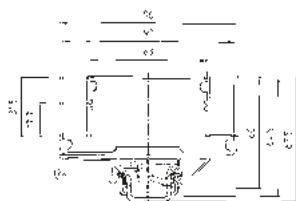
Description	Model	Art. No.	PU
<b>wiebox</b> WEB 6	Complete		
With U-foot, without printed circuit board		87.060.0053.0	10
With foot TS 35, without printed circuit board		Upon request	
<b>wiebox</b> WEB 6	Single parts		
1 Housing shell	1x	01.001.5153.0	50
1 Housing shell	1x	01.001.5453.0	50
2 Cover without marking option	1x	04.312.3154.0	50
4 Universal foot		05.583.0153.0	50

### TECHNICAL DATA

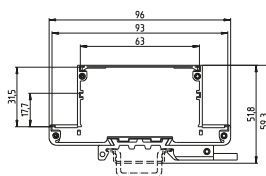
Housing material	PA 6	UL 94-HB
Foot material	PA 66	UL 94-V2
Panel material	PC	UL 94-HB
Housing dimensions W x H x D (mm)	70.5 x 42 x 96	
Printed circuit board dimensions W x H x D (mm)	93 x 67	

## DIMENSIONS

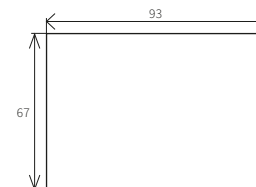
### wiebox WEB 6 with U-foot



### wiebox WEB 6 with foot TS35



### wiebox WEB 6 printed circuit board



## wiebox WEB 7



The empty housings are supplied un-mounted without printed circuit board.



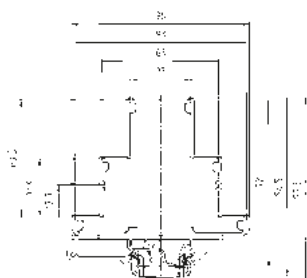
Description	Model	Art. No.	PU
<b>wiebox</b> WEB 7	Complete		
With U-foot, without printed circuit board		87.070.0053.0	10
With foot TS 35, without printed circuit board		Upon request	
<b>wiebox</b> WEB 7	Single parts		
1 Housing shell	1x	01.001.5353.0	50
1 Housing shell	1x	01.001.5053.0	50
2 Cover without marking option	1x	04.312.3454.0	50
4 Universal foot		05.583.0153.0	50

### TECHNICAL DATA

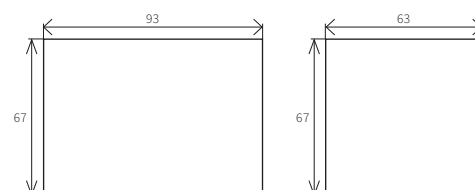
Housing material	PA 6	UL 94-HB
Foot material	PA 66	UL 94-V2
Panel material	PC	UL 94-HB
Housing dimensions W x H x D (mm)	70.5 x 74 x 96	
Printed circuit board dimensions W x H x D (mm)	Printed circuit board A 93 x 67, printed circuit board B 63 x 67	

## DIMENSIONS

### wiebox WEB 7 with U-foot



### wiebox WEB 7 printed circuit board





# WIEBOX WEB · CLOSED



## wiebox WEB 8



The empty housings are supplied un-mounted without printed circuit board.



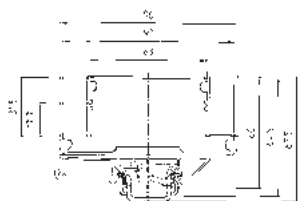
Description	Model	Art. No.	PU
<b>wiebox</b> WEB 8	Complete		
With U-foot, without printed circuit board		87.080.0053.0	10
With foot TS 35, without printed circuit board		Upon request	
<b>wiebox</b> WEB 8	Single parts		
① Housing shell	1x	01.001.5453.0	50
① Housing shell	1x	01.001.5453.0	50
② Cover without marking option	1x	04.312.3254.0	50
④ Universal foot		05.583.0153.0	50

### TECHNICAL DATA

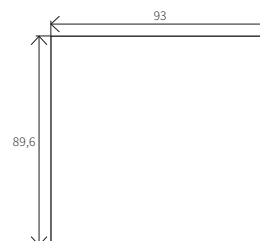
Housing material	PA 6	UL 94-HB
Foot material	PA 66	UL 94-V2
Panel material	PC	UL 94-HB
Housing dimensions W x H x D (mm)	93 x 42 x 96	
Printed circuit board dimensions W x H x D (mm)	93 x 89.6	

## DIMENSIONS

### wiebox WEB 8 with U-foot



### wiebox WEB 8 printed circuit board



## wiebox WEB 9



The empty housings are supplied un-mounted without printed circuit board.



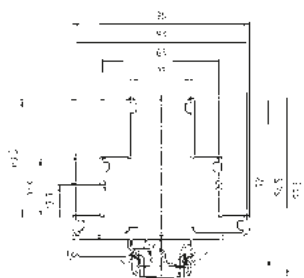
Description	Model	Art. No.	PU
<b>wiebox</b> WEB 9	Complete		
With U-foot, without printed circuit board		87.090.0053.0	10
With foot TS 35, without printed circuit board		Upon request	
<b>wiebox</b> WEB 9	Single parts		
① Housing shell	1x	01.001.5353.0	50
① Housing shell	1x	01.001.5353.0	50
② Cover	1x	04.312.3554.0	50
④ Universal foot		05.583.0153.0	50

### TECHNICAL DATA

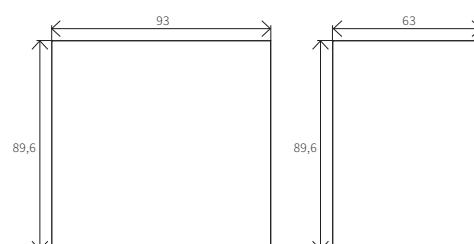
Housing material	PA 6	UL 94-HB
Foot material	PA 66	UL 94-V2
Panel material	PC	UL 94-HB
Housing dimensions W x H x D (mm)	93 x 74 x 96	
Printed circuit board dimensions W x H x D (mm)	Printed circuit board A 93 x 89.6, printed circuit board B 63 x 89.6	

## DIMENSIONS

### wiebox WEB 9 with U-foot

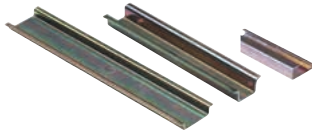


### wiebox WEB 9 printed circuit board



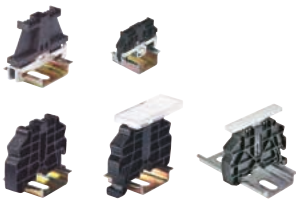


## Mounting rail



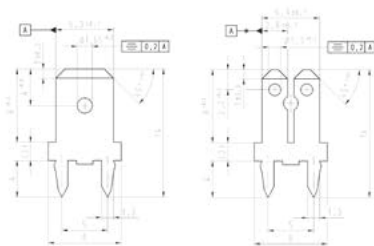
Description	Model	Art. No.	PU
Mounting rail 35, top hat rail H = 7.5 mm, L = 2 m	35 x 27 x 7.5 EN 50022	98.300.0000.0	1
Mounting rail 35, top hat rail H = 15 mm, L = 2 m	35 x 24 x 15 EN 50022	98.360.0000.0	1
Mounting rail 32, G-rail H = 15 mm, L = 2 m	9006 EN 50035 G-32	98.190.0000.0	1

## End bracket



Description	Model	Art. No.	PU
End terminal polyamide 8 mm wide TS 35	9708/2 S 35	Z5.522.8553.0	100
End terminal polyamide 10 mm wide U-foot	WE 1/U	Z5.523.5753.0	100
Screwless end terminal 8 mm wide TS 35	WEF 1/35	Z5.523.9353.0	100
Screwless end bracket 17.5 mm wide TS 35 with marking option	WEF 1 BS/35	69.920.1053.0	100
Screwless end bracket 8 mm wide TS 35 with marking option	WEF 1 BSS/35	69.920.1253.0	100

## Blade terminal



Description	Model	Art. No.	PU
Blade terminal	6.3 mm, straight	05.555.8521.0	50
Blade terminal	6.3 mm, angled	05.555.8721.0	50
Blade terminal	2 x 2.8 mm, straight	05.555.9121.0	50
Blade terminal	2 x 2.8 mm, angled	05.555.8921.0	50
Blade terminal	2.8 mm, straight	05.555.8621.0	50
Blade terminal	2.8 mm, angled	05.555.8821.0	50

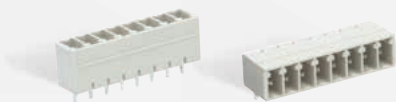
## Marking tag carrier

Description	Model	Art. No.	PU
Intermediate piece for marking tag carrier	9003 C/4	04.242.1050.0	200
Marking tag without marking	9003 C	04.241.0651.0	500
Marking tag with marking	9003 CB	04.841.0651.0	500

# CONNECTION TECHNOLOGY FOR WEB HOUSING SYSTEM.

We also offer the connection technology suitable for your project. Throughout our catalog and overview brochure, you will find suitable printed circuit board terminals and plug connectors for pitches from 2.5 mm to 10.16 mm.

## PITCH 3.5 mm



Printed circuit board connector



1.5 mm<sup>2</sup> connectors

## PITCH 3.5 mm



PCB terminals



## PITCH 5 mm



Pluggable PCB terminals



Pin Header

## THE BENEFITS FOR YOU

- + Sample express delivery in 48 h within Europe
- + Various connection technologies in crimp, screw and push-in connection



## INFO TO GO.

For more detailed information on the connection technology we recommend:



### WIECON® CATALOG

PCB terminals and plug connectors

Art.No. 0550.1



### WIECON® OVERVIEW

PCB terminals and plug connectors

Art.No. 0580.1





## Marking tag strips pitch size 10 mm



Description	Model	Art. No.	PU
<b>Marking tag strips pitch size 10 mm</b>			
for 5 marked terminals (every 2nd tag)	9705 A/5/10/5 B	04.842.5553.0	25
without marking	9705 A/5/10	04.242.5053.0	25
with marking <sup>*)</sup>	9705 A/5/10 B	04.842.5053.0	25
with enlarged marking area	9705 AL/5/10	04.242.5153.0	25

TECHNICAL DATA	
Material	PA 66/6
Color	Black numbers on white background
<b>Packaging unit</b>	<b>25 strips = 250 tags</b>

<sup>\*)</sup> required marking to be provided in addition to order number

## Marking tag strips pitch size 5 mm



Description	Model	Art. No.	PU
<b>Marking tag strips pitch size 5 mm</b>			
Marking on strip 1 ... 9	9705 A/5/9 B	04.842.4953.0	25

TECHNICAL DATA	
Material	PA 66/6
Color	Black numbers on white background
<b>Packaging unit</b>	<b>25 strips = 225 tags</b>

## Marking tag 3-digits



Description	Model	Art. No.	PU
<b>Marking tag 3-digits</b>			
without marking	9705 A	04.242.0850.0	500
with marking <sup>*)</sup>	9705 AB	04.842.0850.0	500

TECHNICAL DATA	
Material	PA 66/6
Color	Black numbers on white background
<b>Packaging unit</b>	<b>500 tags</b>

<sup>\*)</sup> required marking to be provided in addition to order number

## Marking tag 8-digits



Description	Model	Art. No.	PU
<b>Marking tag 8-digits</b>			
without marking	9705 AL	04.242.1553.0	500
with marking <sup>*)</sup>	9705 ALB	04.842.1553.0	500

TECHNICAL DATA	
Material	PA 66/6
Color	Black numbers on white background
<b>Packaging unit</b>	<b>500 tags</b>

<sup>\*)</sup> required marking to be provided in addition to order number

## Marking tag carrier for WEB empty housing

Description	Model	Art. No.	PU
Marking tag carrier for WEB empty housing	Intermediate piece	04.242.1050.0	200

TECHNICAL DATA	
Material	PA 66/6



## Marking tab pitch with 10 marking tags



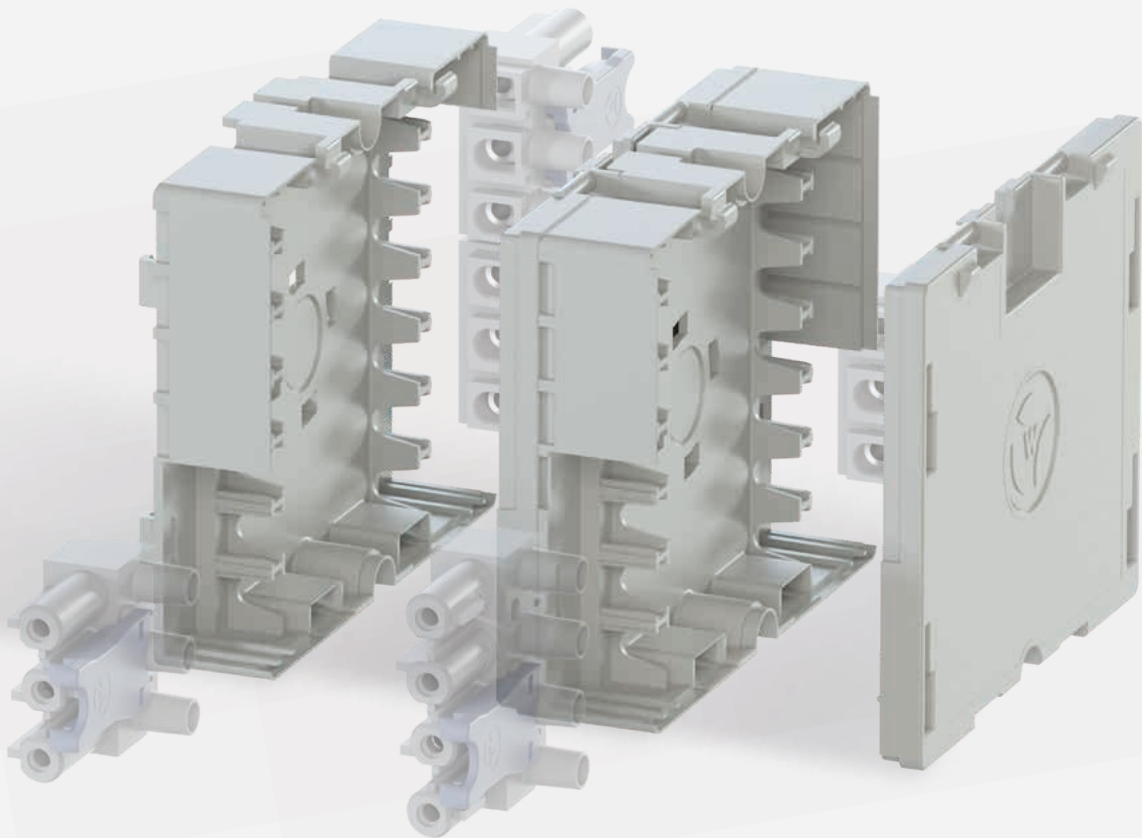
Description	Model	Art. No.	PU
<b>Marking tag pitch with 10 marking tags</b>			
without marking	9704 A	04.241.1150.0	25
<b>with constant number marking</b>			
1 1 1 1 1 1 1 1 1 1	9704 A/1 B	04.841.1150.0	25
2 2 2 2 2 2 2 2 2 2	9704 A/2 B	04.841.1250.0	25
3 3 3 3 3 3 3 3 3 3	9704 A/3 B	04.841.1350.0	25
4 4 4 4 4 4 4 4 4 4	9704 A/4 B	04.841.1450.0	25
5 5 5 5 5 5 5 5 5 5	9704 A/5 B	04.841.1550.0	25
6 6 6 6 6 6 6 6 6 6	9704 A/6 B	04.841.1650.0	25
7 7 7 7 7 7 7 7 7 7	9704 A/7 B	04.841.1750.0	25
8 8 8 8 8 8 8 8 8 8	9704 A/8 B	04.841.1850.0	25
9 9 9 9 9 9 9 9 9 9	9704 A/9 B	04.841.1950.0	25
0 0 0 0 0 0 0 0 0 0	9704 A/0 B	04.841.2050.0	25
<b>with constant number marking</b>			
1 2 3 4 5 6 7 8 9 0	9704 A/1-0 B	04.841.2150.0	25
<b>with constant upper case letter marking</b>			
A A A A A A A A A A	9704 A/AG B	04.841.2250.0	25
B B B B B B B B B B	9704 A/BG B	04.841.2350.0	25
C C C C C C C C C C	9704 A/CG B	04.841.2450.0	25
D D D D D D D D D D	9704 A/DG B	04.841.2550.0	25
E E E E E E E E E E	9704 A/EG B	04.841.2650.0	25
F F F F F F F F F F	9704 A/FG B	04.841.2750.0	25
G G G G G G G G G G	9704 A/GG B	04.841.2850.0	25
H H H H H H H H H H	9704 A/HG B	04.841.2950.0	25
I I I I I I I I I I	9704 A/IG B	04.841.3050.0	25
J J J J J J J J J J	9704 A/JG B	04.841.3150.0	25
K K K K K K K K K K	9704 A/KG B	04.841.3250.0	25
L L L L L L L L L L	9704 A/LG B	04.841.3350.0	25
M M M M M M M M M M	9704 A/MG B	04.841.3450.0	25
N N N N N N N N N N	9704 A/NG B	04.841.3550.0	25
O O O O O O O O O O	9704 A/OG B	04.841.3650.0	25
P P P P P P P P P P	9704 A/PG B	04.841.3750.0	25
Q Q Q Q Q Q Q Q Q Q	9704 A/QG B	04.841.3850.0	25
R R R R R R R R R R	9704 A/RG B	04.841.3950.0	25
S S S S S S S S S S	9704 A/SG B	04.841.4050.0	25
T T T T T T T T T T	9704 A/TG B	04.841.4150.0	25
U U U U U U U U U U	9704 A/UG B	04.841.4250.0	25
V V V V V V V V V V	9704 A/VG B	04.841.4350.0	25
W W W W W W W W W W	9704 A/WG B	04.841.4450.0	25
X X X X X X X X X X	9704 A/XG B	04.841.4550.0	25
Y Y Y Y Y Y Y Y Y Y	9704 A/YG B	04.841.4650.0	25
Z Z Z Z Z Z Z Z Z Z	9704 A/ZG B	04.841.4750.0	25
<b>with constant lower case letter marking</b>			
a a a a a a a a a a	9704 A/AK B	04.841.4850.0	25
b b b b b b b b b b	9704 A/BK B	04.841.4950.0	25
c c c c c c c c c c	9704 A/CK B	04.841.5050.0	25
d d d d d d d d d d	9704 A/DK B	04.841.5150.0	25
e e e e e e e e e e	9704 A/EK B	04.841.5250.0	25
f f f f f f f f f f	9704 A/FK B	04.841.5350.0	25
g g g g g g g g g g	9704 A/GK B	04.841.5450.0	25
h h h h h h h h h h	9704 A/HK B	04.841.5550.0	25
i i i i i i i i i i	9704 A/IK B	04.841.5650.0	25
j j j j j j j j j j	9704 A/JK B	04.841.5750.0	25
k k k k k k k k k k	9704 A/KK B	04.841.5850.0	25
l l l l l l l l l l	9704 A/LK B	04.841.5950.0	25
m m m m m m m m m m	9704 A/MK B	04.841.6050.0	25
n n n n n n n n n n	9704 A/NK B	04.841.6150.0	25
o o o o o o o o o o	9704 A/OK B	04.841.6250.0	25
p p p p p p p p p p	9704 A/PK B	04.841.6350.0	25
q q q q q q q q q q	9704 A/QK B	04.841.6450.0	25
r r r r r r r r r r	9704 A/RK B	04.841.6550.0	25
s s s s s s s s s s	9704 A/SK B	04.841.6650.0	25
t t t t t t t t t t	9704 A/TK B	04.841.6750.0	25
u u u u u u u u u u	9704 A/UK B	04.841.6850.0	25
v v v v v v v v v v	9704 A/VK B	04.841.6950.0	25
w w w w w w w w w w	9704 A/WK B	04.841.7050.0	25
x x x x x x x x x x	9704 A/XK B	04.841.7150.0	25
y y y y y y y y y y	9704 A/YK B	04.841.7250.0	25
z z z z z z z z z z	9704 A/ZK B	04.841.7350.0	25
<b>with constant character marking</b>			
+ + + + + + + + + +	9704 A/+ B	04.841.7450.0	25
- - - - - - - - - -	9704 A/- B	04.841.7550.0	25
/ / / / / / / / / /	9704 A// B	04.841.7650.0	25
. . . . . . . . . .	9704 A/. B	04.841.7750.0	25
1 sentence with constant digits = 10 x 25 branches = 2500 digits	111 to 000	04.841.9050.0	1
1 sentence UC letters = 26 x 25 branches = 6500 letters	A to Z UC	04.841.9150.0	1
1 sentence LC letters = 26 x 25 branches = 6500 letters	A to Z LC	04.841.9250.0	1



# GST18<sup>®</sup>

## FLEXIBLE DISTRIBUTION BOX.

Wieland distribution boxes GST<sup>®</sup>, enable you to create flexible, pluggable wiring solutions for your periphery devices in no time, while saving time and money on installations by using pre-assembled cables.



### FEATURES

- + Freely configurable as side panels break out
- + Plug-in system with strain relief for differing cable diameters
- + Colored and physical coding prevents incorrect connections
- + Fulfills the requirements of fixed installations



# GST18® · DISTRIBUTION BOX



## GST18® DISTRIBUTION BOX



### Description

Empty housing with 4 locks for GST18®

### Art. No.

99.508.0028.0

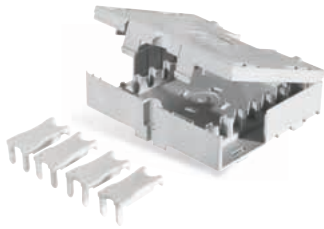
### PU

1

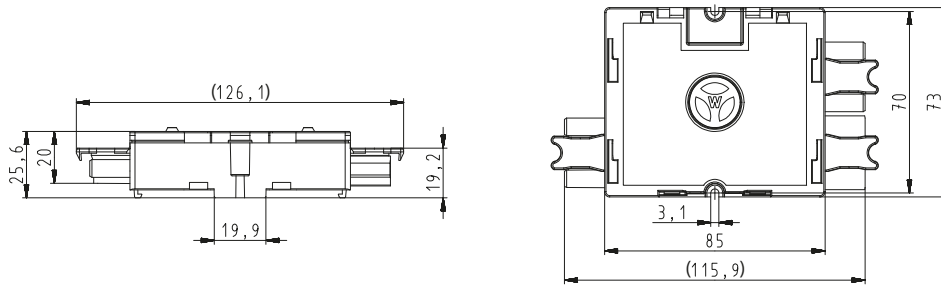
### TECHNICAL DATA

Housing material	PA 6	UL 94-V2
Housing dimensions W x H x D (mm)	85 x 73 x 25.6 mm	
Color	Light gray RAL 7035	

These housings are also suitable for multi-level distribution solutions.  
Pre-wired connections available on request.  
Position up to 7 pins per side.



## DIMENSIONS



# GST18® · BLACKBOX + WHITEBOX



## GST18® BLACKBOX



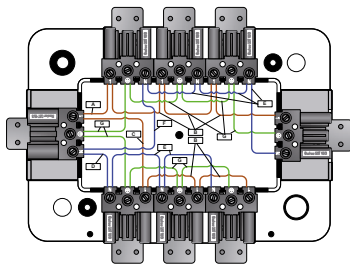
Description	Art. No.	PU
GST18® BLACKBOX 3-pin network distributor, 1 IN, 7 OUT	99.238.0028.0	1
GST18® BLACKBOX 5-pin phase distributor, 1 IN, 7 OUT	99.237.0028.0	1
GST18® BLACKBOX 3-pin network distributor, 2 IN, 6 OUT	99.202.0028.0	1

TECHNICAL DATA		
Housing material	ABS	UL 94-V0
Housing dimensions W x H x D (mm)	171 x 120 x 30.5	

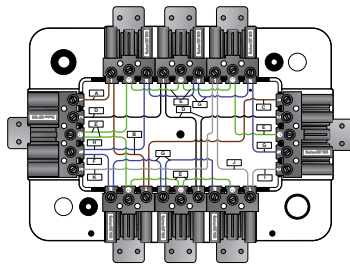
The part numbers stated are just a selection.  
Other configurations can be found in the gesis® 0670.0 main catalog.  
Pre-wired connections available on request.

## WIRING

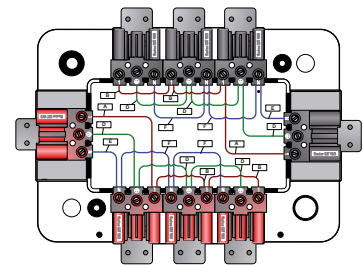
GST18® 3-pin network distributor, 1 IN, 7 OUT



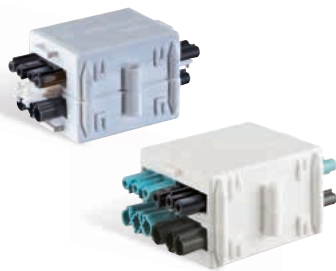
GST18® 5-pin phase distributor, 1 IN, 7 OUT



GST18® 3-pin network distributor, 2 IN, 6 OUT



## GST18® WHITEBOX

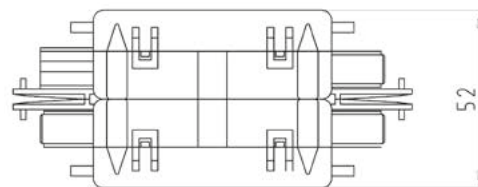
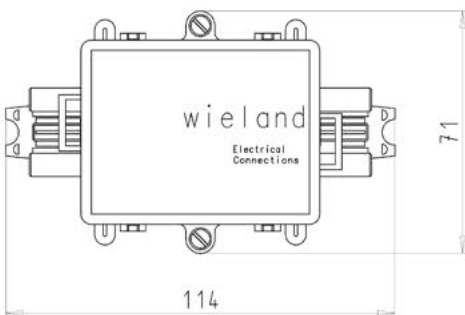


Description	Model	Art. No.	PU
H-distributor black/pastel blue	GST® 18i6	G1.966.0000.7	1
H-distributor black	GST® 18i4	99.502.0028.0	1

TECHNICAL DATA		
Housing material	PA	UL 94-V2
Housing dimensions W x H x D (mm)	70 x 54 x 53.5	

The part numbers stated are just a selection.  
Other configurations can be found in the gesis® 0670.0 main catalog.  
Pre-wired connections available on request.

## DIMENSIONS







## Built-in parts GST18®

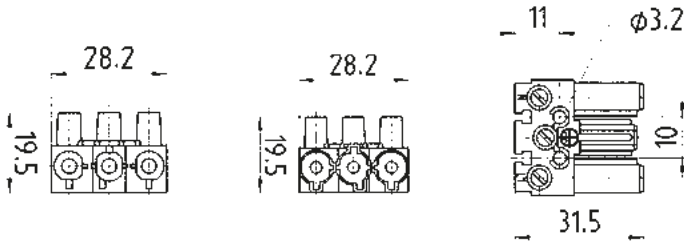


Description	Pole marking	Art. No.	Art. No.	PU
		Female	Male	
Built-in part, 3-pin, black	L, N, PE	92.031.3258.1	92.032.3358.1	1
Built-in part, 4-pin, black	2, N, PE, 1	92.041.3253.1	92.042.3353.1	1
Built-in part, 5-pin, black	3, N, PE, 2, 1	92.051.3253.1	92.052.3353.1	1

TECHNICAL DATA	
Rated voltage	250 V
Rated current	20 A
Rated impulse voltage	4 kV
Degree of protection (IP)	IP20
Wire strip length	7 mm +-1
Interlockable	Yes
Connection cross section stranded	0.75-4 mm <sup>2</sup> without wire end
Connection cross section solid	0.75-4 mm <sup>2</sup>
Housing material	Polyamide

## DIMENSIONS

GST18® Female/male



### The following colors/coding are available (depending on no. of pins):

white, pebble gray, tomato red, pastel blue, light blue, pea green and turquoise, sealing wax red, brown

Note that the built-in parts only have one connection per pin. To insert two wires, they must be prepared accordingly.

The assembler is responsible for compliance with the maximum intrinsic heating to EN61535. All our pre-assembled boxes have been tested for this.

Note that all colors have their own mechanical coding and only mating plugs in the same color can be connected. Exceptions are black/white and pebble gray/tomato red.

To make full use of the plug-in connectors, we recommend using pre-assembled cables to connect boxes, periphery devices and other components.

Further details can be obtained from our gesis® 0670.0 main catalog.

# DOMESTIC APPLIANCES **STANDARD.**

For the safety of electrical products for domestic use and industrial purposes.

## **DIN EN/IEC 60335-1**

This standard standardizes the safety of electrical appliances for household use and commercial purposes, the rated voltage of which does not exceed 250 V for single-phase appliances and 480 V for other appliances. In chapter 30: "Heat and fire resistance," the topic is discussed in more detail. Affected are parts of non-metallic materials, which keep active parts (e.g. connection elements) in their position. These must be resistant to ignition and the spread of fire. These fire resistance requirements should prevent unattended devices from igniting themselves. On the market, this designation is called "No Flame." It applies for manufacturers of electric and electronic household components as well as for appliances in medium-sized operations.



## **KITCHEN APPLIANCES**

- ▶ Dishwashers
- ▶ Ranges, stovetops, ovens
- ▶ Food processors

## **HOME & GARDEN**

- ▶ Hot water boilers and hot water cylinders
- ▶ Gas, oil and solid fuel appliances with electrical connections

## **OTHER HOUSEHOLD CONNECTIONS**

- ▶ Dryers
- ▶ Room heaters, such as radiant heaters, electric stoves
- ▶ Electrically-operated heat pumps, air conditioners and room air dehumidifiers

## **APPLIANCES USED OUTDOORS**

- ▶ Pumps
- ▶ Electric product dispensing machines such as beverage, food and ticket vending machines
- ▶ Industry & trade
- ▶ Circulation pumps for heating and process water systems

## **GENERAL**

- ▶ Thermal storage heaters
- ▶ Air cleaning or air handling products, humidifiers
- ▶ Fans



# DATA + FACTS ON **NO FLAME**.

We are an experienced, expert partner for pluggable electronic installations and connection technology. Service to the customer and the quality of our products are core elements of our organizational philosophy. **As a company with a strong sense of responsibility, we see it as an obligation to our customers to point out the following:**

Our connection systems and terminal blocks ensure **simple, fast and safe** installation. They are type-tested and certified according to the standards

**IEC 61535,**  
**IEC 61984**  
**IEC 60947-7...**  
**DIN EN 60998**  
**DIN EN 60999**

and according to the current status of the standards. This pertains to the classical pluggable electrical installation just as much as to the use as connection components in machines and other electrical devices.

For the use of connectors in operating equipment subject to **DIN EN 60335-1** ("Safety of household and similar electrical appliances"), Section 30, "Heat and fire resistance", must be referred to for evaluation of fire hazards. Especially for components used in appliances which are operated unattended and conduct a current of >0.2 amperes during normal operation, according to Section 30.2.3 of this standard, there are more stringent conditions within the range of 3 millimeters around the live electrical parts.

Many of the parts in our catalog fulfill these requirements, either through the use of materials of **fire class V-0 or V-1**, or by verification of **needle-flame testing according to IEC 60695-11-5**.

If there are additional, non-metallic materials within a defined cylindrical surrounding of 20 mm diameter and 50 mm height from the live connections, these components must also fulfill the above criteria. We would be happy to assist you with selection of the suitable catalog product.

As an alternative, we offer our customers a specific order number-group for ordering "No Flame" products. This is not a release from the obligation of the standard, to evaluate the surroundings within a distance of 3 mm to the support of live parts.

## **AN EXAMPLE OF A PRINTED CIRCUIT BOARD PLUG CONNECTOR**

**Standard part number**  
25.320.045**3.2**

**No Flame part number**  
25.320.045**7.2**

For this purpose, we employ special plastics which have successfully undergone a glow wire test, either as test plates according to GWIT (Glow Wire Ignition Temperature) or as the component itself regarding GWT (Glow Wire Test). Corresponding VDE verification is available.

**Please note that not all colors of the standard product are available as "No Flame" material and in individual cases, color deviations may occur.**

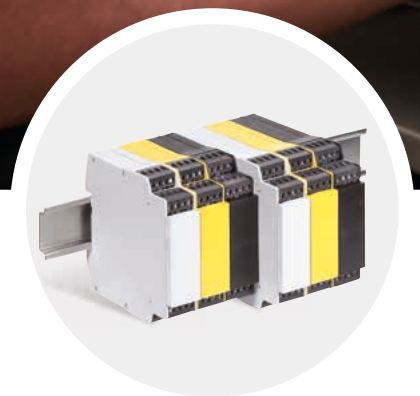
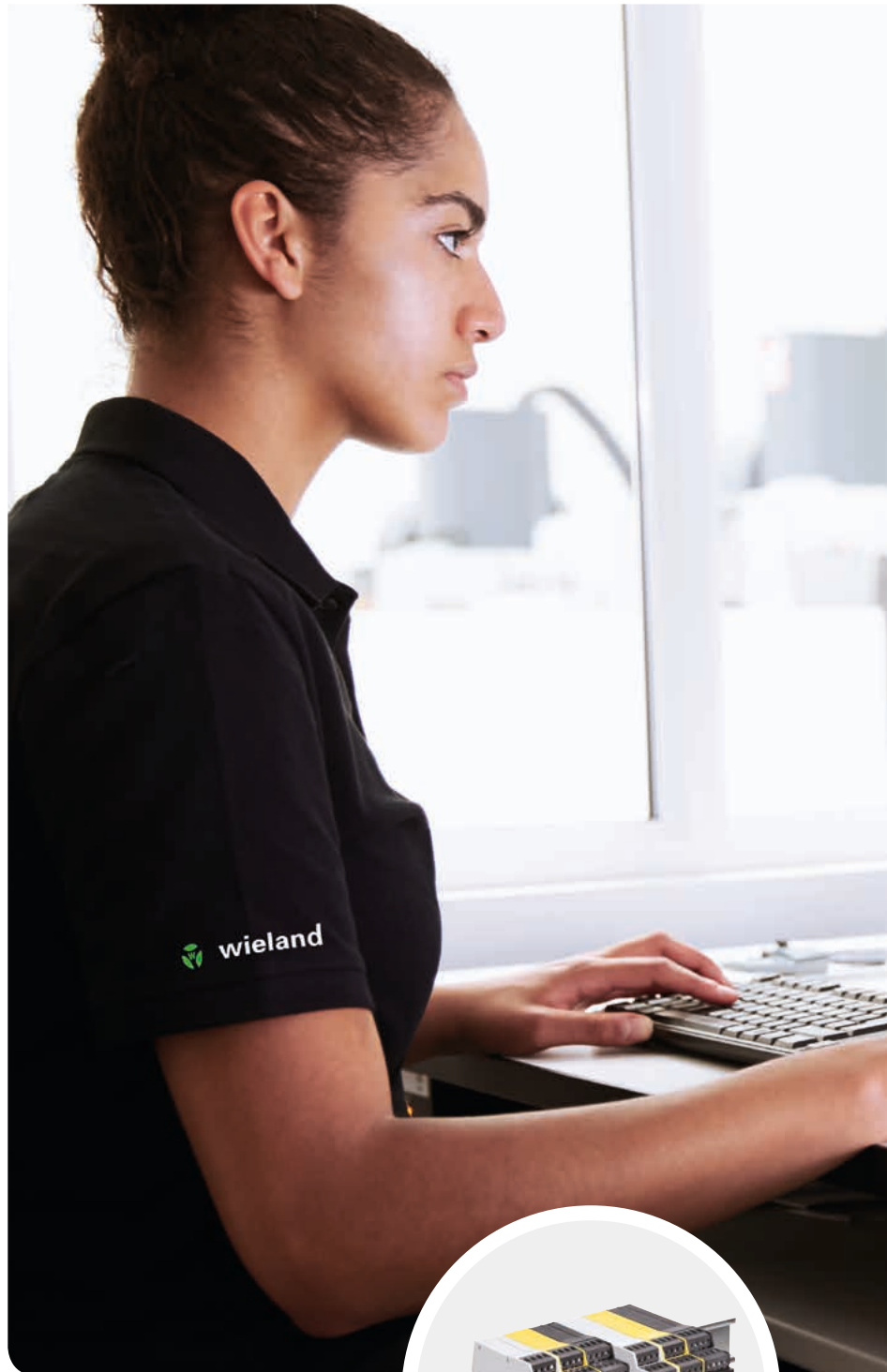


# CUSTOMER SPECIFIC SOLUTIONS.

## Customized solutions for your requirements!

Is your organization in need of a tailored individual solution while saving time and keeping costs low through optimized production processes or assemblies?

We pool our knowledge from development and production across multiple teams and always answer your questions of "How" with the appropriate customized answer.



### THE BENEFITS TO YOU

- ▶ **Customized solutions for your individual housings**
- ▶ **Personal support: Only one point of contact throughout the entire project phase**
- ▶ **Prepared with highly-flexible solutions for every application**

### DIFFERENT COLOR VARIANTS

We can custom produce electronic housings in a wide range of colors, including color combinations. For an enhanced effect, your company colors work best!



### **MECHANICAL PROCESSING**

---

We will also be happy to create additional added value for you by processing your housings using CNC machines, creating accurately-fitting stenciled cut-outs or break-outs.



### **PRINTING + MARKING**

---

On request, we print or mark entire housings or only housing parts. Various print methods or laser marking are also available.



### **TOOL MODIFICATIONS**

---

For large quantities, we can modify our injection molding tools to suit your needs and integrate the modification into our master tool.



# OUR SERVICES + SERVICING PACKAGES.

With an extensive range of services and servicing packages, Wieland Electric is your highly dependable, industry-leading partner, assisting customers worldwide with the conception, planning, and implementation of new products.

## WE ARE WITH YOU ALL THE WAY

- From the first idea through to technical development
- From housing diagram to assembly concept
- From color variants, printing to special packaging
- Laser marking for varying content such as serial numbers
- Personal support during the entire project phase

## OUR SERVICES

- + DEVELOPMENT
- + QUALIFICATION
- + CERTIFICATION
- + PROTOTYPES



## DO YOU NEED A SPECIAL HOUSING SOLUTION?

As a long-standing specialist for manufacturing electronic housings and with considerable experience with printed circuit board terminals, we support customer projects as

early as the planning phase. Our experts involve all construction and technical requirements for the conceptualization and the later production processes.

Get in touch with us and our experienced specialists will explain the important details to you in an initial discussion.

# YOUR CONTACT PARTNERS.



## TECHNICAL ADVICE

### WIEBOX HOUSINGS

Phone: **+49 951 9324 991**

E-mail: **AT.TS@wieland-electric.com**

### GST® HOUSINGS

Phone: **+49 951 9324 996**

E-mail: **BIT.TS@wieland-electric.com**



## INFO TO GO.

### OUR WIELAND BROCHURE SERVICE

To simplify your work, we keep all our product catalogs and sector brochures available for download on our website in the Download area.

<https://www.wieland-electric.com/en/download>

For more detailed information we recommend:



#### WIECON® OVERVIEW

PCB terminals and plug connectors.

Art.No. 0580.1



#### WIECON® CATALOG

PCB terminals and plug connectors.

Art.No. 0550.1



#### GESIS® CATALOG

Pluggable electrical installation for indoors.

Art.No. 0670.1



#### SAFETY CATALOG

Safe system solutions for automation technology.

Art.No. 0860.1



#### TERMINAL BLOCK CATALOG

Terminal blocks with screw, tension spring or push-in connections.

Art.No. 0500.1





# wieland

## HEADQUARTERS

Wieland Electric GmbH  
Brennerstraße 10 – 14  
96052 Bamberg · Germany

---

Phone +49 951 9324-0  
Fax +49 951 9324-198  
[info@wieland-electric.com](mailto:info@wieland-electric.com)

0850.1 S 02/19

Represented in over 70 countries worldwide:

[www.wieland-electric.com](http://www.wieland-electric.com)