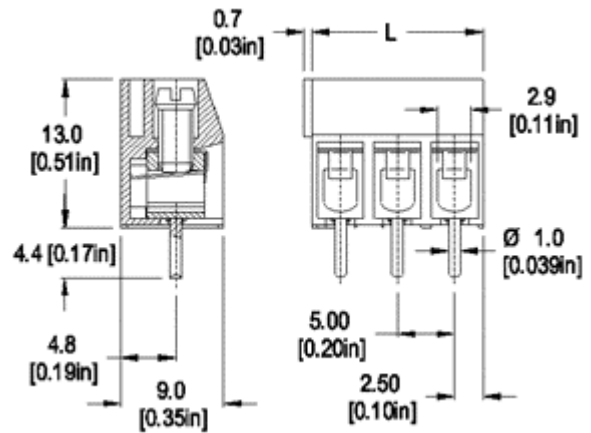
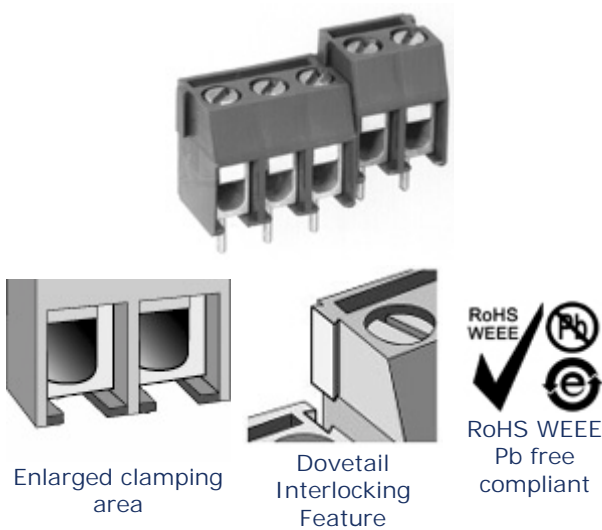




Screw Connectors for Printed Circuit Boards

TYPE 978-T (-DS)

5 mm spacing - 2 and 3 poles



Dimensions: mm (in.)

Length of Connector (L)
 $L = \text{No. of Poles} \times \text{Center to Center Spacing}$

When locating connector, allow 0.5 mm clearance around it for process-induced variations.

Description

- Dovetail version
- Wire entrance parallel to PC Board
- Enlarged clamping area
- Can be factory, field or distributor assembled to almost any length

Technical Data

Center to Center Spacing: 5 mm (0.197 in.)

Nominal Cross Section:
 4 mm² (6199 mils²)

Wire Stripping Length: 6.5 mm (0.26 in.)

Recommended Hole Diameter in PC Board:
 1.3 mm (0.051 in.)

Approval Information

UL File No. E69841
 CSA File No. LR24322

Rating	Current(A)	Voltage(V)	Application group	AWG
UL	20	300	B,D	26-12
CSA	20	300	B,D,E	22-10

* Version DS is CSA certified for 26-10 AWG.
 UL: 24-26 AWG range for factory wiring only.

Screw Tightening Torque:

UL: 4.5 lbf·in
 CSA: 0.51 Nm

International Approvals:



Rated Impulse Withstand Voltage: 2500 V

