

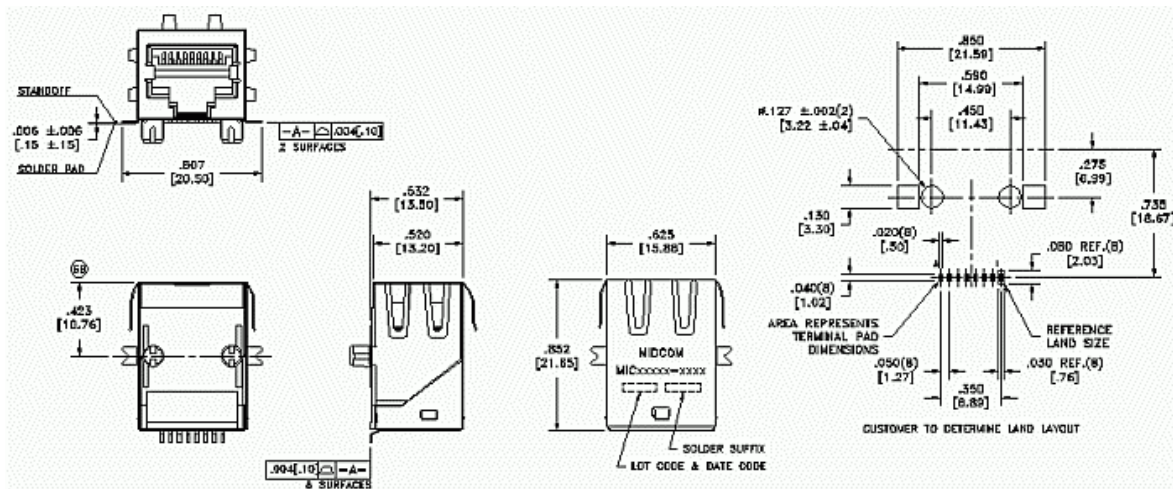


**Integrated RJ45
Surface Mount & Low Profile**

Midcom

LANDatacom

Part Number	LED	Tabs	EMI Fingers	Auto MDIX	Temp Range	RoHS	Mechanical	Schematic
MIC24020-5101W-LF3	NONE	DOWN	YES	YES	STR	YES	1	2
MIC24120-5101R-LF3	NONE	UP	YES	YES	STR	YES	5	2
MIC24120-5101W-LF3	NONE	UP	YES	YES	STR	YES	5	2
MIC24120-5301W-LF3	NONE	UP	YES	YES	STR	YES	2	1
MIC24121-5101W-LF3	L-Y R-G	UP	YES	YES	STR	YES	6	2
MIC24121-5301W-LF3	L-Y R-G	UP	YES	YES	STR	YES	3	1
MIC24121-5308W-LF3	L-Y R-G	UP	YES	YES	ETR	YES	3	1
MIC24122-5101W-LF3	L-G R-G	UP	YES	YES	STR	YES	6	2
MIC2412A-5108W-LF3	L-G R-GY	UP	YES	YES	ETR	YES	6	2
MIC24220-5101W-LF3	NONE	DOWN	NO	YES	STR	YES	4	2
MIC25020-5110W-LF3	NONE	DOWN	YES	NO	STR	YES	7	3
MIC26023-5134W-LF3	L-G R-Y	DOWN	YES	YES	STR	YES	8	4
MIC38121-5154W-LF3	L-Y R-G	UP	YES	NO	STR	YES	9	5

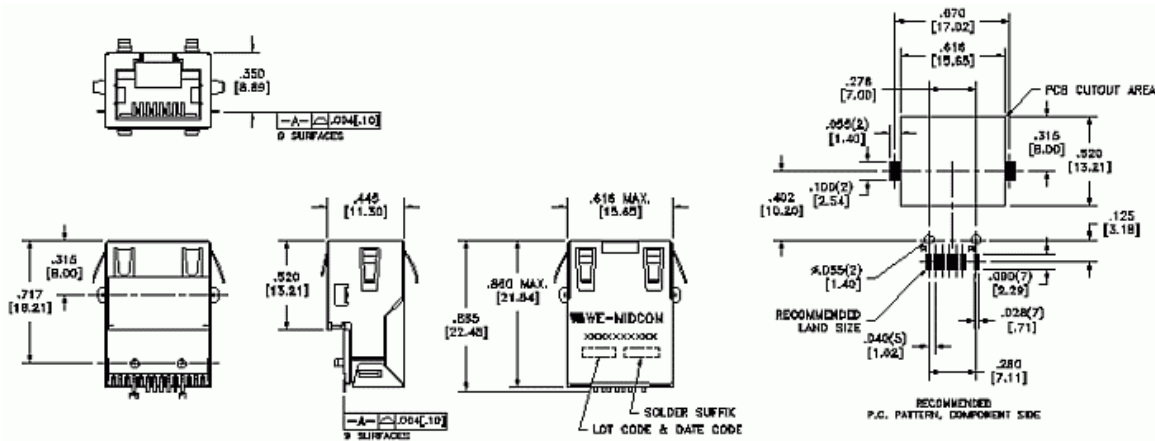


Mechanical 1

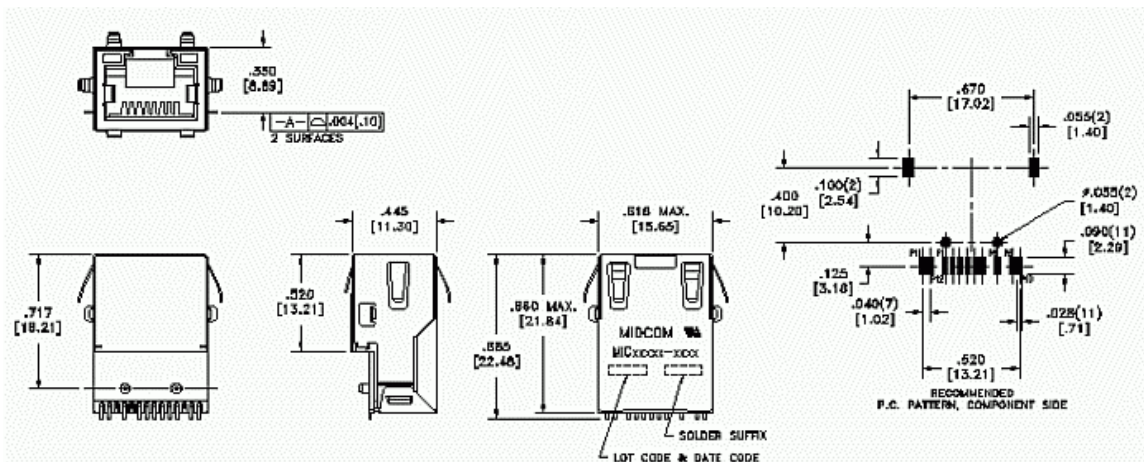


**Integrated RJ45
Surface Mount & Low Profile**

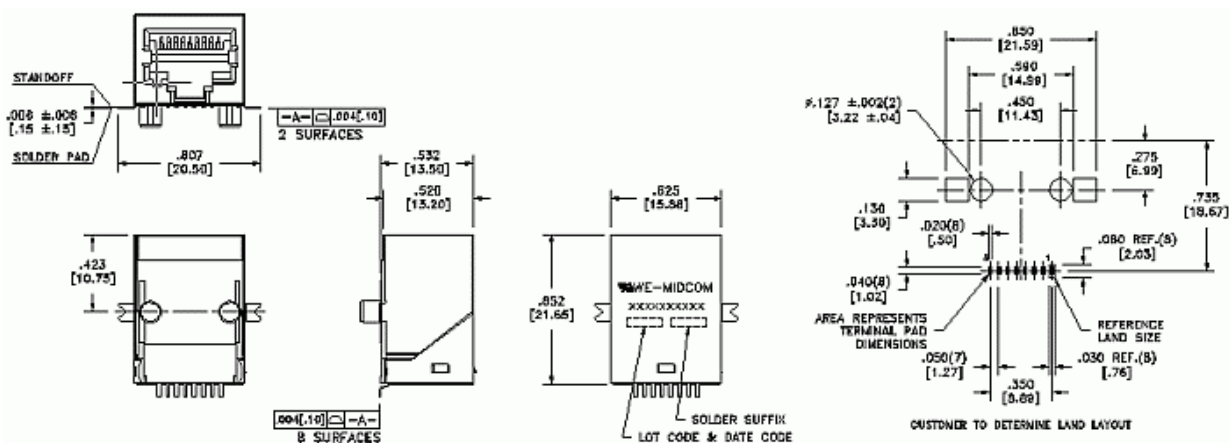
LANDatacom



Mechanical 2



Mechanical 3

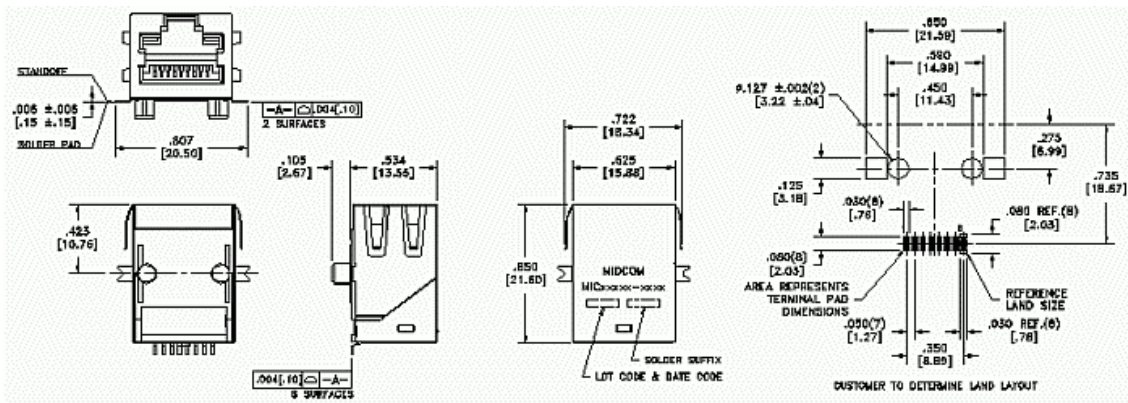


Mechanical 4

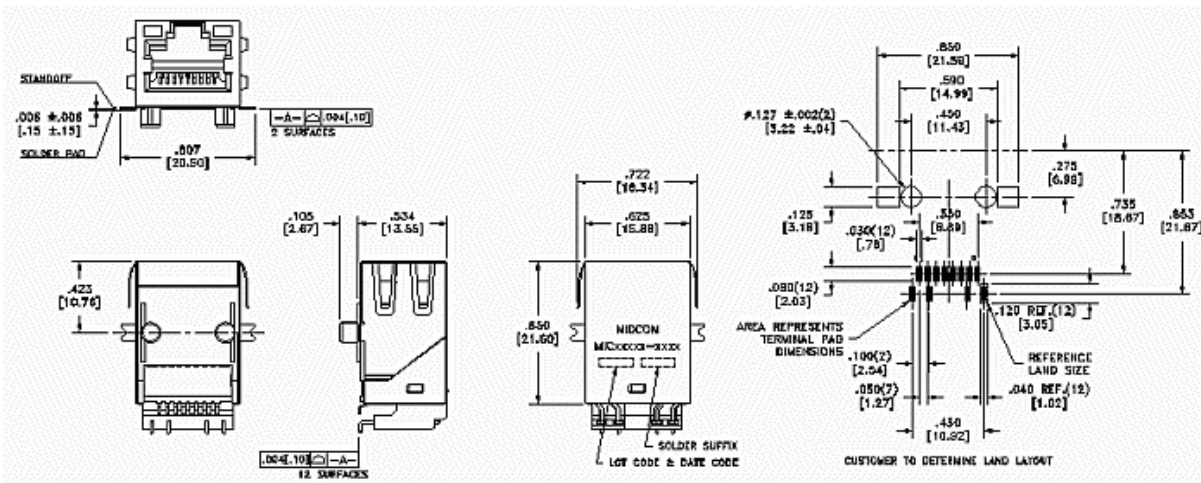


**Integrated RJ45
Surface Mount & Low Profile**

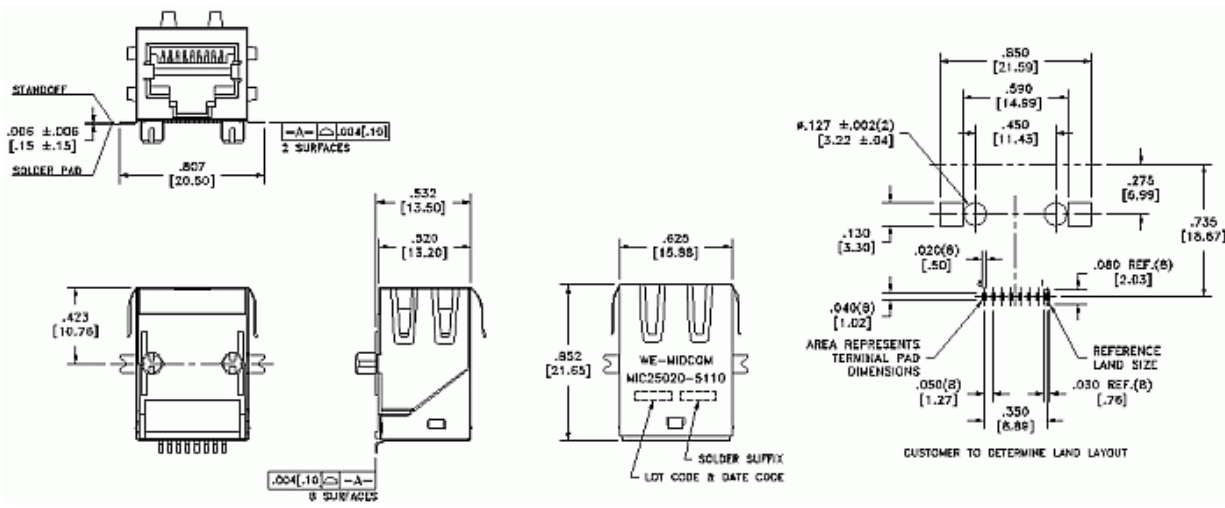
LANDatacom



Mechanical 5



Mechanical 6

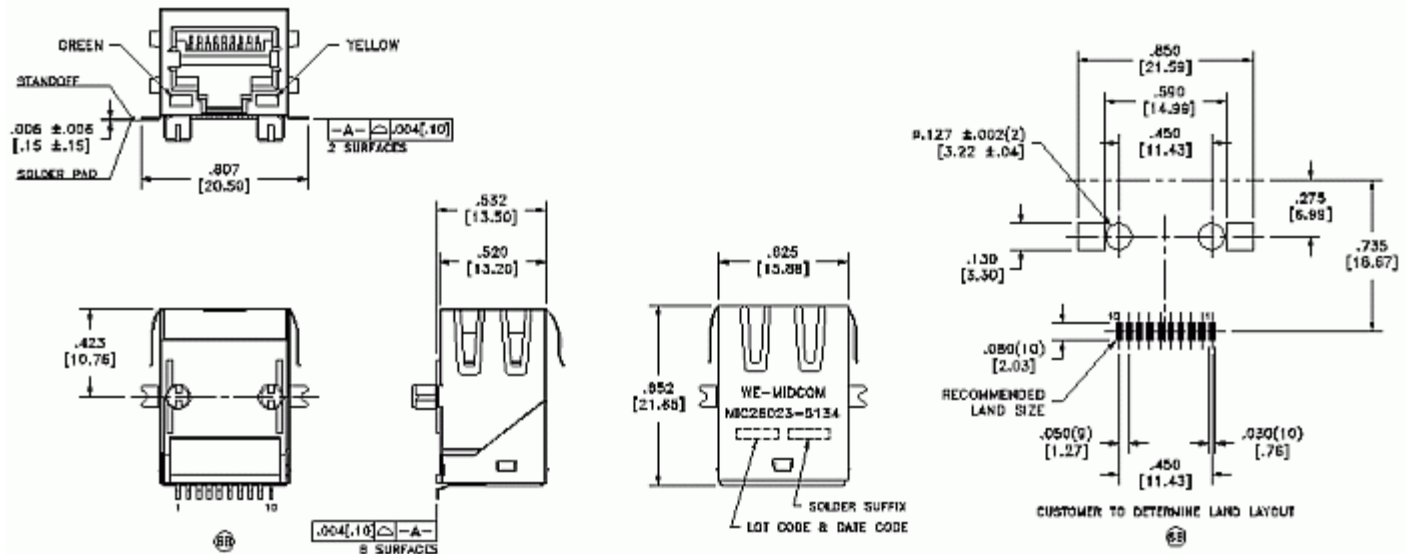


Mechanical 7

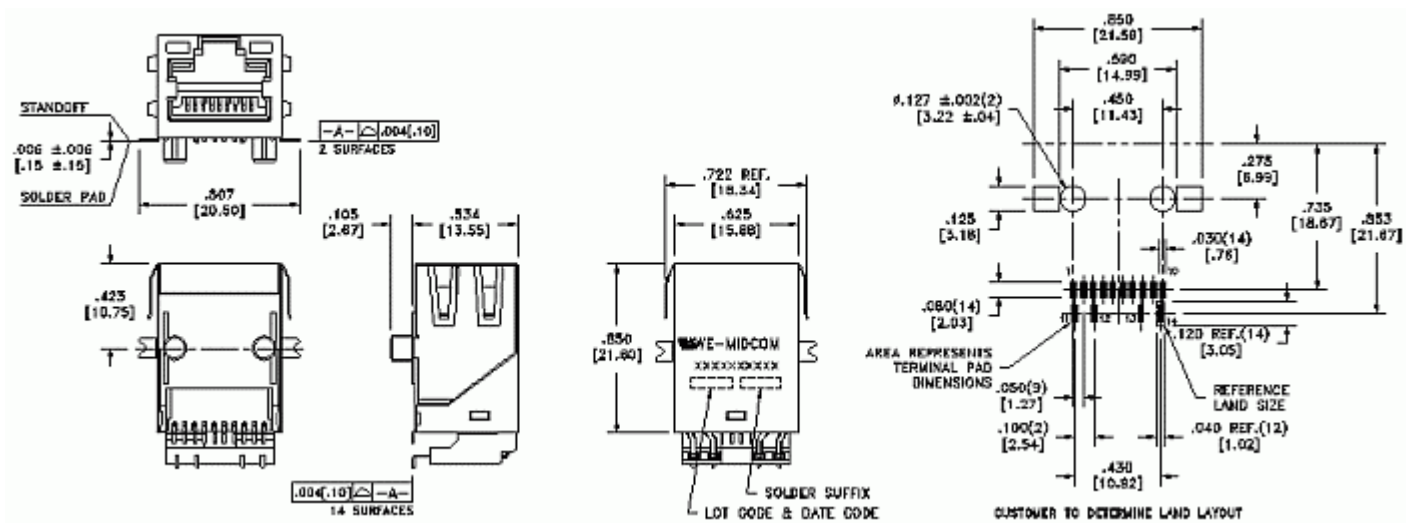


**Integrated RJ45
Surface Mount & Low Profile**

LANDatacom



Mechanical 8

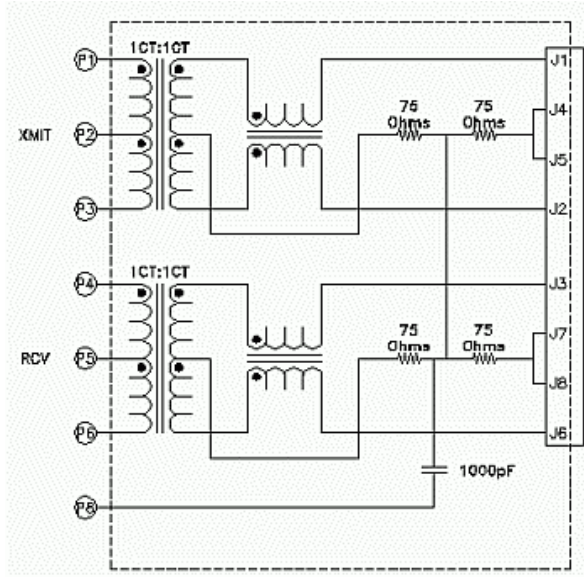


Mechanical 9

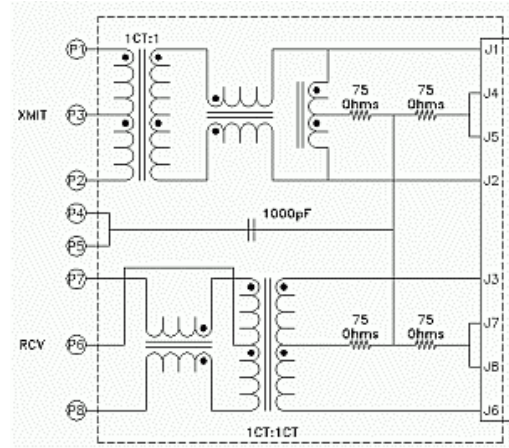
Integrated RJ45
Surface Mount & Low Profile



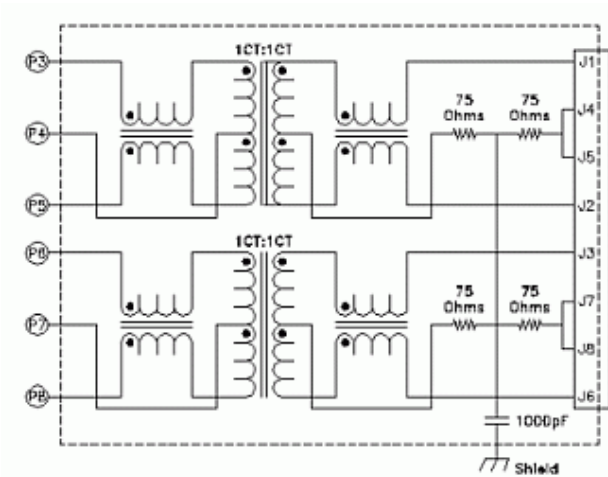
LANDatacom



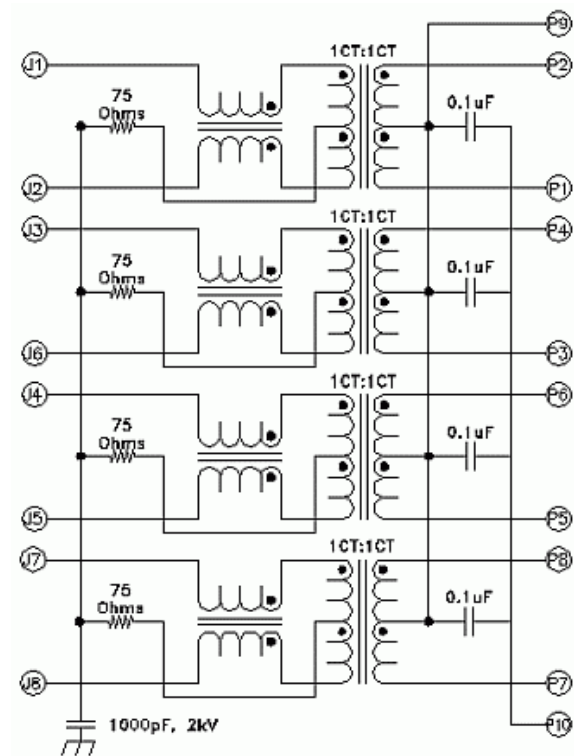
Schematic 1



Schematic 2



Schematic 3



Schematic 4