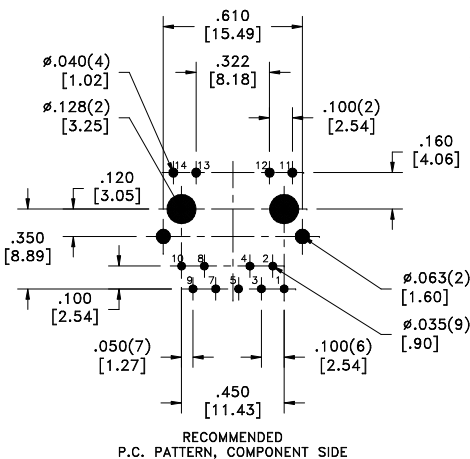
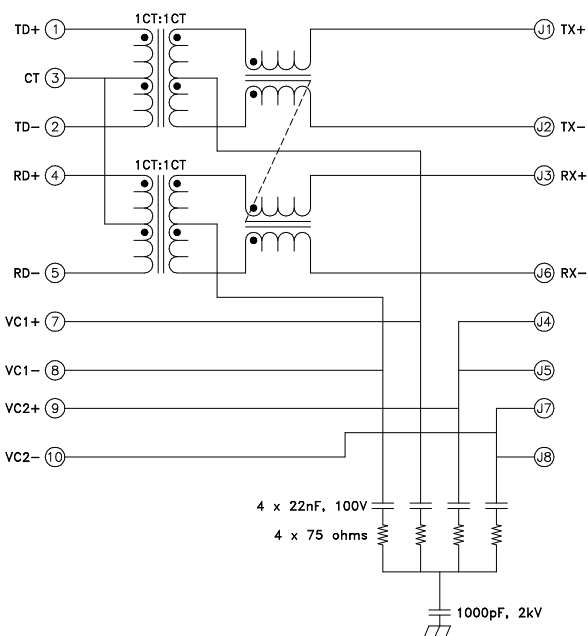
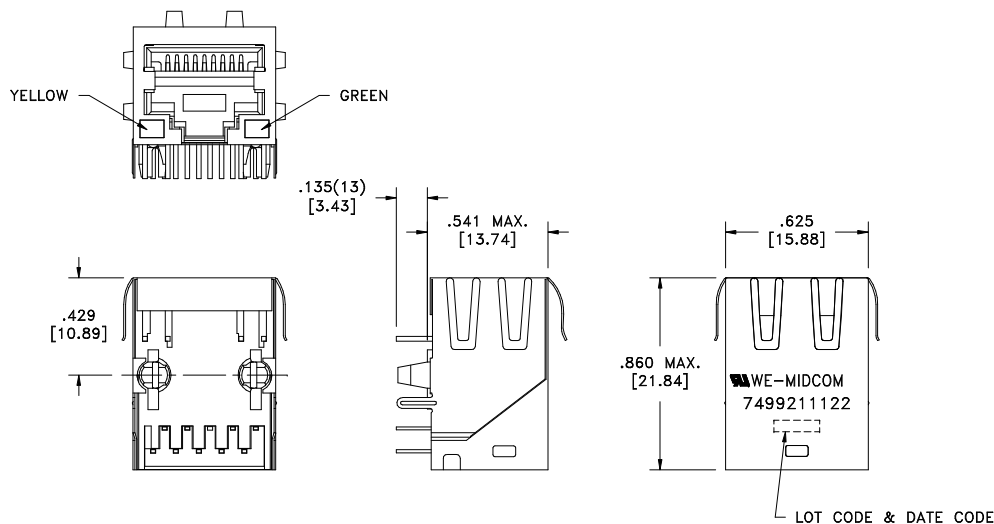


CUSTOMER TERMINAL	RoHS	LEAD(Pb)-FREE
Sn100%	Yes	Yes



ELECTRICAL SPECIFICATIONS @ 25°C unless otherwise noted:

PARAMETER	TEST CONDITIONS	VALUE
INDUCTANCE	J1-J2 100kHz, 100mVAC, 8mADC, Lp	350uH min.
INDUCTANCE	J3-J6 100kHz, 100mVAC, 8mADC, Lp	350uH min.
DIELECTRIC	P1-J1 -	1500Vrms, 1 minute
URNS RATIO	(P1-P2):(J1-J2)	1:1, ±2%
URNS RATIO	(P4-P5):(J3-J6)	1:1, ±2%
INSERTION LOSS	1M - 100MHz	-1.0dB max.
RETURN LOSS	1M - 30MHz	-18dB min.
RETURN LOSS	30M - 45MHz	-16dB min.
RETURN LOSS	45M - 60MHz	-14dB min.
RETURN LOSS	60M - 80MHz	-12dB min.
CROSSTALK	1M - 100MHz	-35dB min.
COMMON MODE REJECTION	1M - 100MHz	-30dB min.

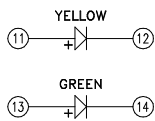


GENERAL SPECIFICATIONS:

OPERATING TEMPERATURE RANGE: 0°C to +70°C.

Designed to handle 350mADC and meet 802.3af.

REV.	DATE
6A	9/08



AGENCY NUMBER
UL60950-1 E205930

Packaging Specifications
 Method: Tube
 PKG-0524
 www.midcom-inc.com

Unless otherwise specified:
 Tolerances: Fractions: ±1/64
 Angles: ±1° Decimals: ±.010[.25]
 This drawing is dual dimensioned. Dimensions in brackets are in millimeters.

DRAWING TITLE
TRANSFORMER
 10/100Mbps & PoE
 eiSos p/n: 7499211122



DRAWING NO.
7499211122

REVISIONS: SEE SHEET 1

SCALE ---

SHEET 2 OF 6