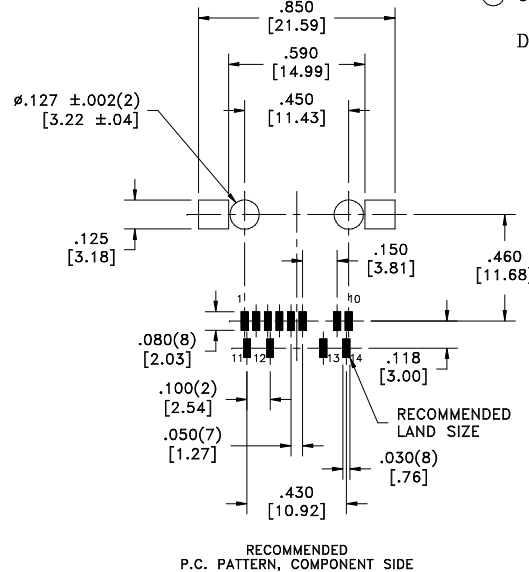
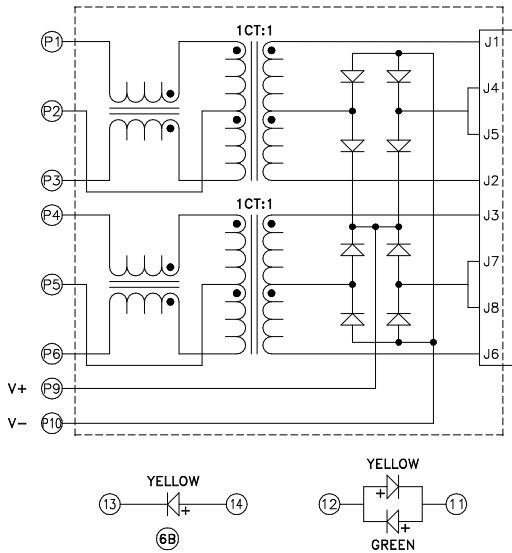
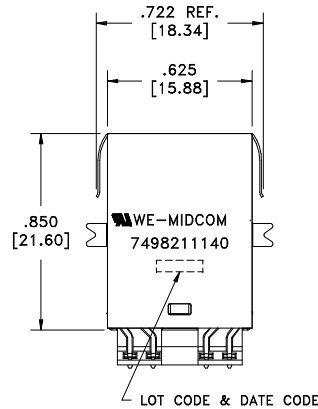
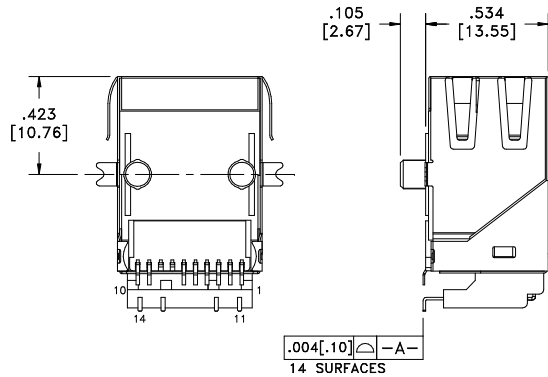
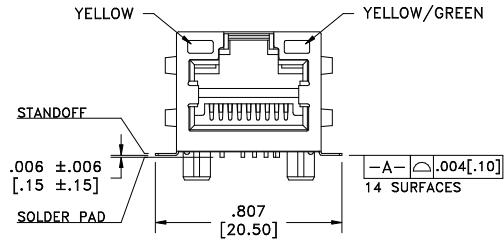


CUSTOMER TERMINAL	RoHS	LEAD(Pb)-FREE
Sn100%	Yes	No



ELECTRICAL SPECIFICATIONS @ 25°C unless otherwise noted:

PARAMETER	TEST CONDITIONS	VALUE	
INDUCTANCE	J1-J2	100kHz, 100mVAC, 8mADC, Ls	350uH min.
INDUCTANCE	J3-J6	100kHz, 100mVAC, 8mADC, Ls	350uH min.
DIELECTRIC	P1-J1	tie(P3+P4, J2+J3)	1500Vrms, 1 minute
TURNS RATIO		(P1-P3):(J1-J2)	1:1, ±2%
TURNS RATIO		(P4-P6):(J3-J6)	1:1, ±2%
INSERTION LOSS		1M - 100MHz	-1.0dB max.
RETURN LOSS		1M - 30MHz	-18dB min.
RETURN LOSS		30M - 45MHz	-16dB min.
RETURN LOSS		45M - 60MHz	-14dB min.
RETURN LOSS		60M - 80MHz	-12dB min.
CROSSTALK		1M - 100MHz	-30dB min.
COMMON MODE REJECTION		1M - 100MHz	-30dB min.

GENERAL SPECIFICATIONS:

6B OPERATING TEMPERATURE RANGE: -40°C to +85°C. (UL approved at 0°C to 70°C).

Designed to handle 350mADC and meet 802.3af.

6B MATERIAL AND FINISH:

Housing: Thermoplastic LCP Black per UL94 V-0  
Shield: Brass with semi-bright nickel plating  
Contact: Phosphor Bronze, base material  
Contact Plating: 100% tin plating with nickel underplating, 15u" gold plating on contact area

LED (Yellow): Frwd Voltage typ.: 2.1V  
Drive Current: 20mA  
Wave Length: 589nm typ.  
LED (Green): Frwd Voltage typ.: 2.2V  
Drive Current: 20mA  
Wave Length: 565nm typ.

RJ45 Jack cavity conforms to FCC rules and regulations Part 68.

REV.	DATE
6B	9/09
6A	11/08

AGENCY NUMBER	
UL60950-1	E205930

Packaging Specifications  
Method: Tray  
PKG-0547  
www.midcom-inc.com

Tolerances unless otherwise specified:  
Angles: ±1°      Decimals: ±.005 [.13]  
Fractions: ±1/64      Footprint: ±.005 [.13]  
This drawing is dual dimensioned. Dimensions in brackets are in millimeters.

DRAWING TITLE  
**TRANSFORMER**  
10/100Mbps & PoE  
eISos p/n: 7498211140



PART NO.  
**7498211140**