



bringing digital

[About us](#) | [Investor relations](#) | [News](#) | [Careers](#) | [Login](#) | [Legal](#) | [Site index](#) | [eNews](#) | [RSS feed](#)


Se

Home

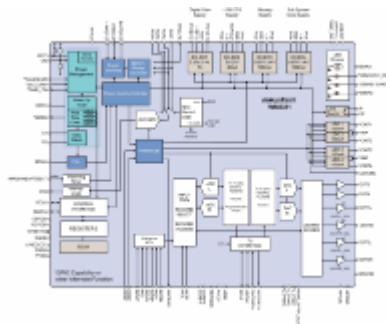
Products : Power Management

Fu

Products

WM8351 : Stereo CODEC with Integrated Power Management

PRIN

[DACs](#)[ADCs](#)[myZone™ ANC](#)[CODECs](#)[Audio Hubs](#)[Imaging ADCs](#)[S/PDIF Transceivers](#)[True Mics](#)[Power Management](#)[Audio Amplifiers](#)[Sonaptic Sound™](#)[Product archive](#)[Applications](#)[Technology](#)[Support](#)[Order online](#)[Samples online](#)[Advanced search](#)[Parametric search](#)[Contact us](#)[English](#)[日本語](#)[中文](#)[한국어](#)

## FEATURES

- ▶ **Stereo Hi-Fi CODEC**
- ▶ DAC SNR 95dB ('A' weighted @ 48kHz), THD -81dB
- ▶ ADC SNR 95dB ('A' weighted @ 48kHz), THD -83dB
- ▶ 40mW on-chip headphone driver with 'capless' option
- ▶ 16Ω headphone load: THD -72dB, Po = 20mW
- ▶ 2 differential microphone inputs with low-noise bias voltage and programmable preamps
- ▶ Programmable high-pass filter for ADC
- ▶ Microphone and Headphone detection
- ▶ Auxiliary inputs for analogue signals
- ▶ Sample rates: 8, 11.025, 16, 22.05, 24, 32, 44.1 or 48kHz
- ▶ **System Control**
- ▶ Support for 2-wire or 3-/4-wire Control Interface
- ▶ Handles power sequencing, reset signals and fault conditions
- ▶ Autonomous power source selection (battery, wall adaptor or USB bus)
- ▶ Total current drawn from USB bus is limited to comply with USB 2.0 standard and USB OTG supplement
- ▶ **Supply Generation**
- ▶ 1 x DC-DC Buck Converter (0.85V - 3.4V, Up to 1A)
- ▶ 2 x DC-DC Buck Converters (0.85V - 3.4V, Up to 500mA)
- ▶ 1 x DC-DC Boost Converter (5V - 20V, 40 to

## DESCRIPTION

The WM8351 is an integrated audio and power management subsystem which provides a cost effective, single-chip solution for portable audio and multimedia systems.

The integrated audio CODEC provides all the necessary functions for high-quality stereo recording and playback. Programmable on-chip amplifiers allow for the direct connection of headphones and microphones with a minimum of external components. A programmable low-noise bias voltage is available to feed one or more electret microphones. Additional audio features include programmable high-pass filter in the ADC input path.

The WM8351 includes four programmable DC-DC converters, four low-dropout (LDO) regulators and a current limit switch to generate suitable supply voltages for each part of the system, including the integrated audio CODEC as well as off-chip components such as a digital core and I/O supplies, and LED lighting. An additional on-chip regulator maintains the backup power for always-on functions. The WM8351 can be powered by a lithium battery, by a wall adaptor or USB.

An on-chip battery charger supports both trickle charging and fast (constant current, constant voltage) charging of single-cell lithium batteries. The charge current, termination voltage, and charger time-out are programmable to suit different types of batteries.

Internal power management circuitry controls the start-up and shutdown sequencing of clocks and supply voltages. It also detects and handles conditions such as under-voltage, extreme temperatures, and deeply discharged or defective batteries, with a minimum of software involvement. A programmable constant-current sink is available for driving LED strings, e.g. for display backlights or photo-flash applications, in a highly power-efficient way. Additional RGB LEDs can be driven through GPIO pins.

The WM8351 includes a 32.768kHz crystal oscillator,

PRI

Ord

Ord

DAT

WM

REL

WM

WM

WM

EVA

WM

APF

Wol

(11

WM

(42

WM

(29

WH

Mix

step

APF

Mok

PNI

PNI

PMI

- ▶ 200mA)
- ▶ 4 x LDO voltage regulators (0.9V - 3.3V, 150mA)
- ▶ **LED Drivers**
- ▶ Programmable constant-current sink, suitable for screen backlight or white LED photo flash
- ▶ 3 open-drain outputs for RGB LEDs
- ▶ **Battery Charger**
- ▶ Single-cell Li-Ion / Li-Pol battery charger
- ▶ Thermal protection for charge control; temperature monitoring available for thermal regulation
- ▶ LED outputs to indicate charge status and fault conditions
- ▶ **Additional Features**
- ▶ "Always on" RTC with wake-up alarm
- ▶ Watchdog timer
- ▶ Up to 13 configurable GPIO pins
- ▶ On-chip crystal oscillator and internal RC oscillator
- ▶ Low power FLL supporting wide range of input clocks
- ▶ 7x7mm, 129 BGA package, 0.5mm ball pitch

an internal RC oscillator, a real time clock (RTC) and an alarm function capable of waking up the system. Internal circuitry can generate all clock signals required to start up the device. The master clock for the audio CODEC can be input directly, or may be generated internally using an integrated, low power Frequency Locked Loop (FLL).

To extend battery life, fine-grained power management enables each function in the WM8351 to be independently powered down through the control interface. The WM8351 forms part of the Wolfson AudioPlus™ series of audio and power management solutions.



[Top](#)



[About us](#) | [Investor relations](#) | [News](#) | [Careers](#) | [Login](#) | [Legal](#) | [Site index](#)

©