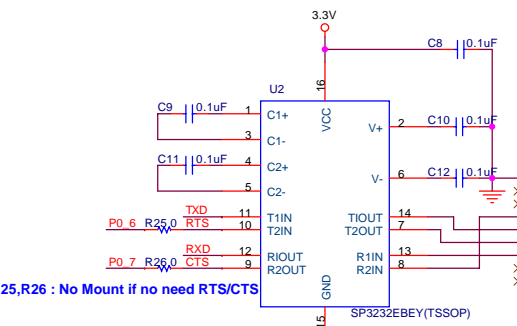
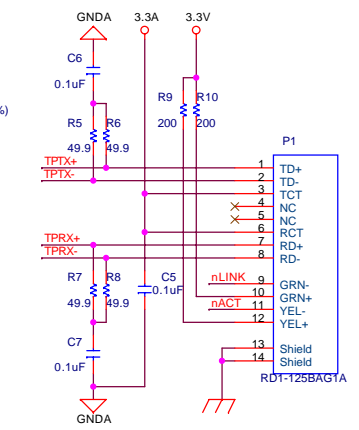
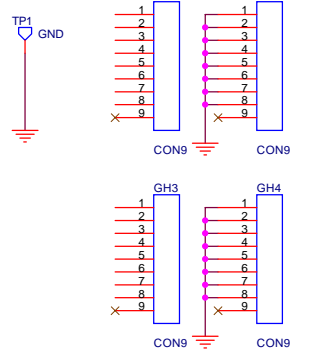
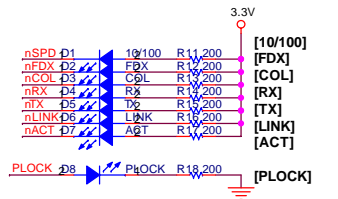
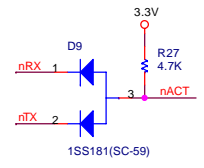
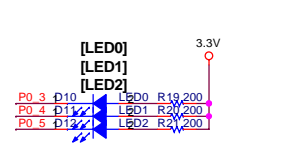
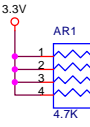
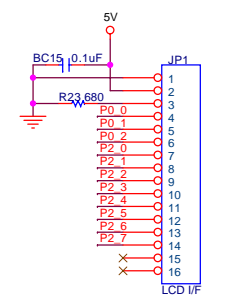
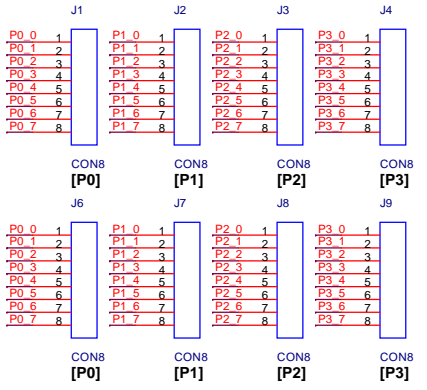


W7100

W7100 LQFP100



R25,R26 : No Mount if no need RTS/CTS



Title		iMCU7100API	
Size	Document Number		
CustomerDoc>			
Date:	Friday, July 24, 2009	Sheet	2 of 3
			1