

Data sheet

Commercial Art.No.: 25.350.3306.0

PCB pin header 8213 S / 3 G OB THR

PCB pin header, connection method depends on used socket part , 3 poles, with solder pin (2.6mm, tin plated), pitch: 5.08 mm, type of packing: carton, color: black, This product can be soldered by reflow and wave soldering,



Commercial Art.No.	25.350.3306.0
EAN	4015573868779
Order Unit	100

Certificates / Approvals



Technical data

General

Modular spacing	5.08 mm
Soldering process	THR
Packaging	Carton
Number of poles	3
Number of levels	1
Marking	No
Fastening	None

Technical data

Rated current	12 A
Overvoltage Category I	1000 V
Overvoltage Category II	400 V
Overvoltage Category III	250 V

Technical Data UL/CSA

Voltage UL	300 V
Current field wiring	15 A
Current factory wiring	15 A
Voltage CSA	300 V
Current CSA	15 A

Other

Type of insulation material	Thermoplastic
Color	black

Height	12 mm
Length	17.24 mm
Depth	8.4 mm
Material contact base	CuZn
Material contact surface	Sn

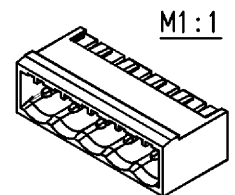
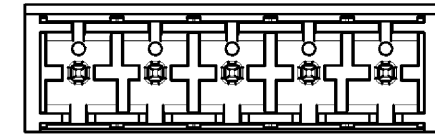
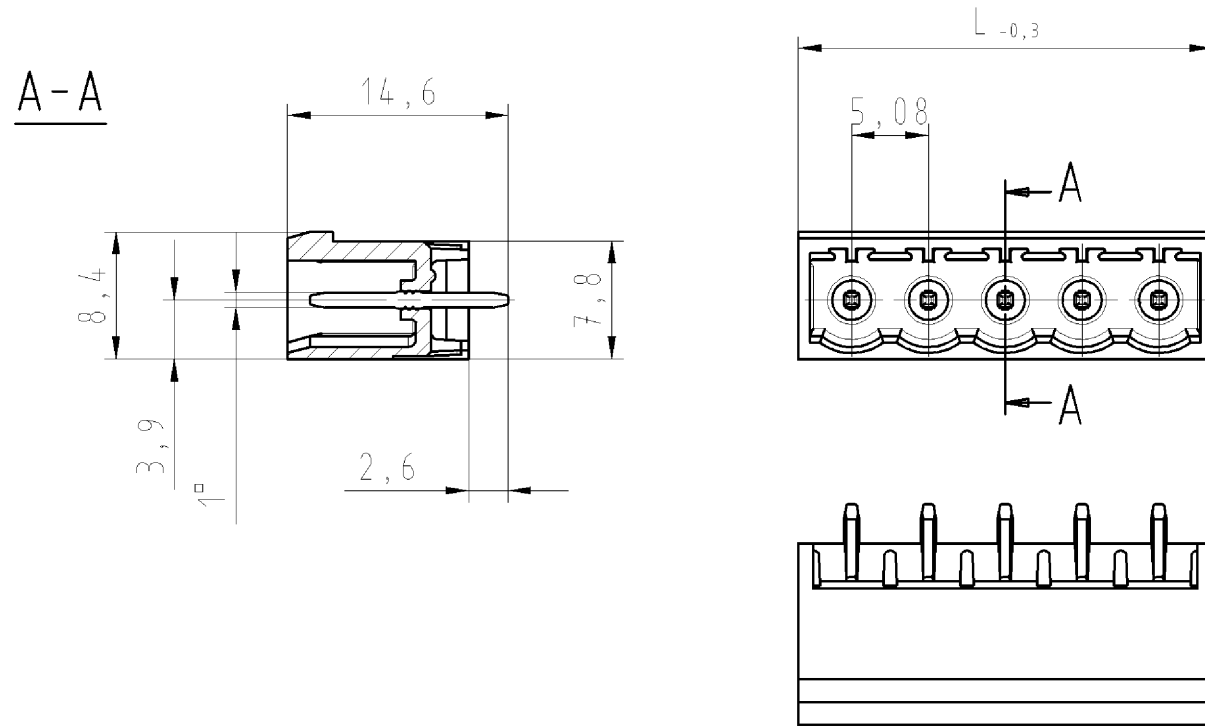
Classification

ECLASS 8.1	27440402
ETIM 7.0	EC002637
ETIM 6.0	EC002637
ETIM 5.0	EC002637
ETIM 4.0	EC002637

Product compliance

ROHS conformity status	Compliant
REACH-SVHC conformity status	Compliant

gezeichnete Ausführung 5-polig drawn version 5-poles



Teile-Nr. part-no.	Polzahl poles-no.	L-0,3	Tape on Reel
25.350.3206.0	2	12,16	25.350.3216.0
25.350.3306.0	3	17,24	25.350.3316.0
25.350.3406.0	4	22,32	25.350.3416.0
25.350.3506.0	5	27,40	25.350.3516.0
25.350.3606.0	6	32,48	25.350.3616.0
25.350.3706.0	7	37,56	25.350.3716.0
25.350.3806.0	8	42,64	25.350.3816.0
25.350.3906.0	9	47,72	25.350.3916.0
25.350.4006.0	10	52,80	25.350.4016.0
25.350.4106.0	11	57,88	25.350.4116.0
25.350.4206.0	12	62,96	25.350.4216.0
25.350.4306.0	13	68,04	X
25.350.4406.0	14	73,12	
25.350.4506.0	15	78,20	
25.350.4606.0	16	83,28	
25.350.4706.0	17	88,36	
25.350.4806.0	18	93,44	
25.350.4906.0	19	98,52	
25.350.5006.0	20	103,60	

Zulässige Abweichungen nach DIN 7167/Permissible deviations acc. to DIN 7167. (This DIN-standard describes the envelope principle. According to the envelope principle the deviations of form and parallelism are limited by the size tolerances).				ja/yes <input checked="" type="checkbox"/> Stoffverbots- und Deklarationsliste nach UU-TQM-05/03 ist einzuhalten. List of banned and declarable substances according to Wieland document e-UU-TQM-05/03 is to obey.			
Freitoleranz nach General tolerance		CAD - Zeichnung, keine manuellen Änderungen CAD - drawing, no manual modifications allowed		1. Verwendung: First Use:		Blatt: 1 von 1 Sheet: of 1	
/		Werkstoff/Material		2010 Tag/Date Name		Zeichnung Nr./Drawing No. Index	
/				gezeichnet drawn 24.03. Morgen		T 25.350.3206.0 01K	
/		Maßstab/Scale		geprüft checked - -			
/		2:1		Nicht gepr. Stand. check - -			
/		Vol. mm ³ Öl./Surf. mm ²		Ersatz für/Replacement for: -			
/		wieland		Type		Benennung/Title	
/				8213		LP_STIFTLISTE	
Index Datum / Blatt Date / Sheet		Elektrische Verbindungen		S/.. THR		PCB header Rastermaß 5,08 /pitch 5,08	
Änderung/Revision							

These dimensions will be especially checked at delivery
Only inspection dimensions
Mit/FE marked dimensions are only valid for internal use

Diese Maße werden bei Abnahme besonders geprüft
Ausschließlich Prüfmaße
Mit/FE gekennzeichnete Maße sind nur für interne Zwecke gültig

Weitergabe sowie Vervielfältigung dieses Dokuments, Verwertung und Mitteilung seines Inhalts sind verboten, soweit nicht ausdrücklich gestattet.
The reproduction, distribution and utilization of this document as well as the communication of its contents to others without express authorization is prohibited.

253503206001K_4_CAD/2010 Morgen 2010-03-24T08:38:29 1.000