

Data sheet

Commercial Art.No.: 25.151.0353.0

Printed circuit board terminal 8390 / 3 OB

PCB terminal with screw connection with rising cage clamp system, 3 poles, with solder pin (3.5mm), max. cross section: 2.5 mm², pitch: 7.5 mm, type of packing: carton, color: grey



Commercial Art.No.	25.151.0353.0
EAN	4049088597879
Order Unit	100

Certificates / Approvals



Technical data

General

Modular spacing	7.5 mm
Connection type	Screw connection
Soldering process	Wave soldering
Packaging	Carton
Number of poles	3
Conductor to circuit board	180°
Number of levels	1
Integrated test socket	Yes
Insulation plate	No
Retaining pins	No
Marking	No

Technical data

Nominal cross section	2.5 mm ²
Rated current	16 A
Overvoltage Category I	1000 V
Overvoltage Category II	1000 V
Overvoltage Category III	500 V
Rated impulse voltage	6 kV
Wire strip length	6.5 mm

Connection Data

Minimum cross section solid	0.14 mm ²
Maximum cross section solid	4 mm ²

Minimum cross section fine stranded	0.14 mm ²
Maximum cross section fine stranded	2.5 mm ²
Wire strip length	6.5 mm

Technical Data UL/CSA

Cross section UL	22-12 AWG
Voltage UL	300 V
Current field wiring	15 A
Current factory wiring	15 A
Cross section CSA	22-14 AWG
Voltage CSA	300 V
Current CSA	10 A

Other

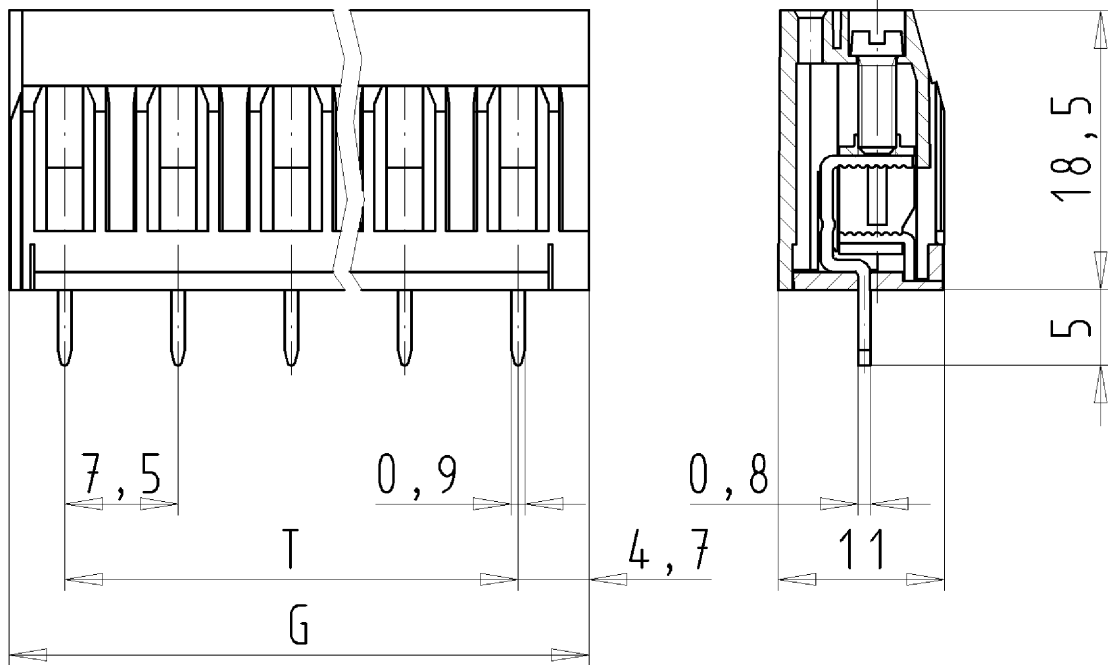
Type of insulation material	Thermoplastic
Color	Grey
Height	18.5 mm
Length	23.36 mm
Depth	11 mm
Material attachment screw	Steel
Material contact base	E-Cu
Material contact surface	Sn

Classification

ECLASS 11	
ECLASS 8.1	27440401
ETIM 7.0	EC002643
ETIM 6.0	EC002643
ETIM 5.0	EC002643
ETIM 4.0	EC002643

Product compliance

ROHS conformity status	Compliant
REACH-SVHC conformity status	Compliant



für folgende Tabellen-Zchnng.:

25.151.1253.0 8390/.. 0B

LP.KLEMME

25.151.1253.0 10W

23.10.2007 TRE

M 2:1