



## Data sheet

Commercial Art.No.: 21.341.6053.0

Europe terminal strip 16E / 10 DS

Europa terminal strips with wire protection, 9-pole, nominal cross section: 10mm<sup>2</sup>, width: 13.5mm, rated voltage: 500V, color: white



Commercial Art.No.	21.341.6053.0
EAN	4015573165663
Order Unit	20

Certificates / Approvals



## Technical data

### Classification

ECLASS 11	
ECLASS 8.1	27141106
ETIM 7.0	EC001284
ETIM 6.0	
ETIM 5.0	EC001284
ETIM 4.0	EC001284
ETIM 3.0	EC001284

### Technical data

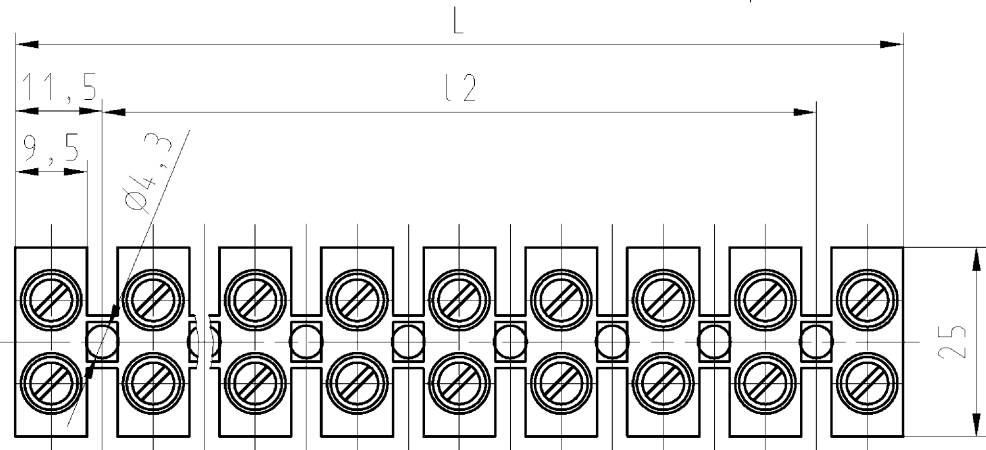
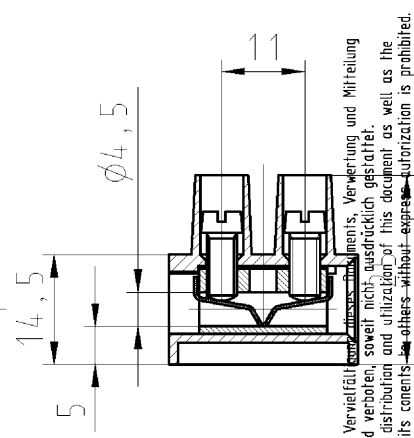
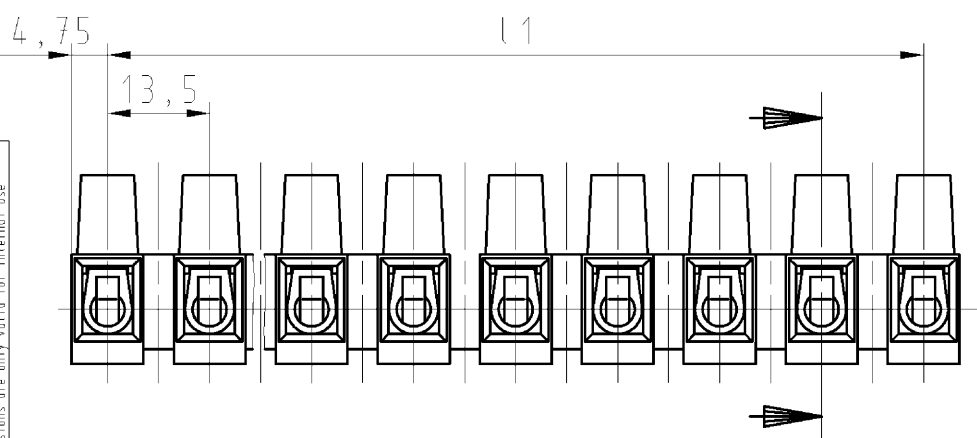
Drill hole distance centrally	13.5 mm
Rated current I <sub>n</sub>	41 A
Rated voltage	500 V
Type of electrical connection 1	Screw connection
Model electrical connection 2	Screw connection
Number of poles	10
Number of clamp positions per pole	2
Mounting method	Direct mounting
Inflammability class of insulation material acc. with UL94	V2
Width	131 mm
Rastermaß	13.5 mm
Height NS 35/7,5	17.3 mm
Length	25 mm
End plate necessary	No
Color	Grey
Transparent	No

### Product compliance

ROHS conformity status	Compliant
REACH-SVHC conformity status	Compliant

These dimensions will be especially checked at delivery  
Only inspection dimensions  
With /E marked dimensions are only valid for internal use

Diese Maße werden bei Abnahme besonders geprüft  
Ausschließlich Prüfmaße  
Mit /E gekennzeichnete Maße sind nur für interne Zwecke gültig



Weitergabe sowie Vervielfältigung, Verbreitung, und Mitteilung seines Inhalts sind verboten, soweit nicht ausdrücklich gestattet. Die Reproduktion, Distribution und Utilization of this document as well as the communication of its contents to others without express authorization is prohibited.

Teile-Nr. part number	Typ type	L	l1	l2
21.341.51MM.0	16E / 1 DS ..	9,5	---	---
21.341.52MM.0	16E / 2 DS ..	23,0	1x13,5= 13,5	---
21.341.53MM.0	16E / 3 DS ..	36,5	2x13,5= 27,0	1x13,5= 13,5
21.341.54MM.0	16E / 4 DS ..	50,0	3x13,5= 40,5	2x13,5= 27,0
21.341.55MM.0	16E / 5 DS ..	63,5	4x13,5= 54,0	3x13,5= 40,5
21.341.56MM.0	16E / 6 DS ..	77,0	5x13,5= 67,5	4x13,5= 54,0
21.341.57MM.0	16E / 7 DS ..	90,5	6x13,5= 81,0	5x13,5= 67,5
21.341.58MM.0	16E / 8 DS ..	104,0	7x13,5= 94,5	6x13,5= 81,0
21.341.59MM.0	16E / 9 DS ..	117,5	8x13,5=108,0	7x13,5= 94,5
21.341.60MM.0	16E / 10 DS ..	131,0	9x13,5=121,5	8x13,5=108,0
21.341.62MM.0	16E DS ..	158,0	11x13,5=148,5	10x13,5=135,0

MM	Material	Farbe/colour	Typ/type
53	PA 6	natur	
57	PA6 UL 94 V-2 GWT 750	reinweiß ähnl. RAL 9010 pure white sim. RAL 9010	..GW

Weitere Daten siehe Katalog  
further data see catalog

Tolerierung nach DIN 7167/Tolerance system acc. to DIN 7167.  
(This DIN-standard describes the envelope principle. According to the envelope principle the deviations of form and parallelism are limited by the size tolerances).

ja/yes  Stoffverbots- und Deklarationsliste nach UU-TQM-05/03 ist einzuhalten.  
Conformity with Wieland document UU-TQM-05/03 (list of prohibited / declarable hazardous substances) to be declared!

Freitoleranz nach General tolerance

CAD - Zeichnung, keine manuellen Änderungen  
CAD - drawing, no manual modifications allowed

1.Verwendung: -  
First Use:

Blatt: 1 von 1  
Sheet: of 1

Index	Datum / Blatt Date / Sheet	Werkstoff/Material	2011	Tag/Date	Name	Zeichnung Nr./Drawing No.	Index
			gezeichnet drawn	13.07.	Schmitt J.		
Änderung/Revision	Maßstab/Scale	Vol.	mm³	Dfl./Surf.	mm²	Ersatz für/Replacement for: -	Maße in mm/Dimensions are in mm
		Type		Benennung/Tittle		<b>EUROPAKLEMME</b> 6qmm mit/with DS divisible Europa terminal strips	
		16E/ ..		DS			

213415157001K\_2 CADW2035 Schmitt 2011-07-13T10:28:51 1:000