



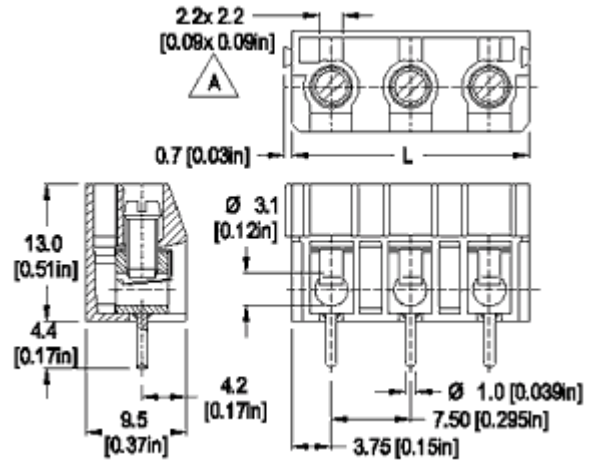
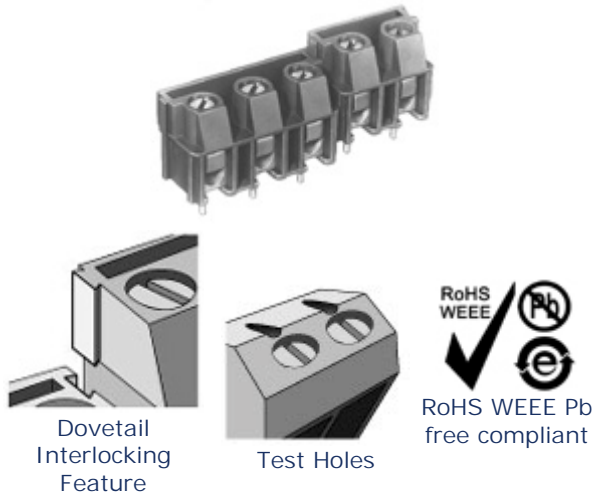
Screw Connectors for Printed Circuit Boards

TYPE 977-T (-DS)

7.5 mm spacing - 2 and 3 poles



Distributor Stock Check



Dimensions: mm (in.)

Length of Connector (L)
 L = No. of Poles x Center to Center Spacing
 (A) Test hole

When locating connector, allow 0.5 mm clearance around it for process-induced variations.

Description

- Dovetail version
- Wire entrance parallel to PC Board
- With test holes
- Can be factory, field or distributor assembled to almost any length

Technical Data

Center to Center Spacing: 7.5 mm (0.295 in.)
 Nominal Cross Section:
 2.5 mm² (3874 mils²)
 Wire Stripping Length: 7 mm (0.28 in.)
 Recommended Hole Diameter in PC Board:
 1.3 mm (0.051 in.)

Approval Information

UL File No.E69841
 CSA File No.LR24322

Rating	Current(A)	Voltage(V)	Application group	AWG
UL	15	300	B,C	26-12
CSA	15	300	B,D,E	22-10

* Version DS is CSA certified for 26-10 AWG.
 UL: 24-26 AWG range for factory wiring only.

Screw Tightening Torque:

UL: 4.5 lbf·in
 CSA: 0.51 Nm

International Approvals:



