



Screw Connectors for Printed Circuit Boards

TYPE 971-LH (-DS)

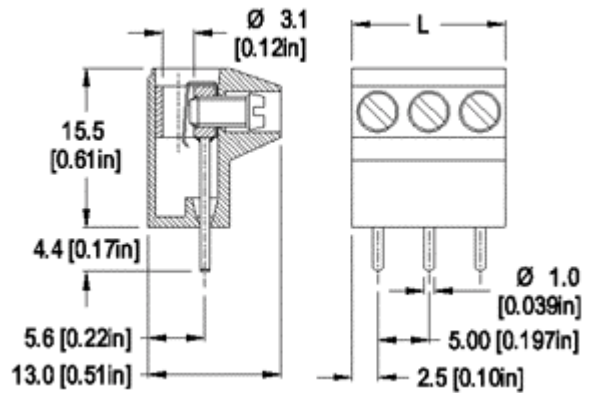
5 mm spacing - 2 to 12 poles



Distributor Stock Check



RoHS WEEE Pb free compliant



Dimensions: mm (in.)

Length of Connector (L)
L = No. of Poles x Center to Center Spacing

When locating connector, allow 0.5 mm clearance around it for process-induced variations.

Description

Types 971-LH terminal blocks have been specially designed to allow effective potting of PC boards. The molding design prevents seepage of the potting material into the wire clamping area.

- Wire entrance perpendicular to PC Board
- Straight PCB pin

Technical Data

Center to Center Spacing: 5 mm (0.197 in.)

Nominal Cross Section:

2.5 mm² (3874 mils²)

Wire Stripping Length: 5 mm (0.197 in.)

Recommended Hole Diameter in PC Board:

1.3 mm (0.051 in.)

Approval Information

UL File No. E69841

CSA File No. LR24322

| Rating | Current(A) | Voltage(V) | Application group | AWG |
|--------|------------|------------|-------------------|-------|
| UL | 20 | 300 | B,C,D | 26-12 |
| CSA | 15 | 300 | B,D,E | 22-10 |

* Version DS is CSA certified for 26-10 AWG.
UL: 26-24 AWG is for factory wiring only

Screw Tightening Torque:

UL: 4.5 lbf·in

CSA: 0.51 Nm

Rated Impulse Withstand Voltage: 2500 V

Illustration

Material

