



Plug-in Screw Connector System for Printed Circuit Boards

TYPE 971-FBWP

5 mm spacing - 2 to 12 poles



Distributor Stock Check



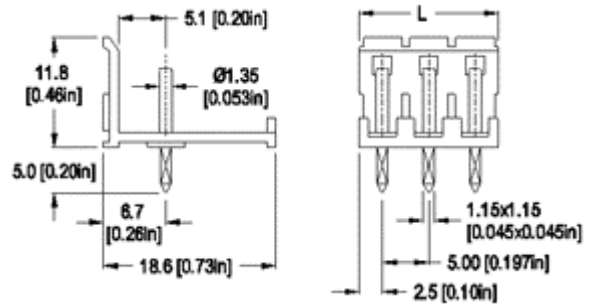
971-FBWP



One possible variation of assembly



RoHS WEEE Pb free compliant



Dimensions: mm (in.)

Length of Connector (L)

L = No. of Poles x Center to Center Spacing

When locating connector, allow 0.5 mm clearance around it for process-induced variations.

Approval Information

UL File No.E69841

CSA File No.LR24322

Rating	Current(A)	Voltage(V)	Application group	AWG
UL	20	300	B,D	
CSA	10	300	B,D,E	

Description

Type 971-FBWP header feature a more secure and reliable connection by means of interlocking tabs. This product is recommended for applications which require additional plug to header retention, or in high vibration areas.

- Header
- Plug-In Direction Perpendicular to PCB and Wire Entrance Parallel to PCB when plugged with 970-NFBW (-DS)
- End-to-end stackable while maintaining the 5 mm spacing.

Material

Molding: Polyamide, UL 94, V-2, color grey

Temperature limits:

Short Time: 140°C (284°F)

Continuous: RTI 105°C (221°F)

Low Limit: -40°C (-40°F)

Comparative Tracking Index: CTI > 175
Oxygen Index Rating: 25%

Technical Data

Center to Center Spacing: 5 mm (0.197 in.)
Recommended Hole Diameter in PC Board:
1.5 mm (0.059 in.)

Solder Pin: Pin diameter on plug-in side: 1.3 mm
(0.051 in.), Tin plated copper alloy

Item

971-FBWP

Options

- CN: Consecutive Numbering (hot stamped numbers)
- SM: Special Marking (please provide sketch)
- G05: Gold Plating (5 micro inches)
- G30: Gold Plating (30 micro inches)
- S30: Silver Plating (30 micro inches)

Note: Plated component: solder pin

Accessories

971-FBWP/

POLES:
02 to 12